

# How To Use This Manuals

## HOW TO USE THIS MANUALS

---

### **1. How To Use This Manuals**

#### **A: HOW TO USE THIS MANUALS**

##### **1. STRUCTURE**

Each section consists of SCT that are broken down into SC that are divided into sections for each component. The specification, maintenance and other information for the components are included, and the diagnostic information has also been added where necessary.

##### **2. INDEX**

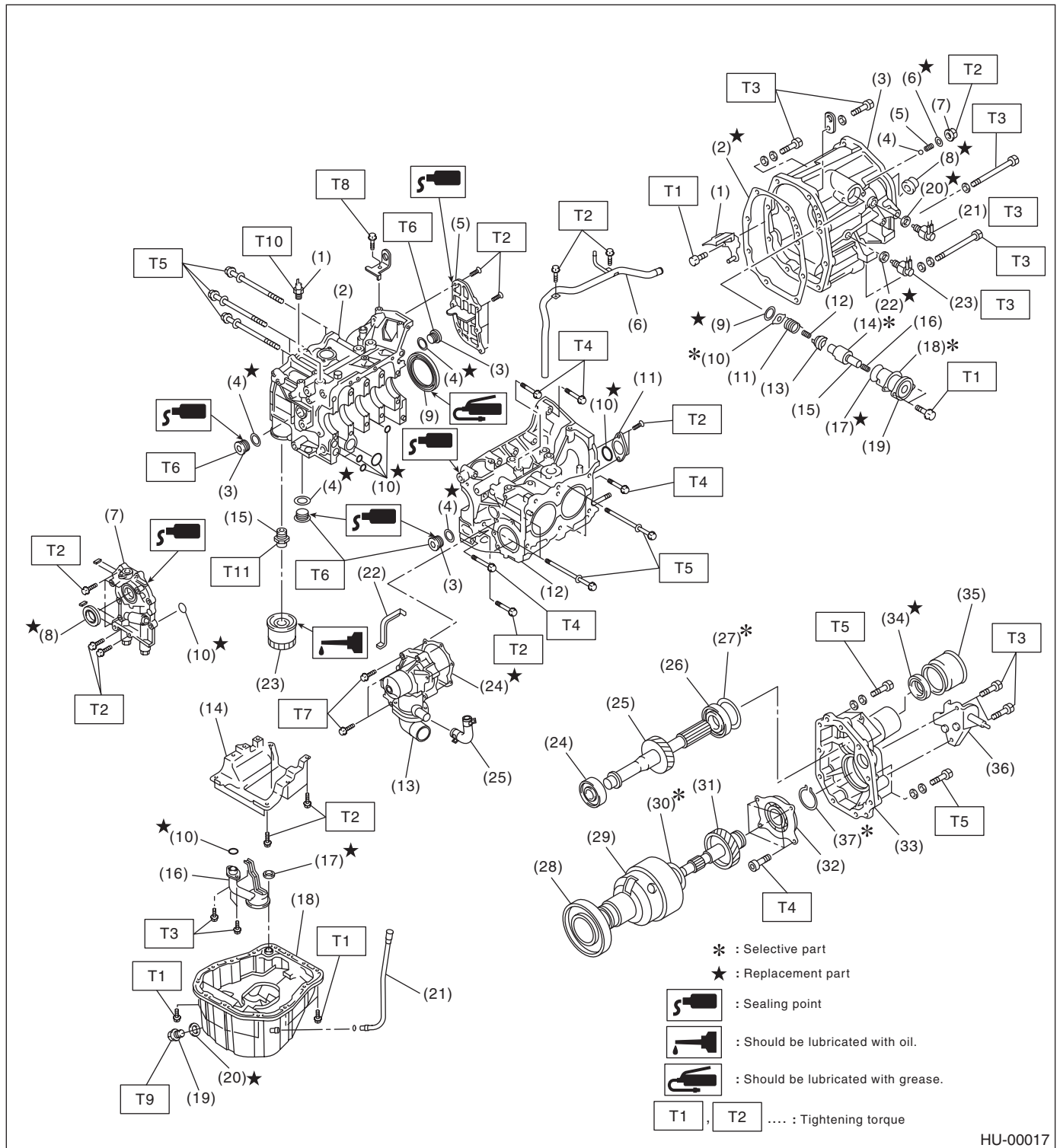
The first page has an index with tabs.

### 3. COMPONENT

Illustrations are provided for each component. The information necessary for repair work (tightening torque, grease up points, etc.) is described on these illustrations. Information is described using symbol.

To order parts, refer to parts catalogue.

**Example:**



HU-00017

# How To Use This Manuals

## HOW TO USE THIS MANUALS

### 4. SPECIFICATION

If necessary, specifications are also included.

### 5. INSPECTION

Inspections to be carried out before and after maintenance are included.

### 6. MAINTENANCE

- Maintenance instructions for serviceable parts describe work area and detailed step with illustration. It also describes the use of special tool, tightening torque, caution for each procedure.
- If many serviceable parts are included in one service procedure, appropriate reference is provided for each parts.

**Example:**

## 15. Main Shaft Assembly for Single-Range ← (A)

### A: REMOVAL ← (B)

1) Remove the manual transmission assembly from vehicle. <Ref. to MT-33, REMOVAL, Manual Transmission Assembly.> ← (C)

11) Tighten the lock nuts to the specified torque using ST1 and ST2.

**NOTE:** ← (D)

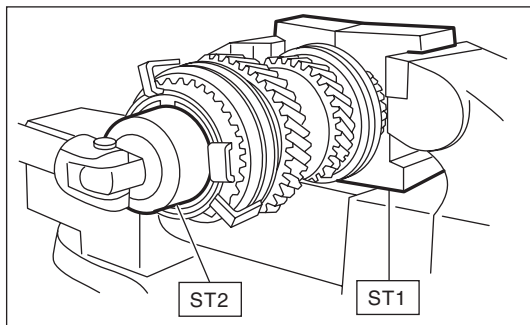
Secure the lock nuts in two Places after tightening.

ST1 498937000 TRANSMISSION HOLDER

ST2 499987003 (E) SOCKET WRENCH (35) (F)

**Tightening torque:**

**118 N·m (12.0 kgf-m, 86.8 ft-lb) ← (G)**



HU-00020

(A) Component

(B) Process

(C) Reference

(D) Cautions

(E) Tool number of special tool

(F) Name of special tool

(G) Tightening torque

(H) Illustration

## 7. DIAGNOSIS

Tables showing a step-by-step process make it easy to conduct diagnosis.

## 8. SI UNITS

Measurements in these manuals are according to the SI units. Metric and yard/pound measurements are also included.

### Example:

*Tightening torque:*

*44 N·m (4.5 kgf-m, 33 ft-lb)*

# How To Use This Manuals

HOW TO USE THIS MANUALS

---