

25. Tire Rotation

A: INSPECTION

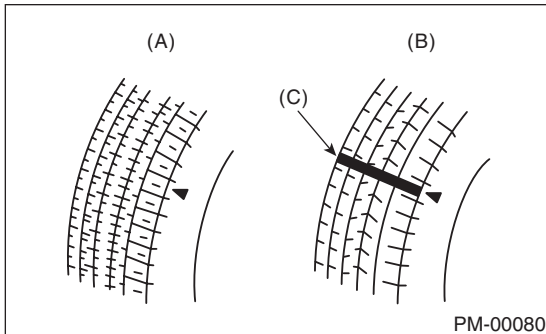
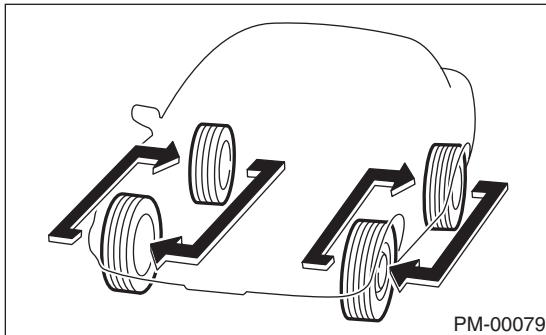
1) If the depth of tread is less than 1.6 mm (0.063 in), or the tread wear indicator has appeared across the tire tread, replace the tire.

CAUTION:

Replace the left and right sides at the same time.

2) If unevenly worn, adjust the alignment.

3) To make tire wear uniform, rotate the front and rear tires as shown in the figure below every 12,500 km (7,500 miles).



- (A) New tread
- (B) Worn tread
- (C) Tread wear indicator