

ATTENTION:

GENERAL MANAGER PARTS MANAGER
 CLAIMS PERSONNEL SERVICE MANAGER

IMPORTANT - All Service Personnel Should Read and Initial

SUBARU



SERVICE BULLETIN

APPLICABILITY: 2002MY Impreza WRX
SUBJECT: Fuel Smell in Cold Weather

NUMBER: 09-36-03
DATE: 04/01/03

INTRODUCTION

Some 2002 model Impreza WRX (2.0L Turbo) may experience a fuel smell in cold weather (temperature < 14°F) from the rubber hose connector, located under the intake manifold, between two direct fuel-feed metal lines to the injectors.

REPAIR

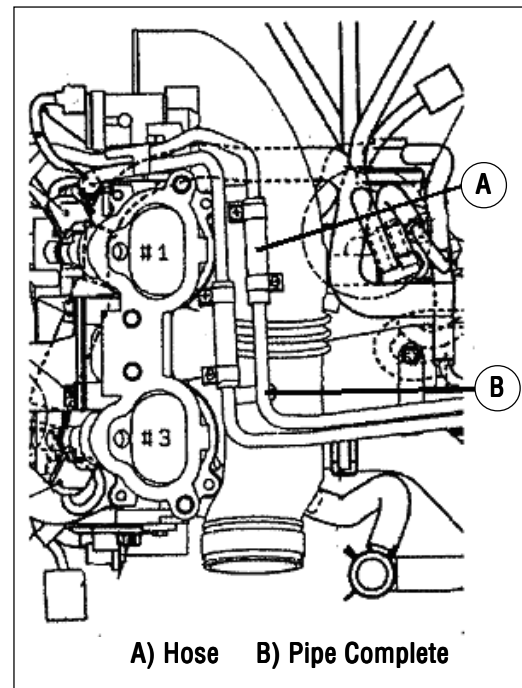
The changing of the pipe and hose size was adopted, starting with engine number 673467 to better align the two fuel lines. This was accomplished by shortening the fuel pipe and lengthening the hose both by 30mm. To complete this service procedure, you must replace the fuel pipe assembly and hose as a set.

Follow the service procedure in the appropriate service manual to remove the intake manifold from the vehicle.

PARTS

Replace the pipe and hose as a set.

PART NUMBER	DESCRIPTION
17544AA134	Pipe complete (30mm shorter than Old one)
807707140	Hose (30mm longer than Old one)



CAUTION: VEHICLE SERVICING PERFORMED BY UNTRAINED PERSONS COULD RESULT IN SERIOUS INJURY TO THOSE PERSONS OR TO OTHERS.

Subaru Service Bulletins are intended for use by professional technicians ONLY. They are written to inform those technicians of conditions that may occur in some vehicles, or to provide information that could assist in the proper servicing of the vehicle. Properly trained technicians have the equipment, tools, safety instructions, and know-how to do the job correctly and safely. If a condition is described, DO NOT assume that this Service Bulletin applies to your vehicle, or that your vehicle will have that condition.

