

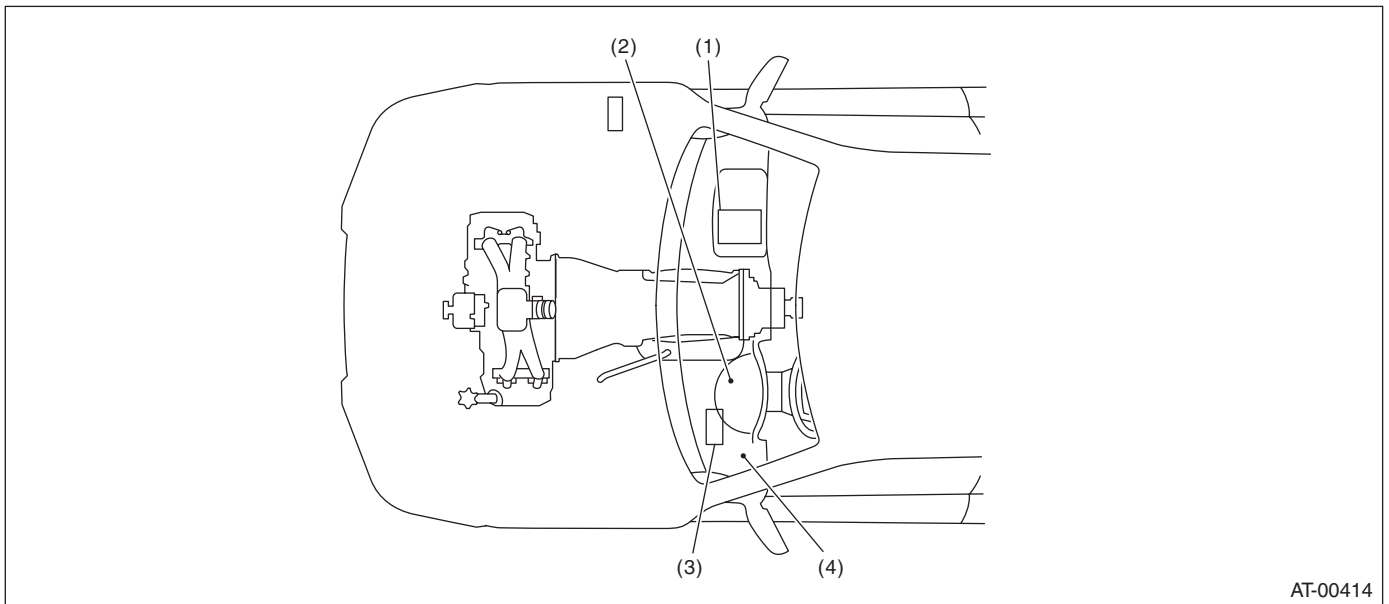
Electrical Component Location

AUTOMATIC TRANSMISSION (DIAGNOSTICS)

4. Electrical Component Location

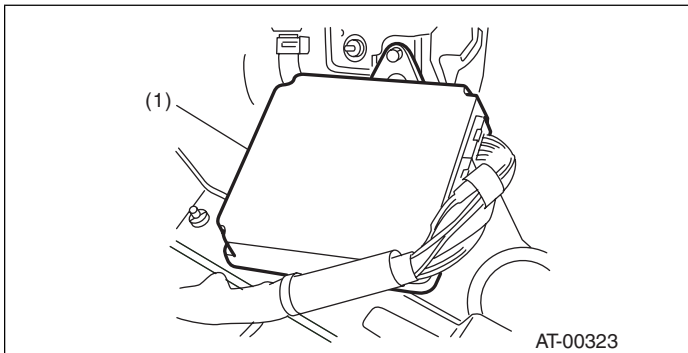
A: LOCATION

1. CONTROL MODULE

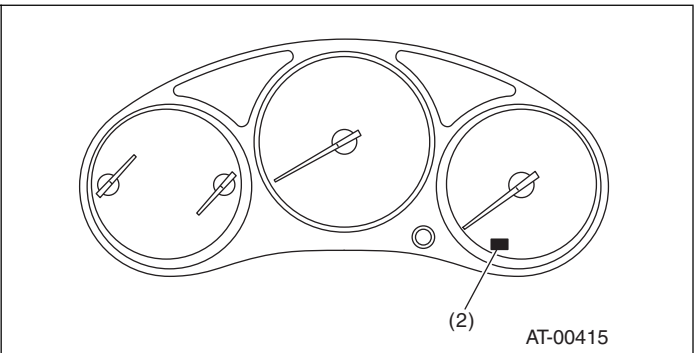


AT-00414

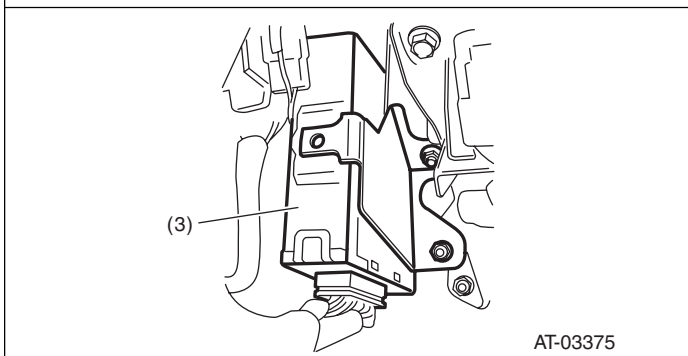
- (1) Engine control module (ECM)
- (2) AT OIL TEMP warning light (AT diagnostic indicator light)
- (3) Transmission control module (TCM)
- (4) Data link connector



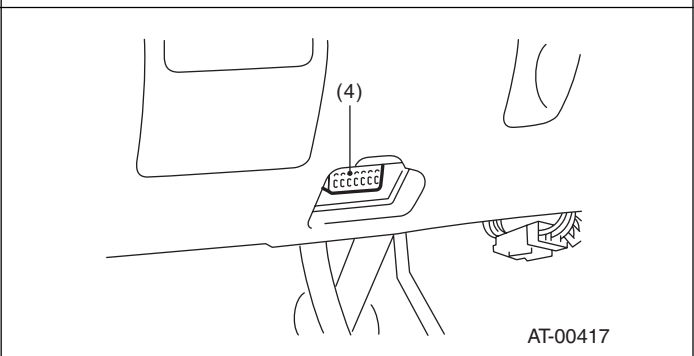
AT-00323



AT-00415



AT-03375

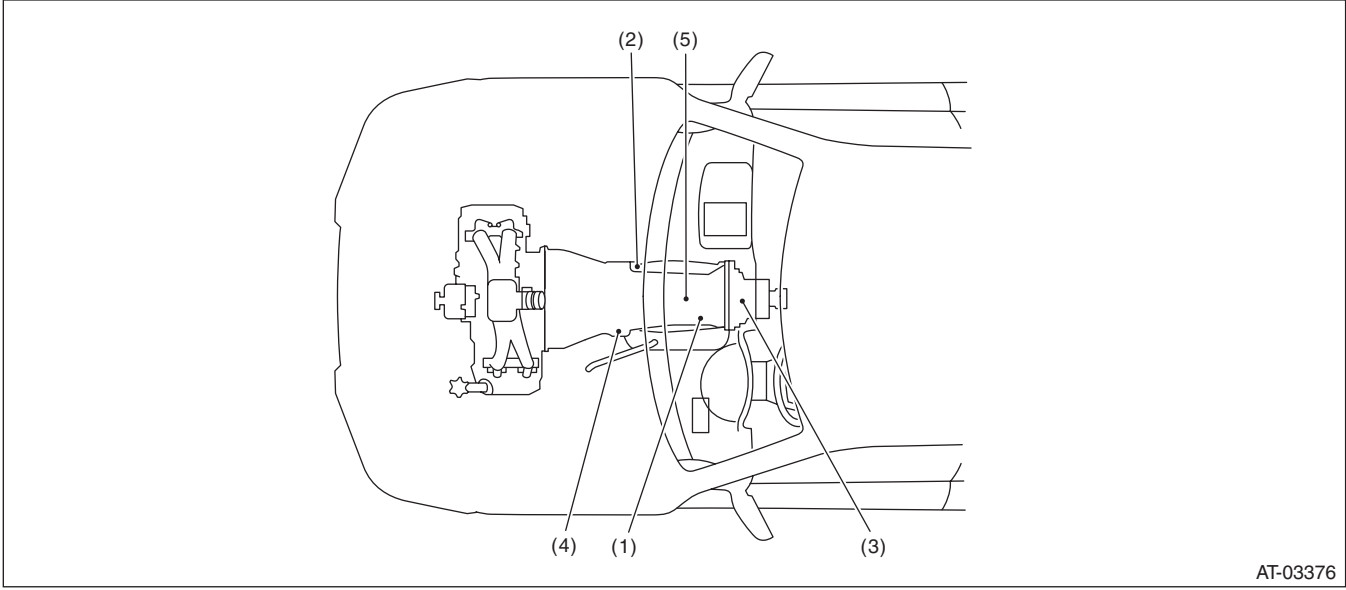


AT-00417

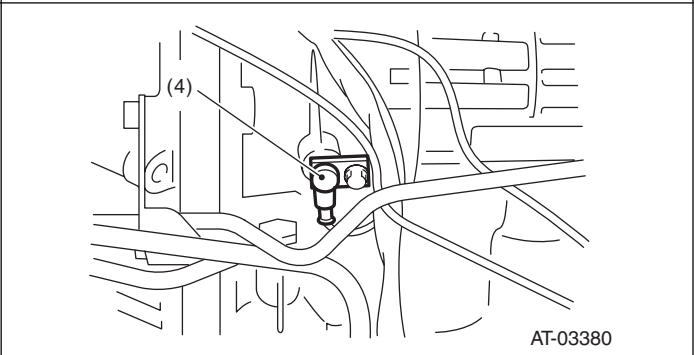
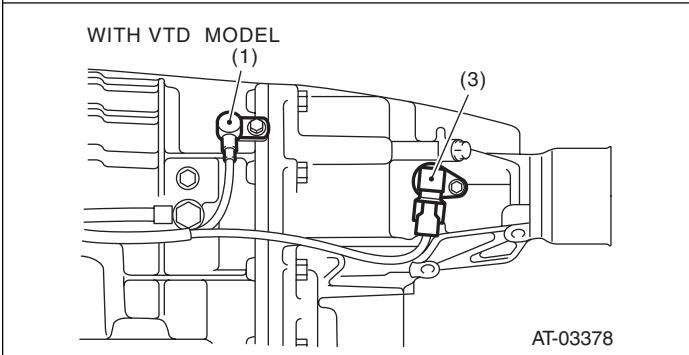
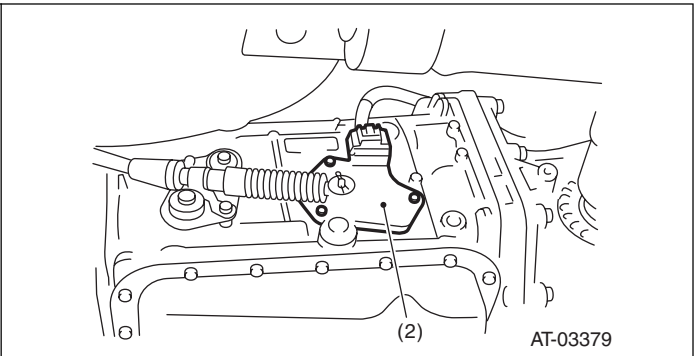
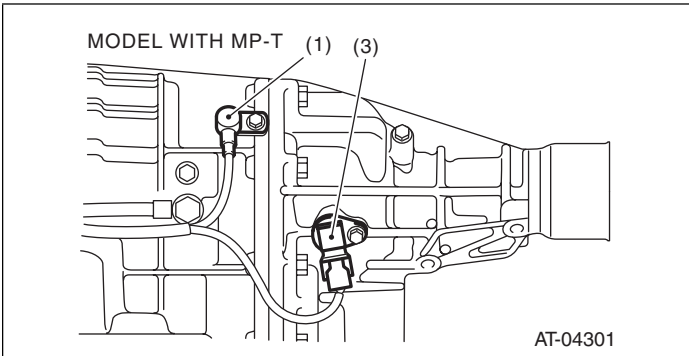
Electrical Component Location

AUTOMATIC TRANSMISSION (DIAGNOSTICS)

2. SENSOR

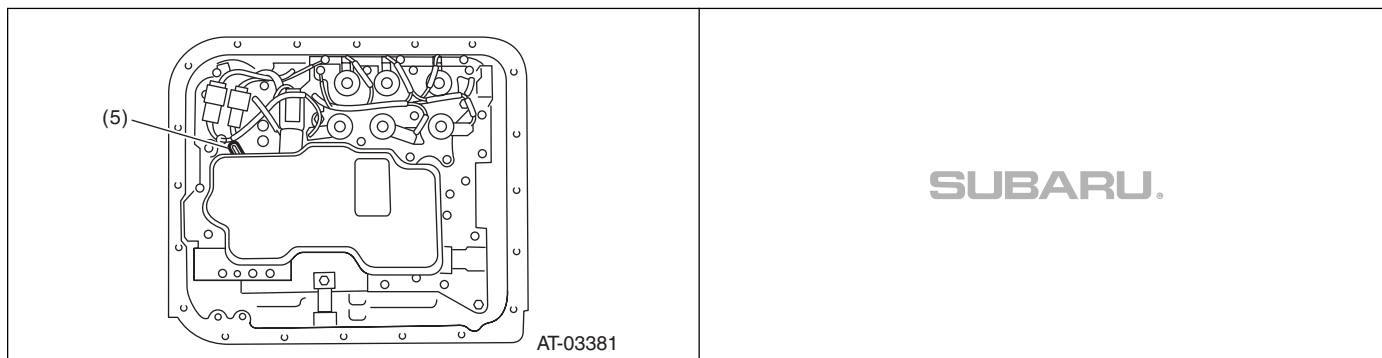


- (1) Front vehicle speed sensor
- (2) Inhibitor switch
- (3) Rear vehicle speed sensor
- (4) Torque converter turbine speed sensor
- (5) ATF temperature sensor

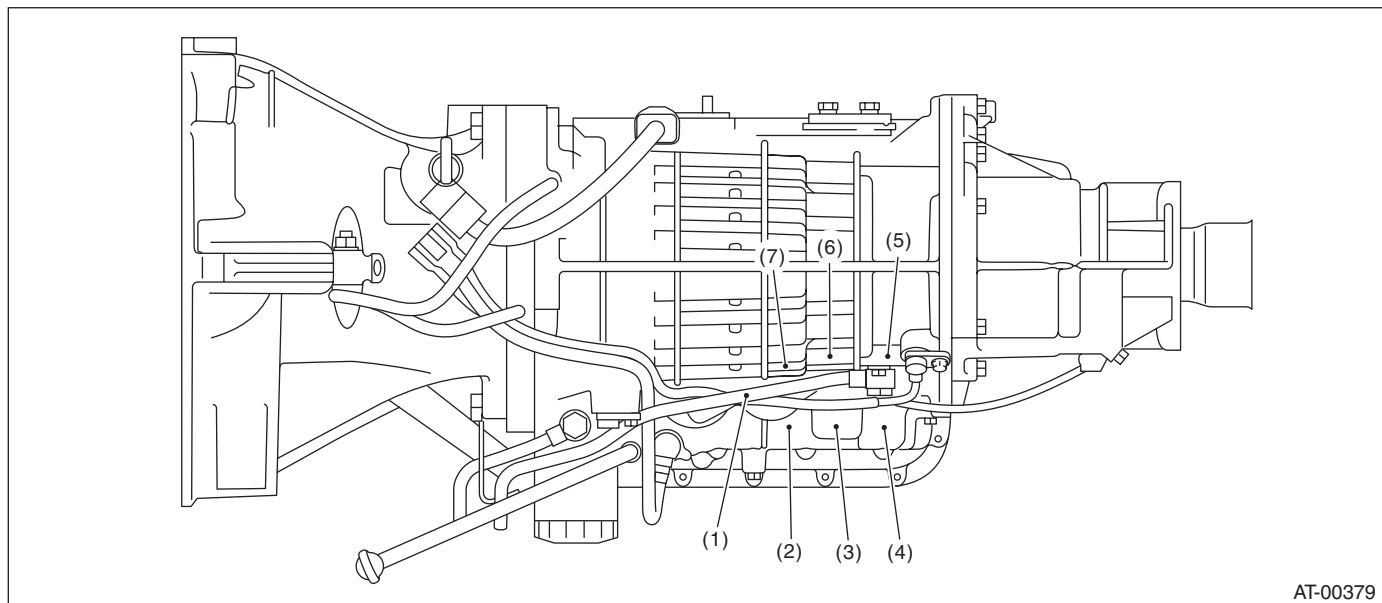


Electrical Component Location

AUTOMATIC TRANSMISSION (DIAGNOSTICS)



3. SOLENOID



- | | | |
|-----------------------------------|---------------------------------|----------------------------|
| (1) Line pressure linear solenoid | (4) Low & reverse duty solenoid | (6) Transfer duty solenoid |
| (2) High clutch duty solenoid | (5) Low clutch duty solenoid | (7) Lock-up duty solenoid |
| (3) 2-4 brake duty solenoid | | |

