

# Rear Vehicle Speed Sensor

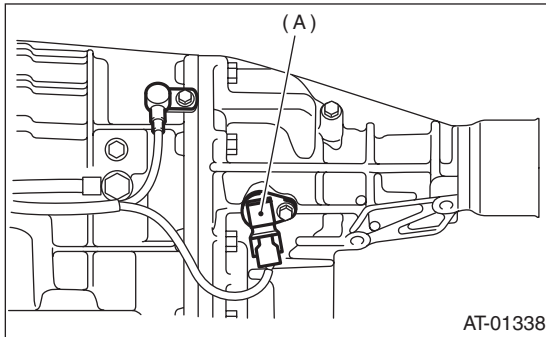
AUTOMATIC TRANSMISSION

---

## 15.Rear Vehicle Speed Sensor

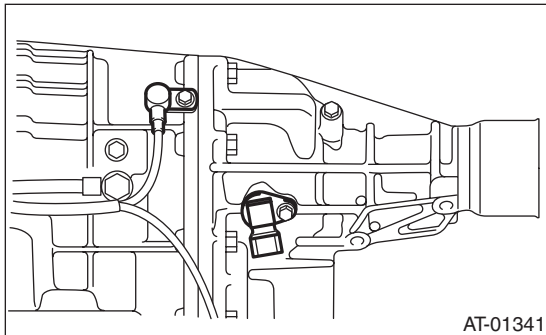
### A: REMOVAL

- 1) Set the vehicle on a lift.
- 2) Disconnect the ground cable from battery.
- 3) Lift-up the vehicle.
- 4) Disconnect the connector from the rear vehicle speed sensor.



(A) Rear vehicle speed sensor

- 5) Remove the rear vehicle speed sensor.



### B: INSTALLATION

Install in the reverse order of removal.

NOTE:

Replace O-ring with a new one.

**Tightening torque:**

**7 N·m (0.7 kgf-m, 5.1 ft-lb)**