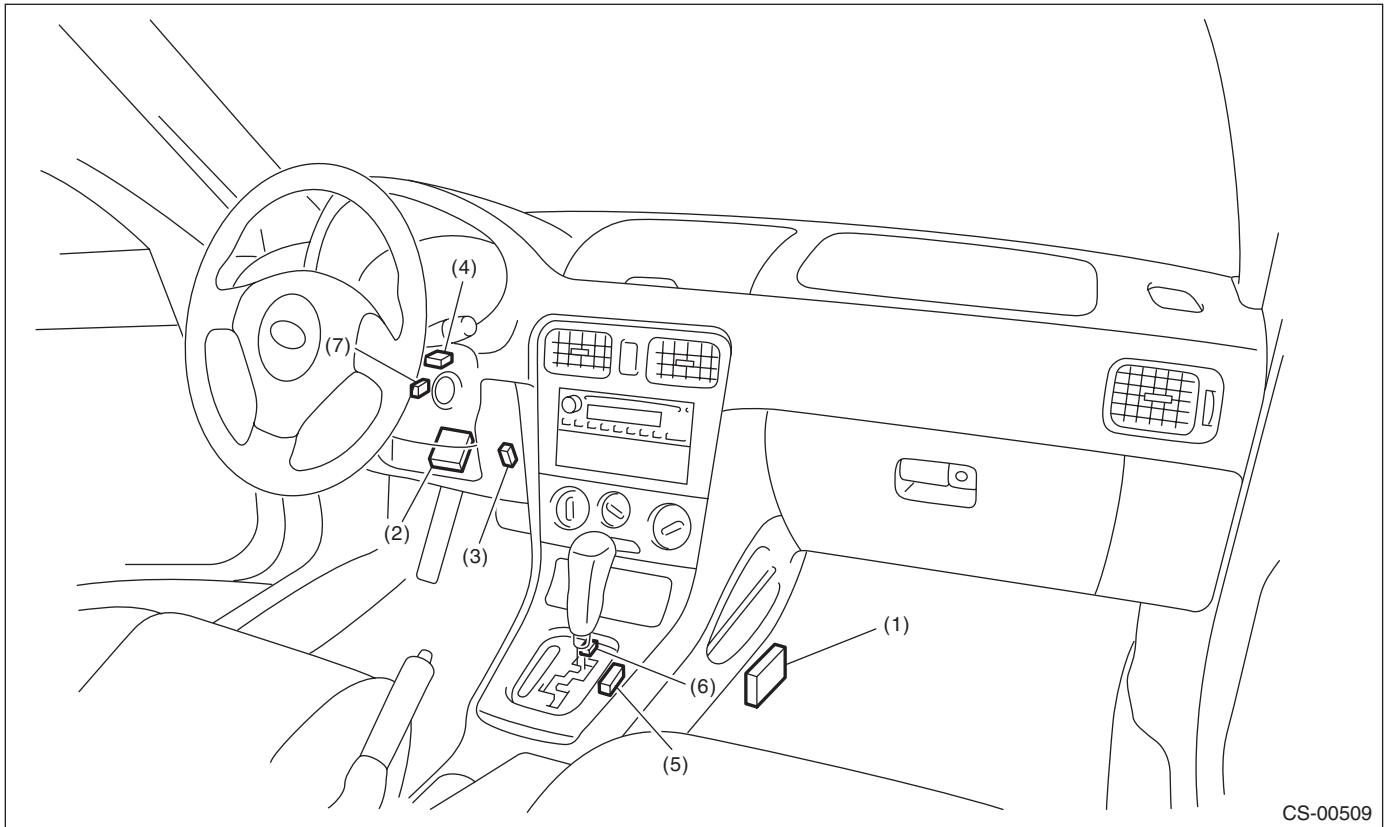


# Electrical Component Location

CONTROL SYSTEMS

## 2. Electrical Component Location

### A: LOCATION

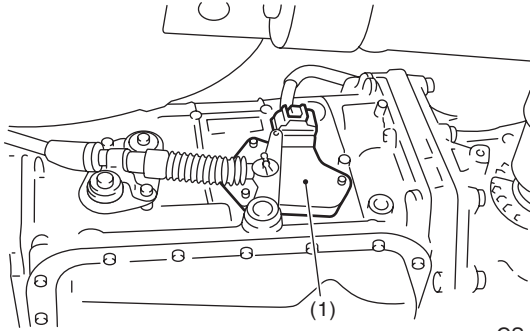


CS-00509

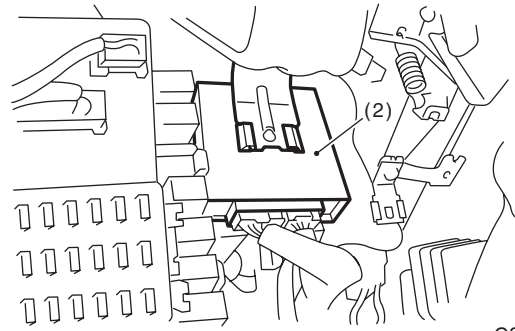
- |                          |                         |                       |
|--------------------------|-------------------------|-----------------------|
| (1) Inhibitor switch     | (4) Key warning switch  | (6) "P" range switch  |
| (2) Body integrated unit | (5) Shift lock solenoid | (7) Key lock solenoid |
| (3) Stop light switch    |                         |                       |

# Electrical Component Location

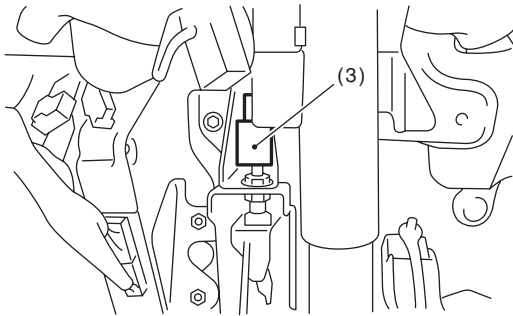
## CONTROL SYSTEMS



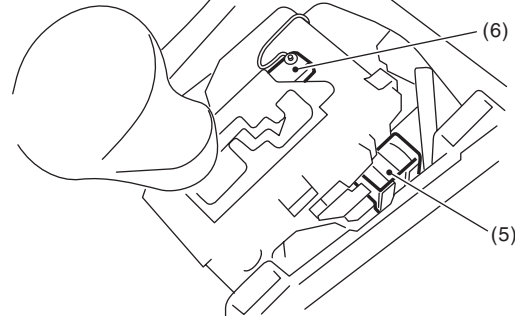
CS-00006



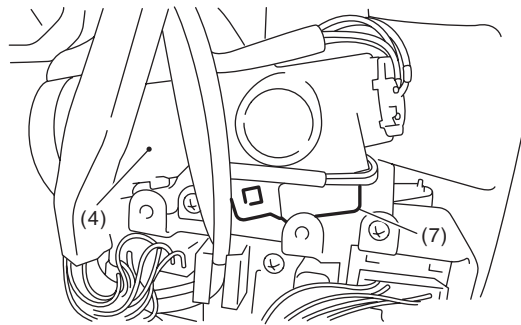
CS-00083



CS-00084



CS-00085



CS-00008

**SUBARU.**