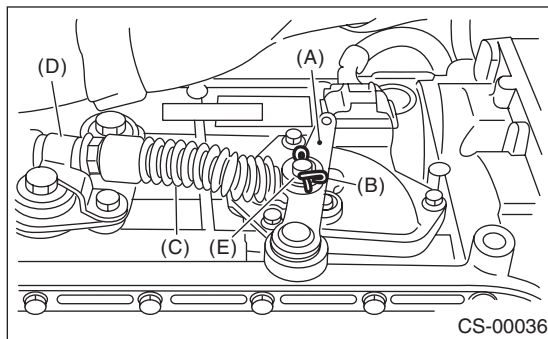


5. Select Cable

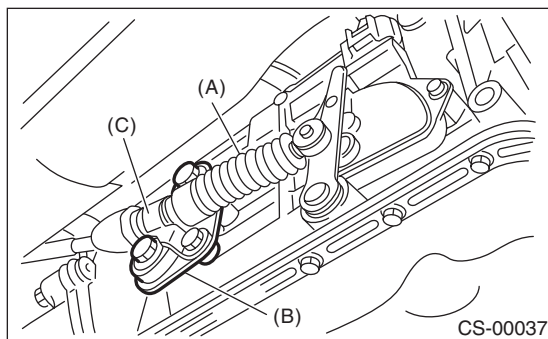
A: REMOVAL

- 1) Set the vehicle on a lift.
- 2) Disconnect the ground cable from the battery.
- 3) Prior to removal, set the lever to "N" range.
- 4) Lift-up the vehicle.
- 5) Remove the front and center exhaust pipes.
Non-turbo model
<Ref. to EX (H4SO)-4, REMOVAL, Front Exhaust Pipe.>
Turbo model
<Ref. to EX(H4DOTC)-6, REMOVAL, Front Exhaust Pipe.>
- 6) Remove the snap pin from the range select lever.



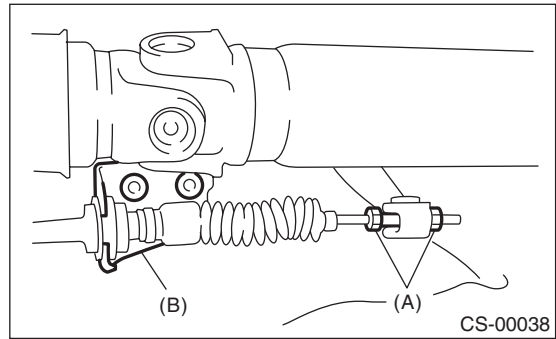
- (A) Select lever
- (B) Snap pin
- (C) Select cable
- (D) Clamp
- (E) Washer

- 7) Remove the plate assembly from the transmission case.



- (A) Select cable
- (B) Plate ASSY
- (C) Clamp

- 8) Disconnect the select cable from range select lever and then remove the cable bracket.



- (A) Adjusting nut
- (B) Cable bracket

- 9) Remove the select cable from plate assembly.

Select Cable

CONTROL SYSTEMS

B: INSTALLATION

1) Install the select cable to plate assembly.

Tightening torque:

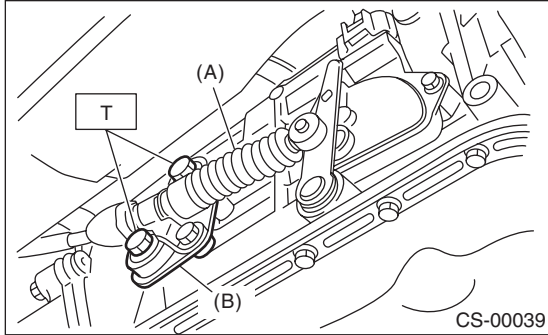
18 N·m (1.8 kgf-m, 13.0 ft-lb)

2) Install the select cable to the range select lever.

3) Install the plate assembly to the transmission.

Tightening torque:

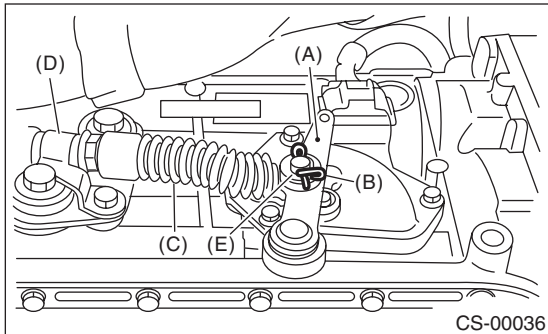
T: 24.5 N·m (2.5 kgf-m, 18.1 ft-lb)



(A) Select cable

(B) Plate ASSY

4) Install the washer and snap pin to range select lever.



(A) Select lever

(B) Snap pin

(C) Select cable

(D) Clamp

(E) Washer

5) Move the select lever to the "N" range, then adjust the select cable position. <Ref. to CS-27, ADJUSTMENT, Select Cable.>

6) Install the front and center exhaust pipe.

Non-turbo model

<Ref. to EX (H4SO)-5, INSTALLATION, Front Exhaust Pipe.>

Turbo model

<Ref. to EX(H4DOTC)-7, INSTALLATION, Front Exhaust Pipe.>

C: INSPECTION

Check the removed cable and replace if damaged, rusty or having problems.

1) Check the cable for smooth operation.

2) Check the inner cable for damage and rust.

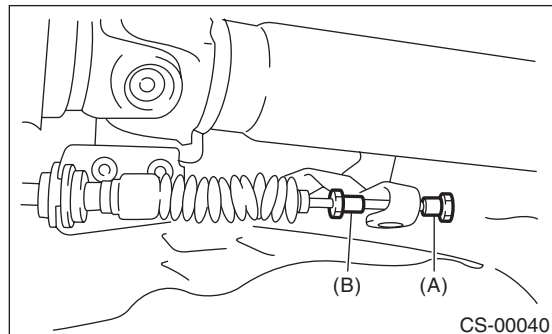
3) Check the outer cable for damage, bends and cracks.

4) Check the boot for damage, cracks and deterioration.

5) Move the select lever from "P" to "1" range. In each range, check that the contact of the detent is felt. If the detentes is not felt or the position pointer is improperly aligned, adjust the cable.

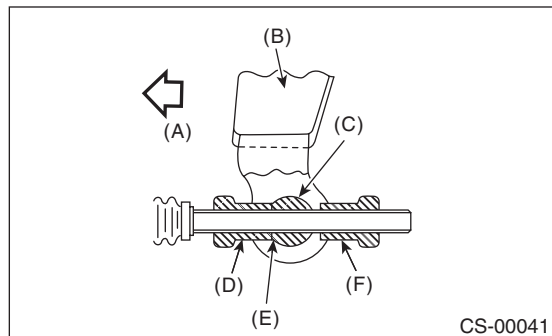
D: ADJUSTMENT

- 1) Set the vehicle on a lift.
- 2) Set the select lever to "N" range.
- 3) Lift-up the vehicle.
- 4) Remove the rear exhaust pipe and muffler.
- 5) Loosen the adjusting nuts on both sides.



- (A) Adjusting nut A
- (B) Adjusting nut B

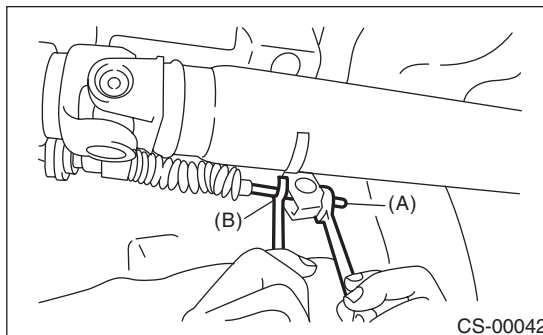
- 6) Turn the adjusting nut B until it lightly touches the connector.



- (A) Front side
- (B) Select lever
- (C) Connector
- (D) Adjusting nut B
- (E) Contact point
- (F) Adjusting nut A

- 7) Set a spanner wrench to adjusting nut B so that it does not rotate, and then tighten the adjusting nut A.

Tightening torque:
7.5 N·m (0.76 kgf-m, 5.5 ft-lb)



- (A) Adjusting nut A
- (B) Adjusting nut B

- 8) After completion of fitting, make sure that the select lever operates smoothly all across the operating range.
- 9) Install in the reverse order of removal.