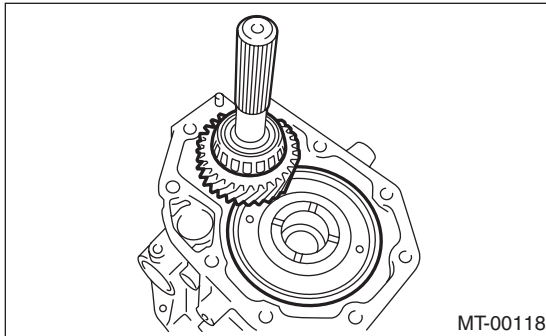


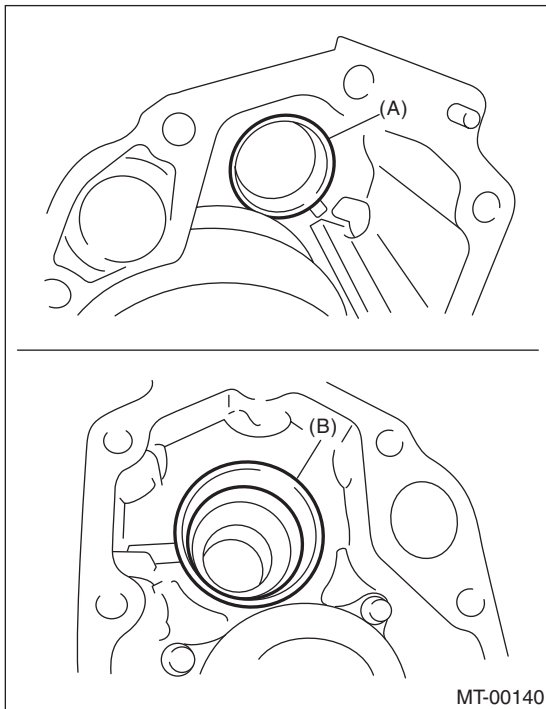
12. Transfer Driven Gear

A: REMOVAL

- 1) Remove the manual transmission assembly from the vehicle. <Ref. to 5MT-26, REMOVAL, Manual Transmission Assembly.>
- 2) Remove the back-up light switch and neutral position switch. <Ref. to 5MT-35, REMOVAL, Switches and Harness.>
- 3) Remove the transfer case together with the extension case assembly. <Ref. to 5MT-39, REMOVAL, Transfer Case and Extension Case Assembly.>
- 4) Remove the extension case assembly.
- 5) Remove the transfer driven gear.



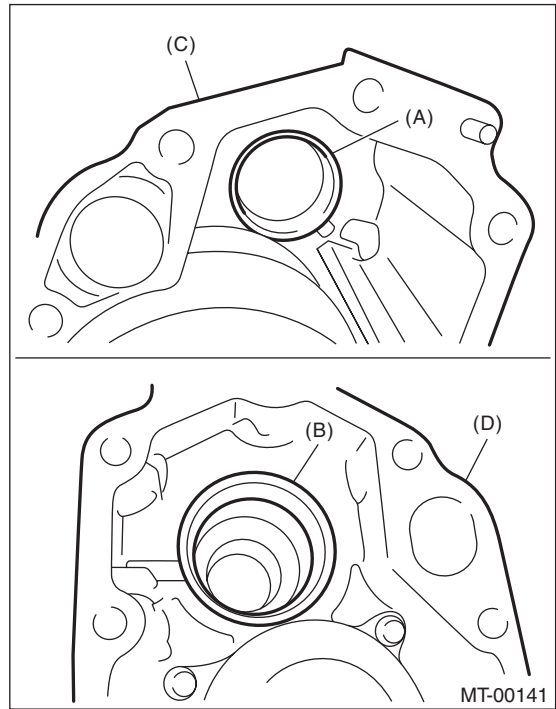
- 6) Remove bearing outer races from the extension case and transfer case.



- (A) Bearing outer race (Extension case side)
- (B) Bearing outer race (Transfer case side)

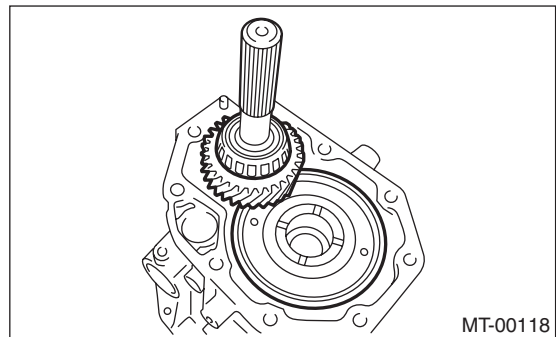
B: INSTALLATION

- 1) Install the bearing outer races to extension case and transfer case.



- (A) Bearing outer race (Extension case side)
- (B) Bearing outer race (Transfer case side)
- (C) Extension case
- (D) Transfer case

- 2) Install the transfer driven gear.



- 3) Install the transfer case and the extension case assembly. <Ref. to 5MT-39, INSTALLATION, Transfer Case and Extension Case Assembly.>
- 4) Install the back-up light switch and the neutral position switch. <Ref. to 5MT-35, INSTALLATION, Switches and Harness.>
- 5) Install the manual transmission assembly to the vehicle. <Ref. to 5MT-28, INSTALLATION, Manual Transmission Assembly.>

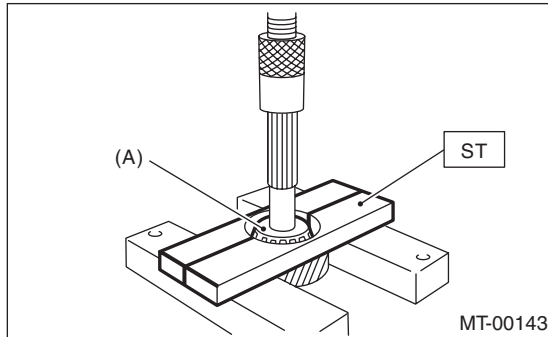
Transfer Driven Gear

MANUAL TRANSMISSION AND DIFFERENTIAL

C: DISASSEMBLY

1) Using the ST, remove the roller bearing (extension case side).

ST 498077000 REMOVER

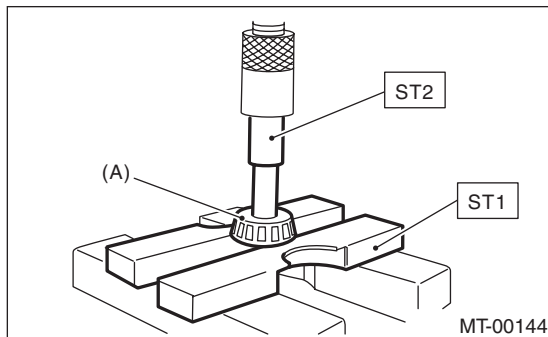


(A) Roller bearing

2) Using ST1 and ST2, remove the roller bearing (transfer case side).

ST1 498077000 REMOVER

ST2 899864100 REMOVER



(A) Roller bearing

D: ASSEMBLY

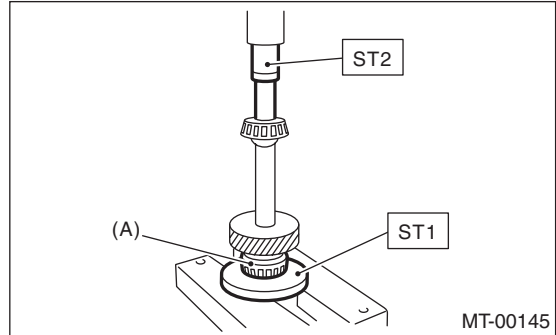
1) Using the ST, install the roller bearing (extension case side).

ST1 398177700 INSTALLER

ST2 899864100 REMOVER

CAUTION:

Do not apply a load in excess of 10 kN (1 ton, 1.1 US ton, 1.0 Imp ton).



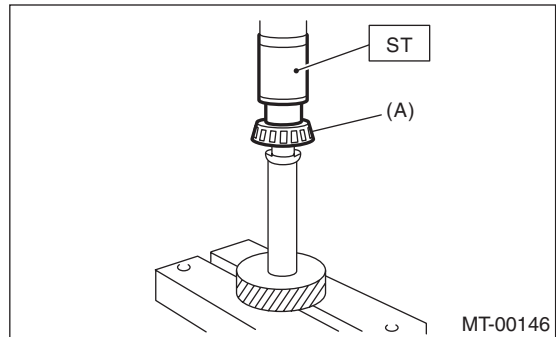
(A) Roller bearing

2) Using ST, install the roller bearing (transfer case side).

ST 499757002 INSTALLER

CAUTION:

Do not apply a load in excess of 10 kN (1 ton, 1.1 US ton, 1.0 Imp ton).



(A) Roller bearing

E: INSPECTION

1) Bearing

Replace the bearings in the following cases.

- In case of broken or rusty bearings
- In case of worn or damaged bearings
- In the case that the bearing fails to turn smoothly or makes an abnormal noise when turned, even after gear oil lubrication.

2) Driven gear

Replace the driven gear in the following cases.

- If the driven gear tooth surface and shaft are excessively broken or damaged.