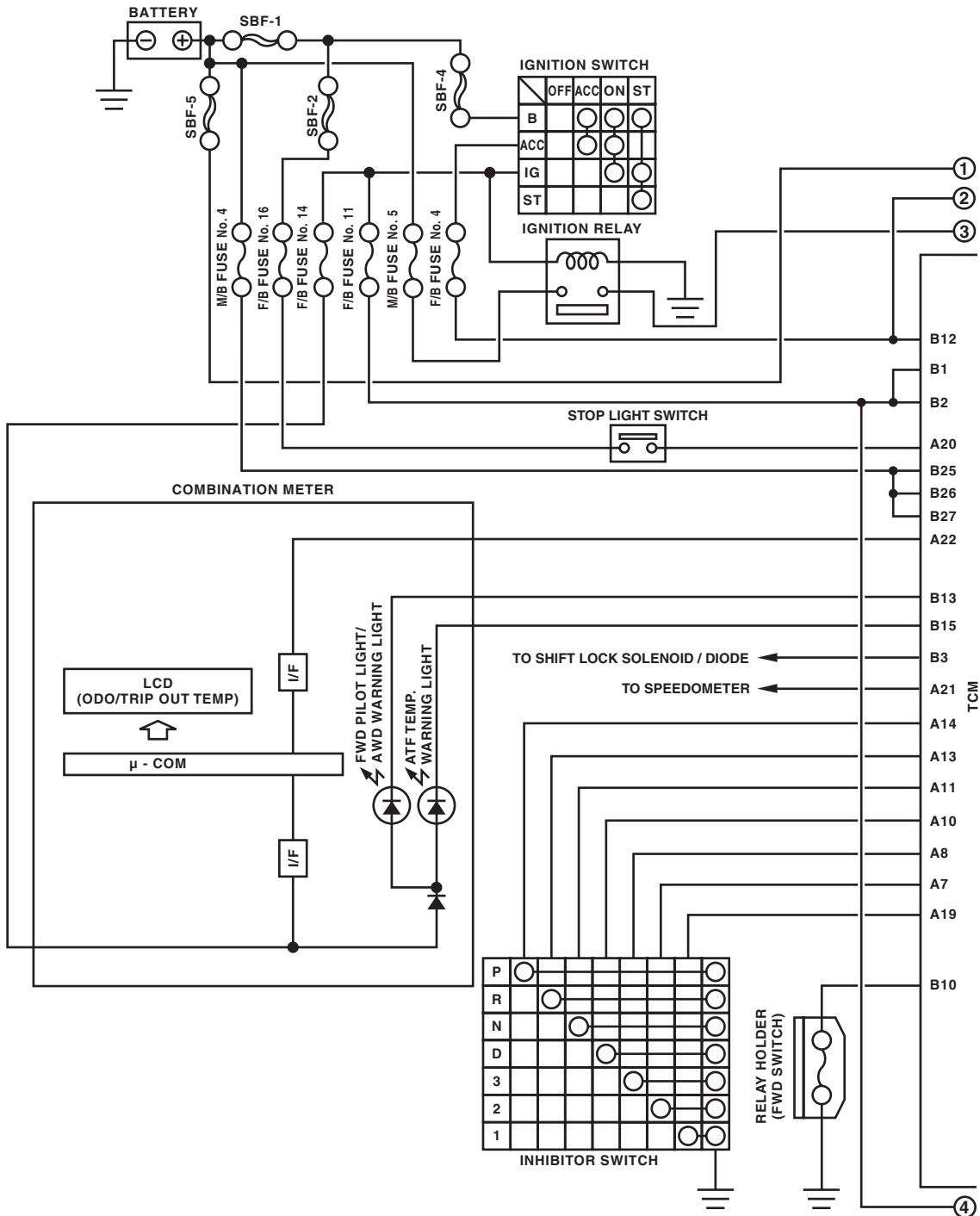


AT Control System

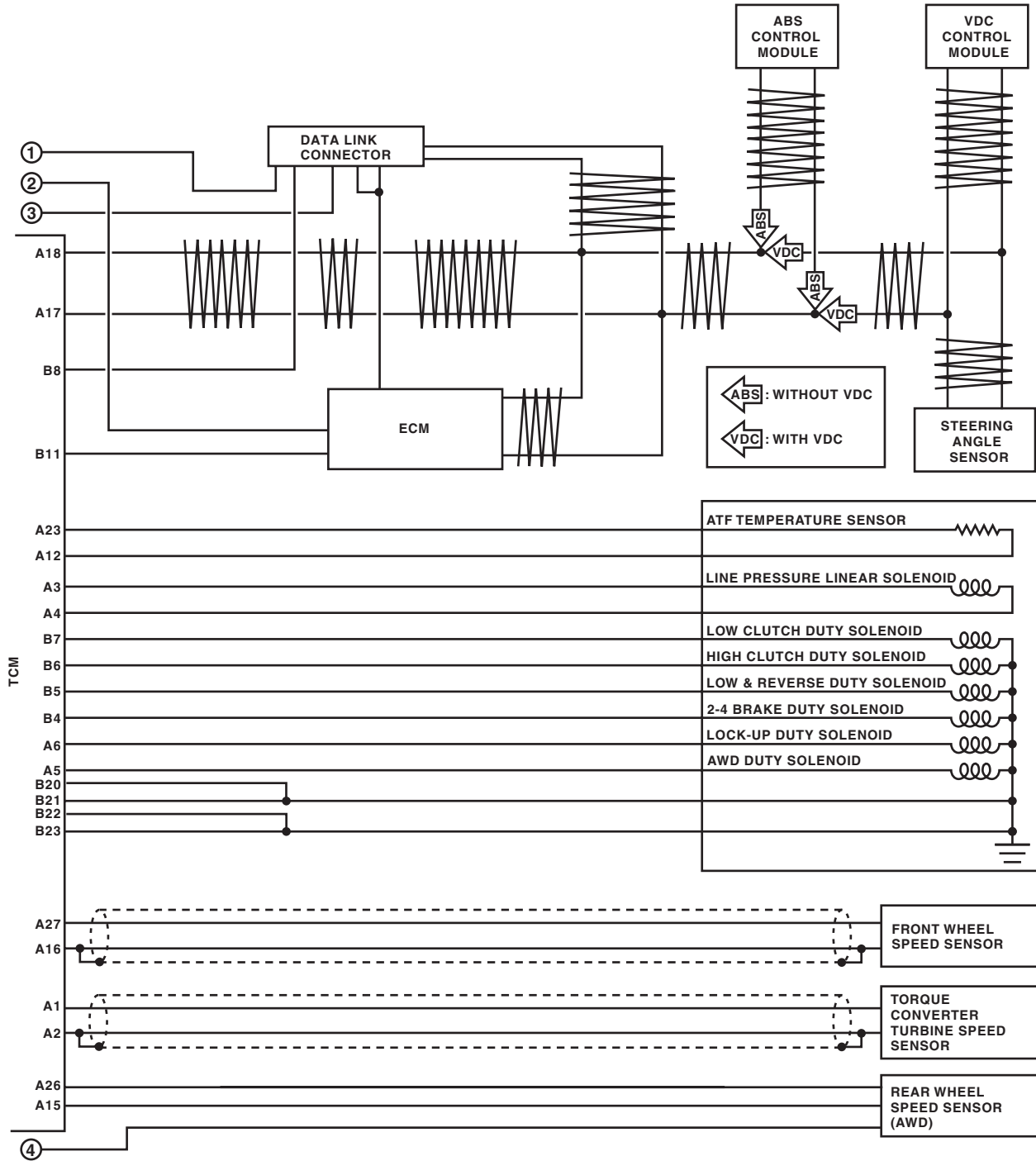
WIRING SYSTEM

6. AT Control System

A: WIRING DIAGRAM



WI-12232

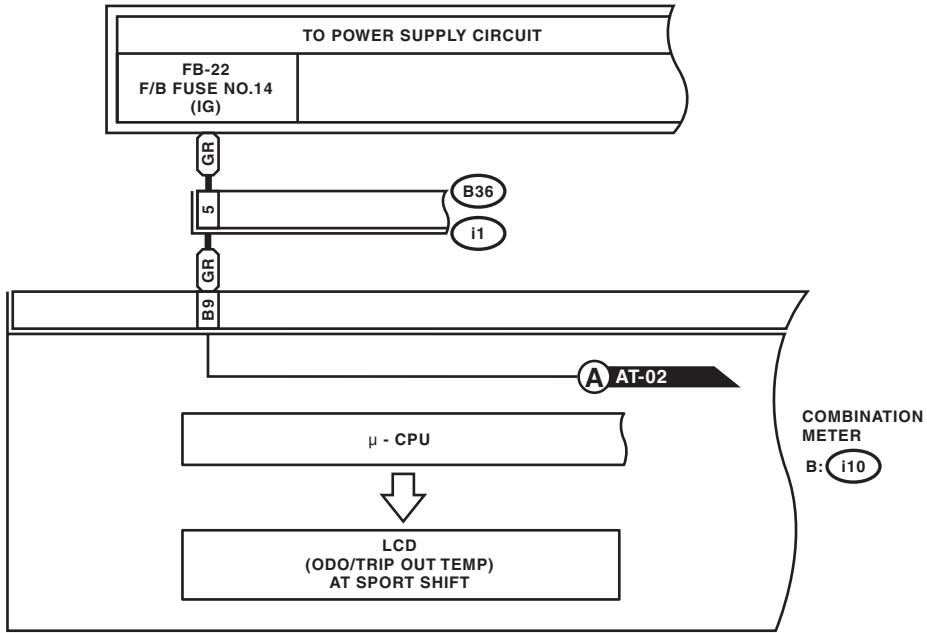


AT Control System

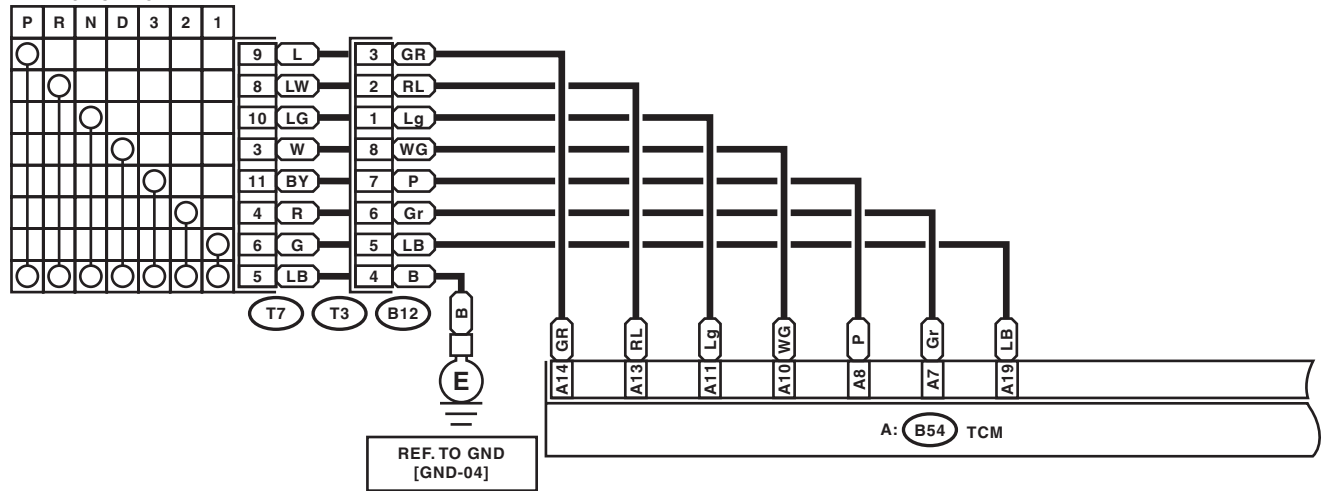
WIRING SYSTEM

AT-01

AT-01



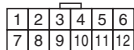
INHIBITOR SWITCH



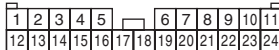
B12 HR (GRAY)



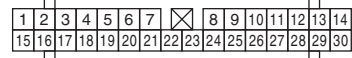
T7 (BLACK)



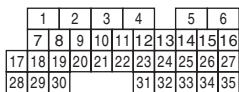
B36



B: i10 (GREEN)



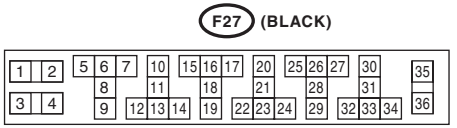
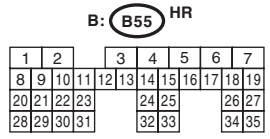
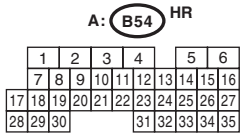
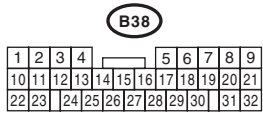
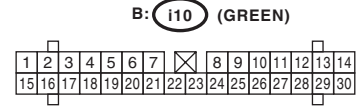
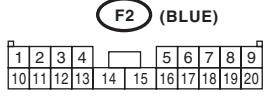
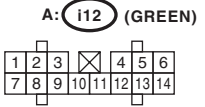
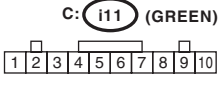
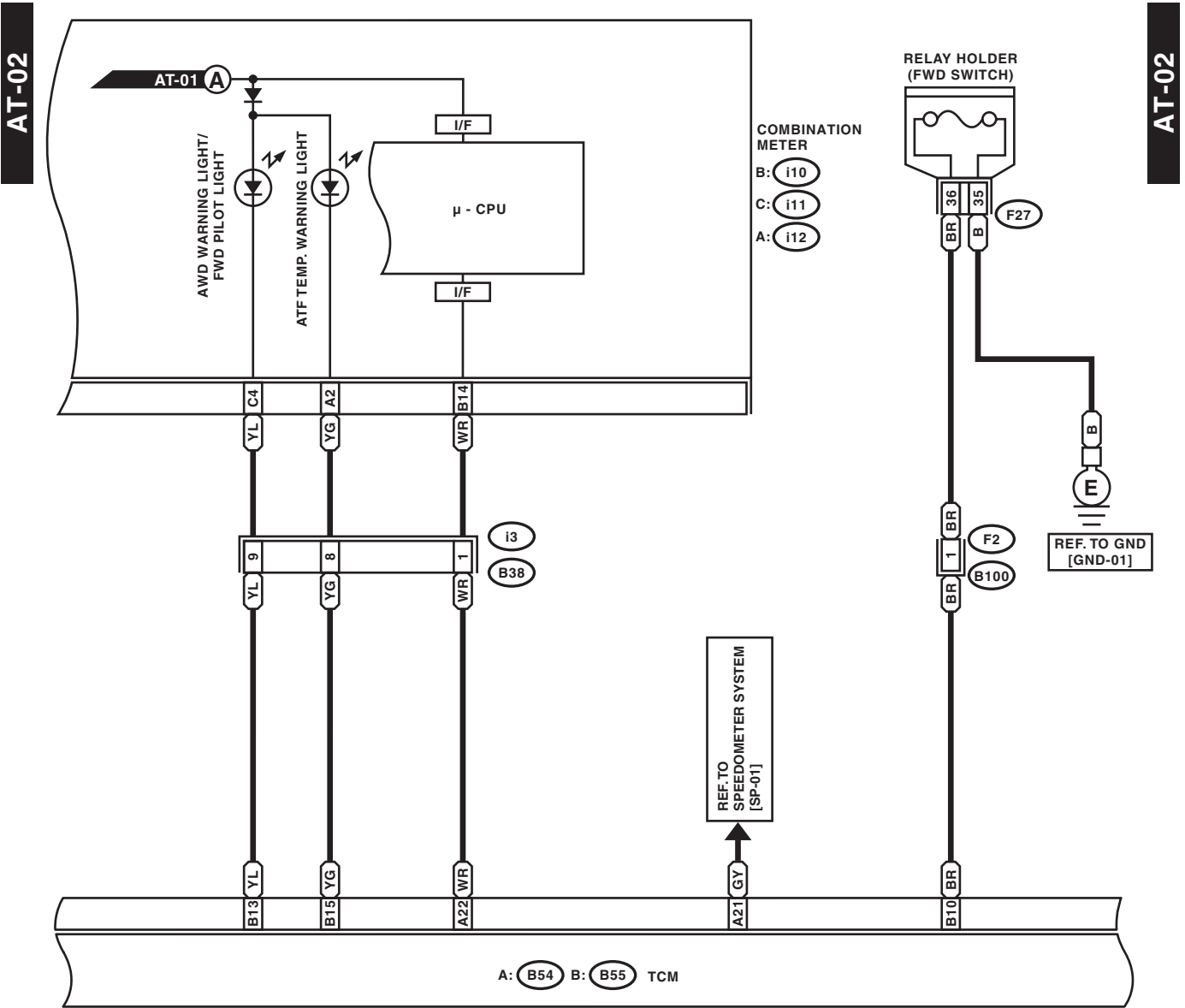
A: B54 HR



WI-15003

AT Control System

WIRING SYSTEM

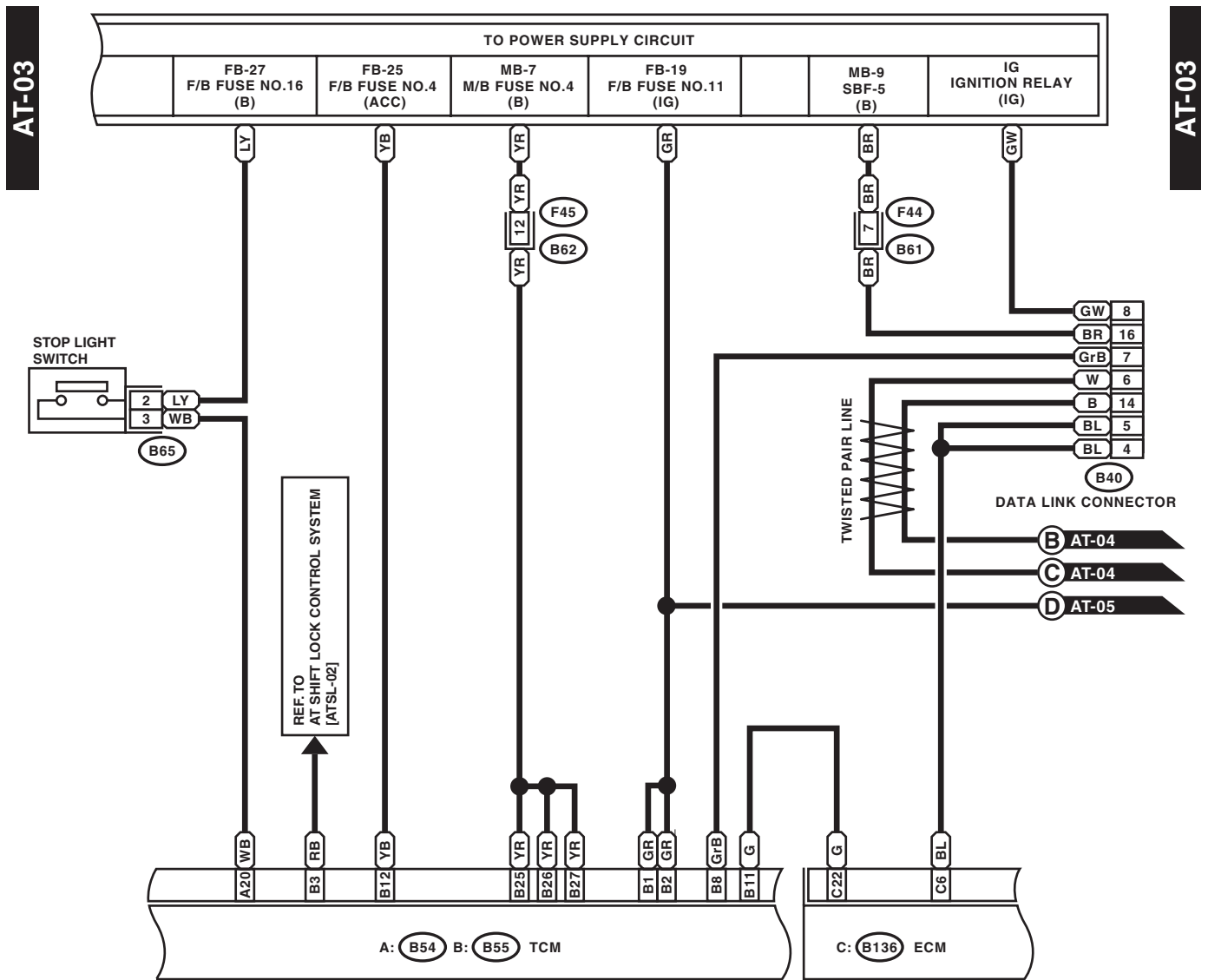


RELAY HOLDER

WI-15004

AT Control System

WIRING SYSTEM



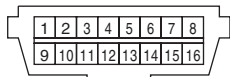
B65 (BLACK)



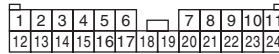
F44 (BLACK)



B40 (BLACK)



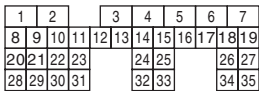
F45 (BLACK)



A: B54 HR

C: B136 HR

B: B55 HR



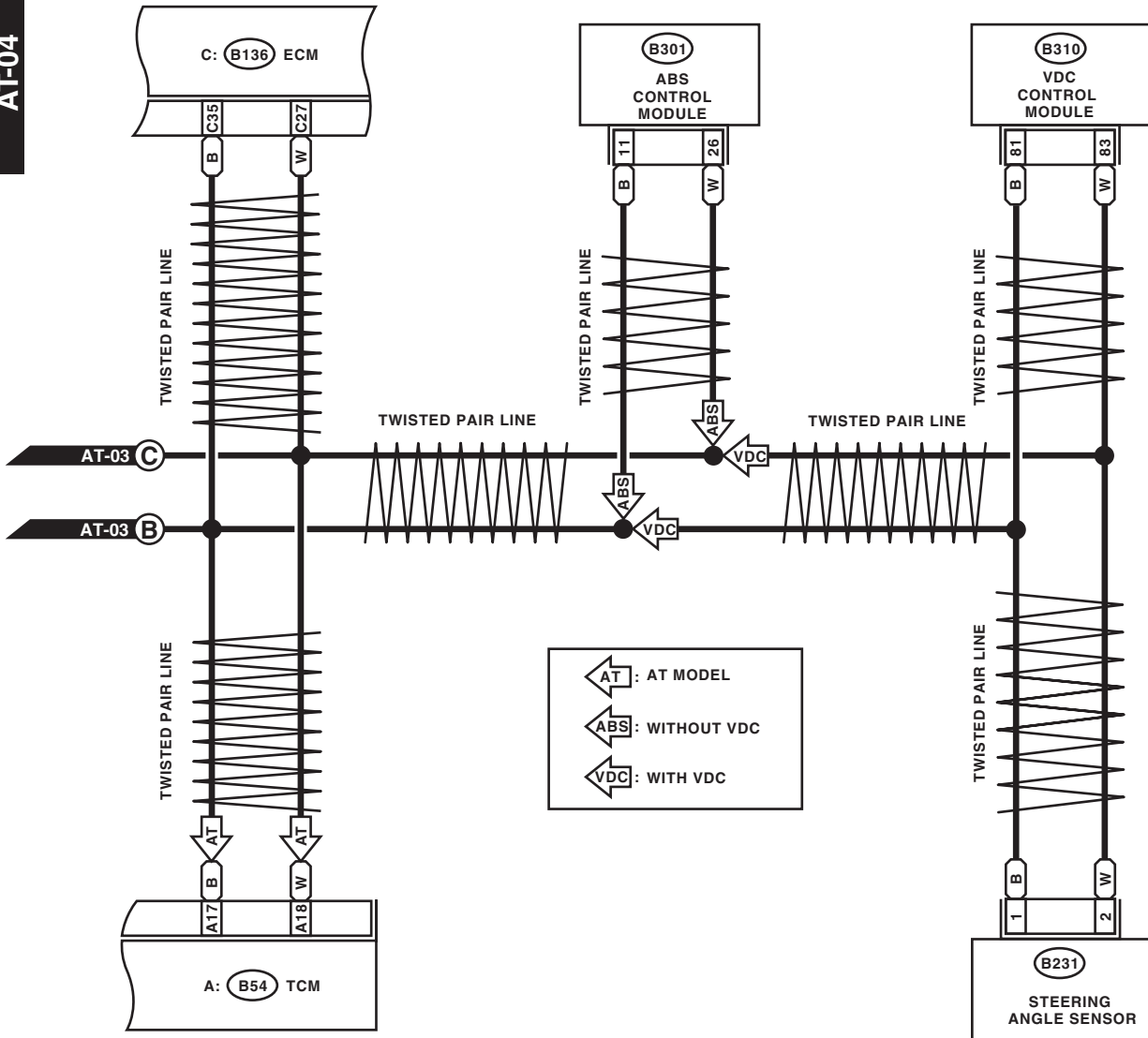
WI-15005

AT Control System

WIRING SYSTEM

AT-04

AT-04

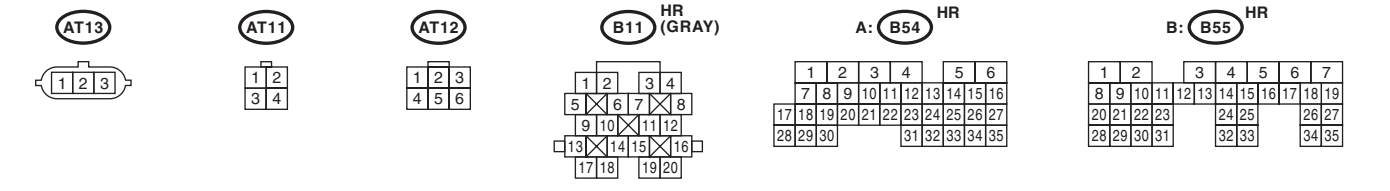
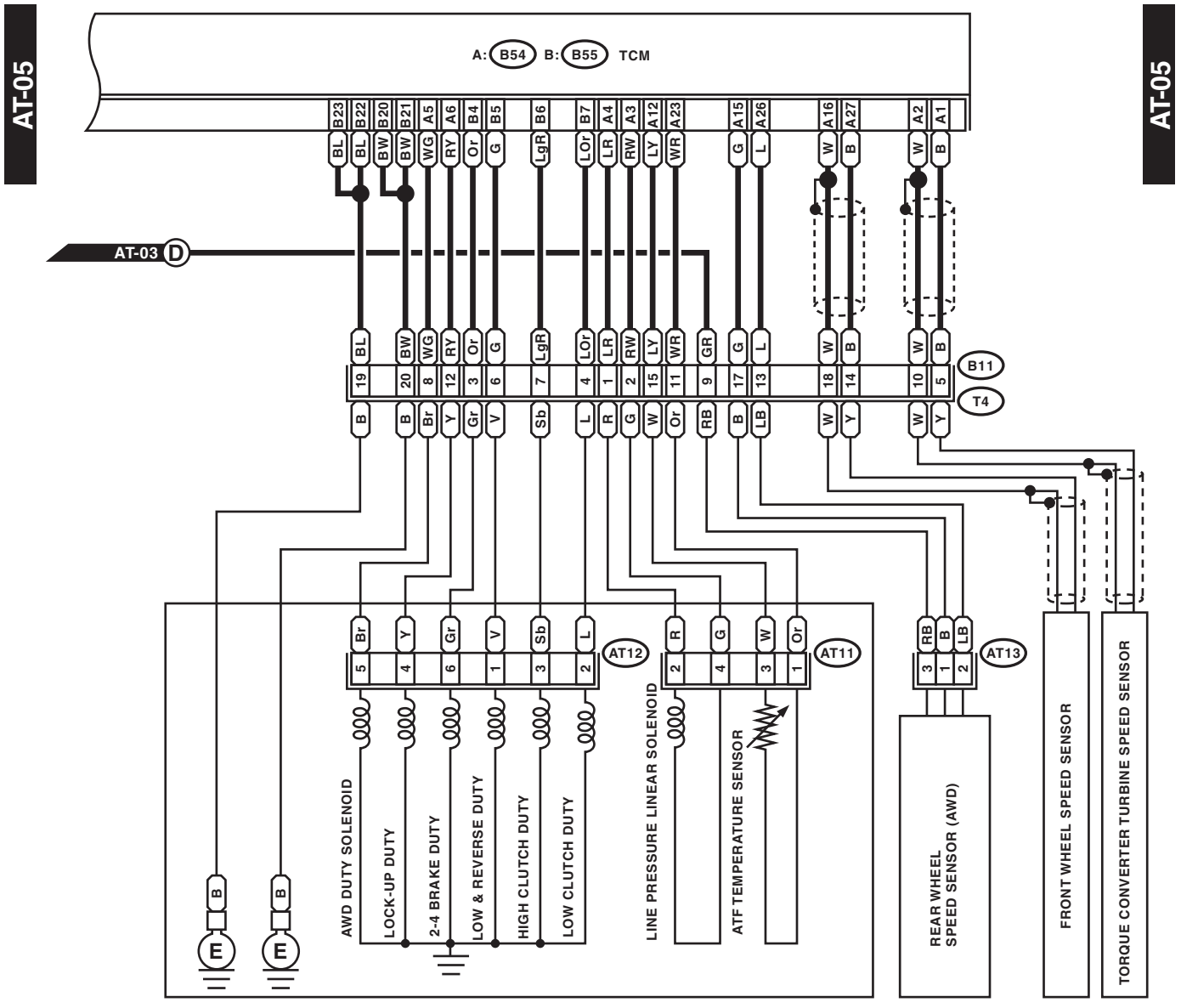


B231				B301 (BLACK)											A: B54 HR													
1 2 3 4				1 2 3 4 5 6 7 8 10 11											C: B136 HR													
				12 13 14 15											7 8 9 10 11 12 13 14 15 16													
															17 18 19 20 21 22 23 24 25 26 27													
															28 29 30													
															31 32 33 34 35													
B310 (BLACK)																												
1	2	3	4	5	6	7	8	9	10	11	12	13	14	15	16	17	18	19	20	21	22	23	24	25	26	27	28	
29	30	31	32	33	34	35	36	37	38	39	40	41	42	43	44	45	46	47	48	49	50	51	52	53	54	55		
56	57	58	59	60	61	62	63	64	65	66	67	68	69	70	71	72	73	74	75	76	77	78	79	80	81	82	83	

WI-15236

AT Control System

WIRING SYSTEM



WI-15007