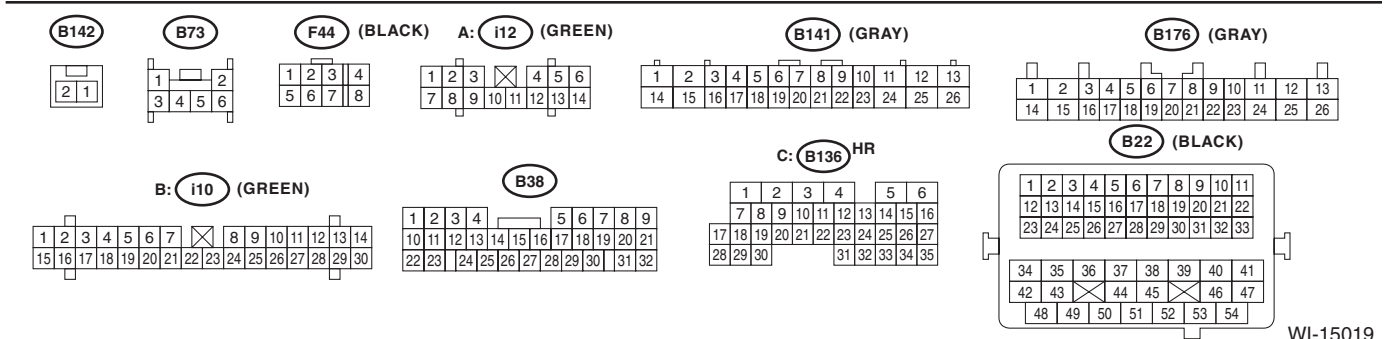
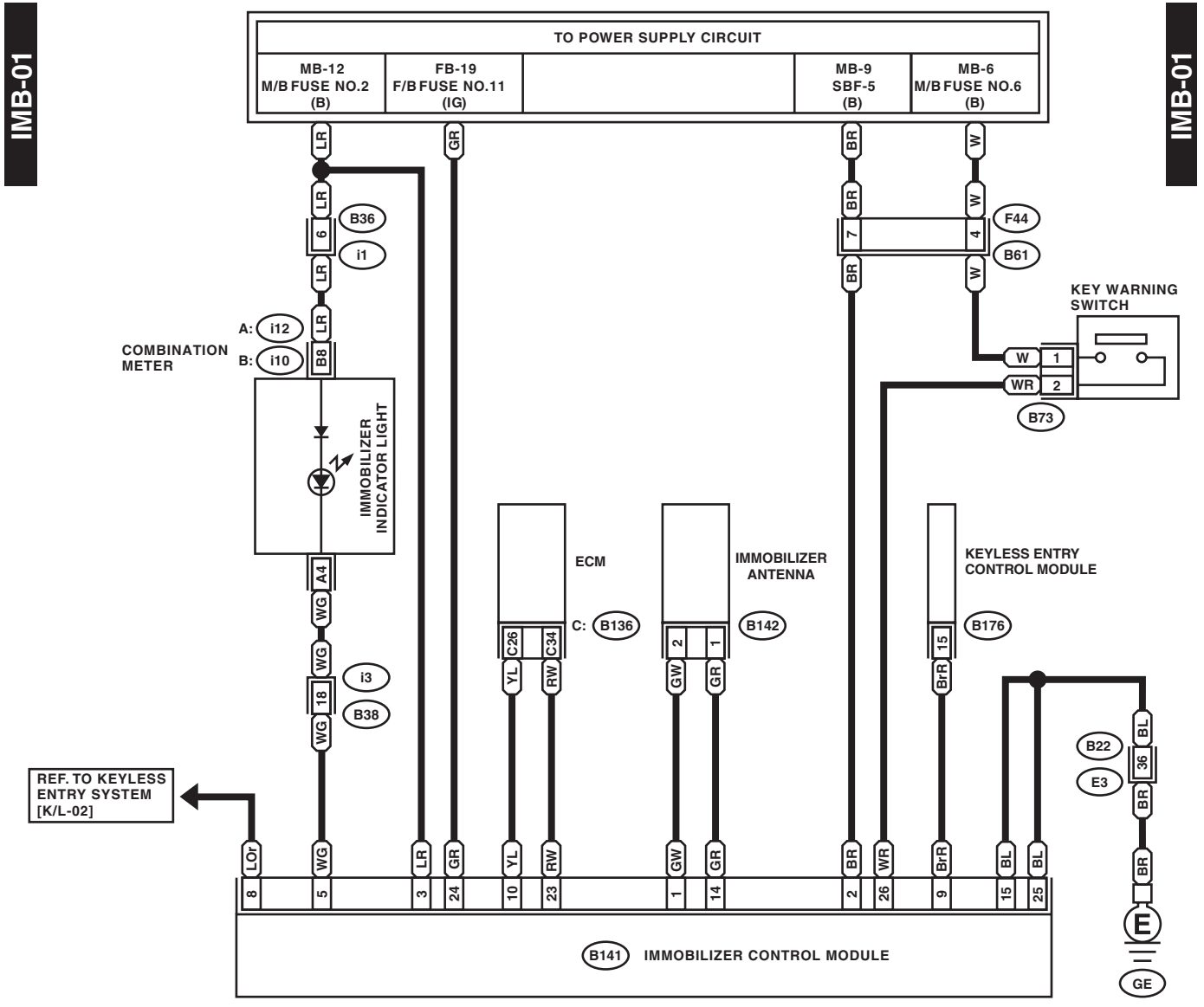


13. Immobilizer System

A: WIRING DIAGRAM



WI-15019