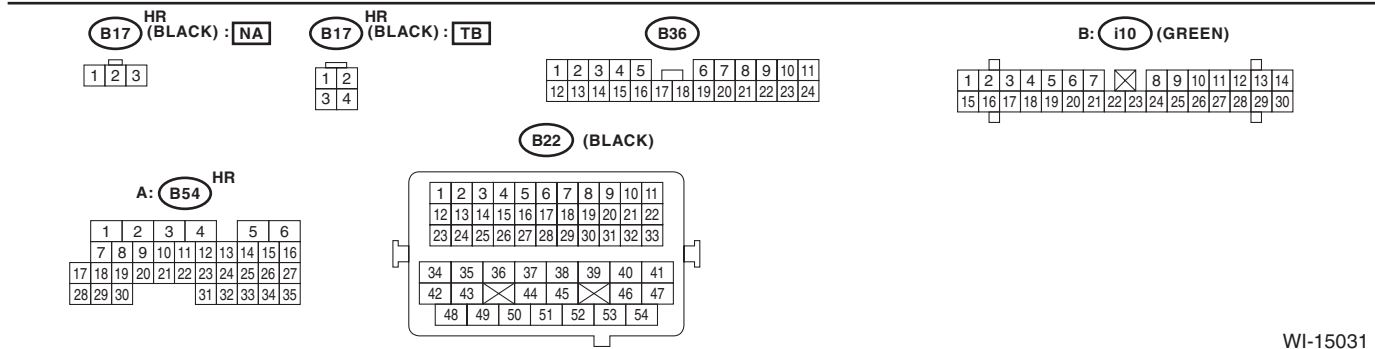
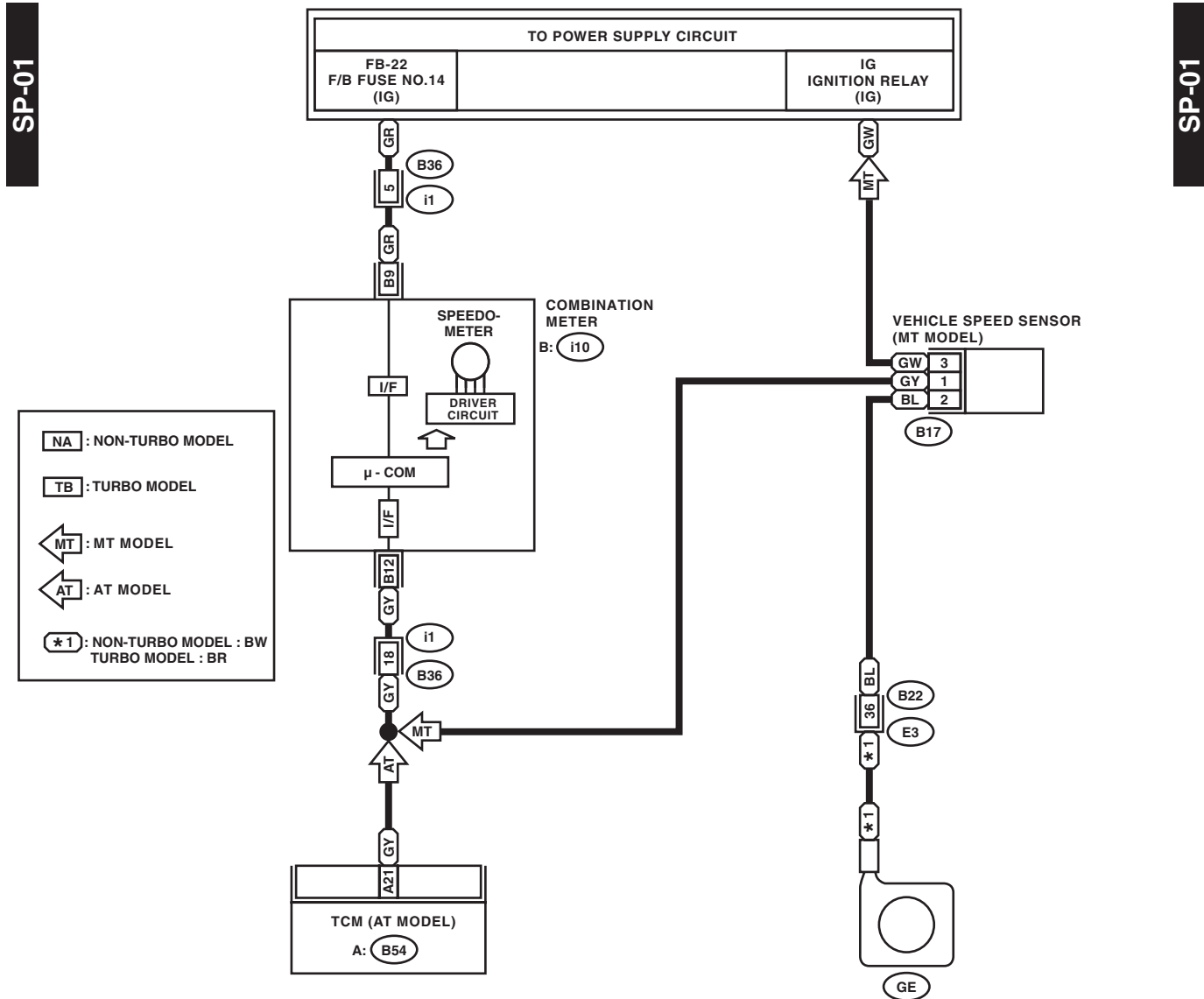


18.Speedmeter System

A: WIRING DIAGRAM



WI-15031