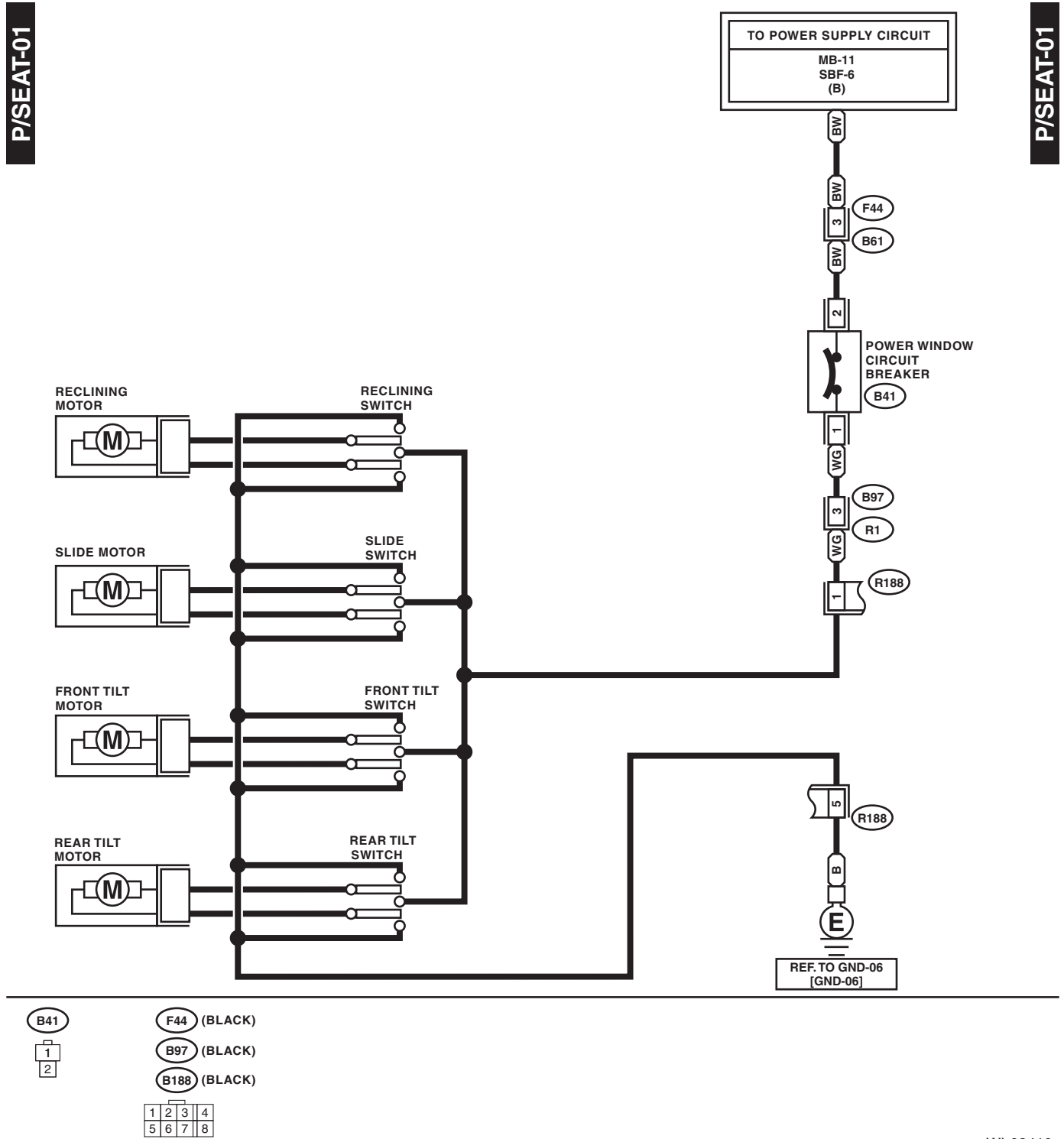


Power Seat System

WIRING SYSTEM

19. Power Seat System

A: WIRING DIAGRAM



WI-08410