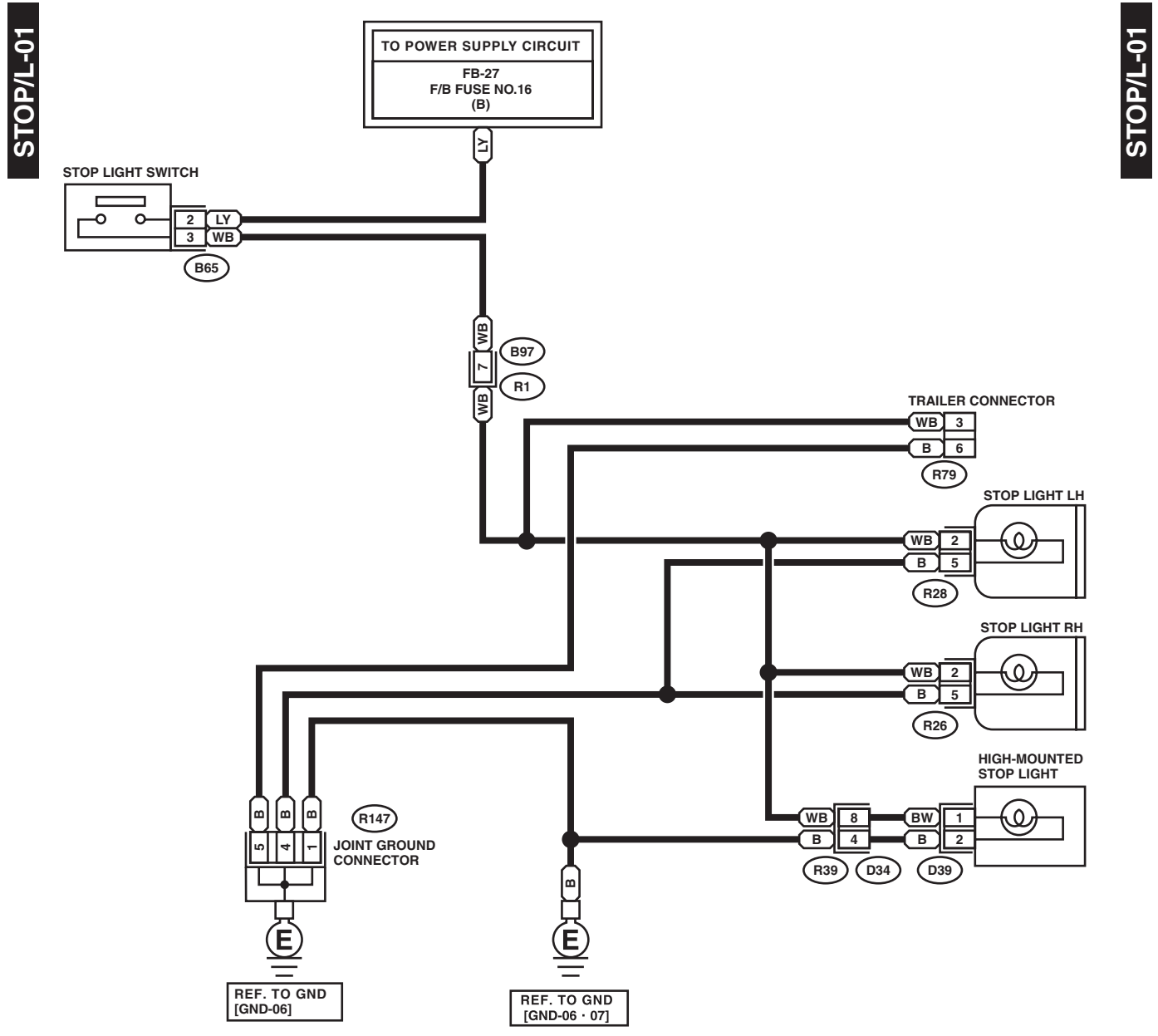


## 26. Stop Light System

### A: WIRING DIAGRAM



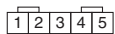
D39 (BLACK)



B65 (BLACK)



R147



R26



R28



R79



B97 (BLACK)



D34

