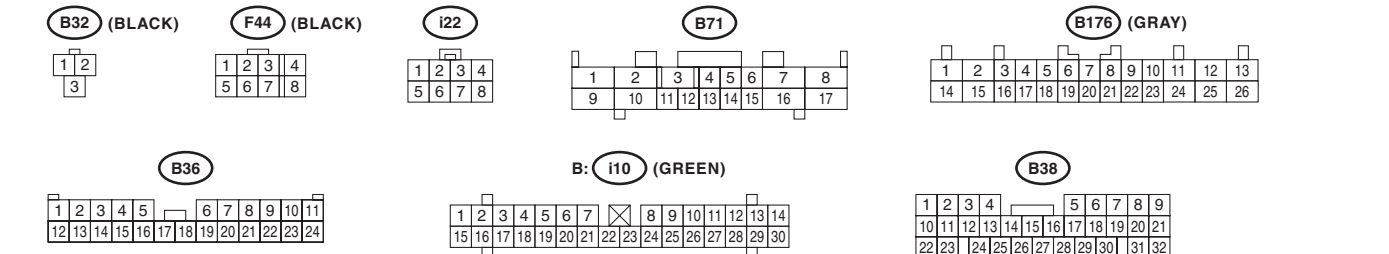
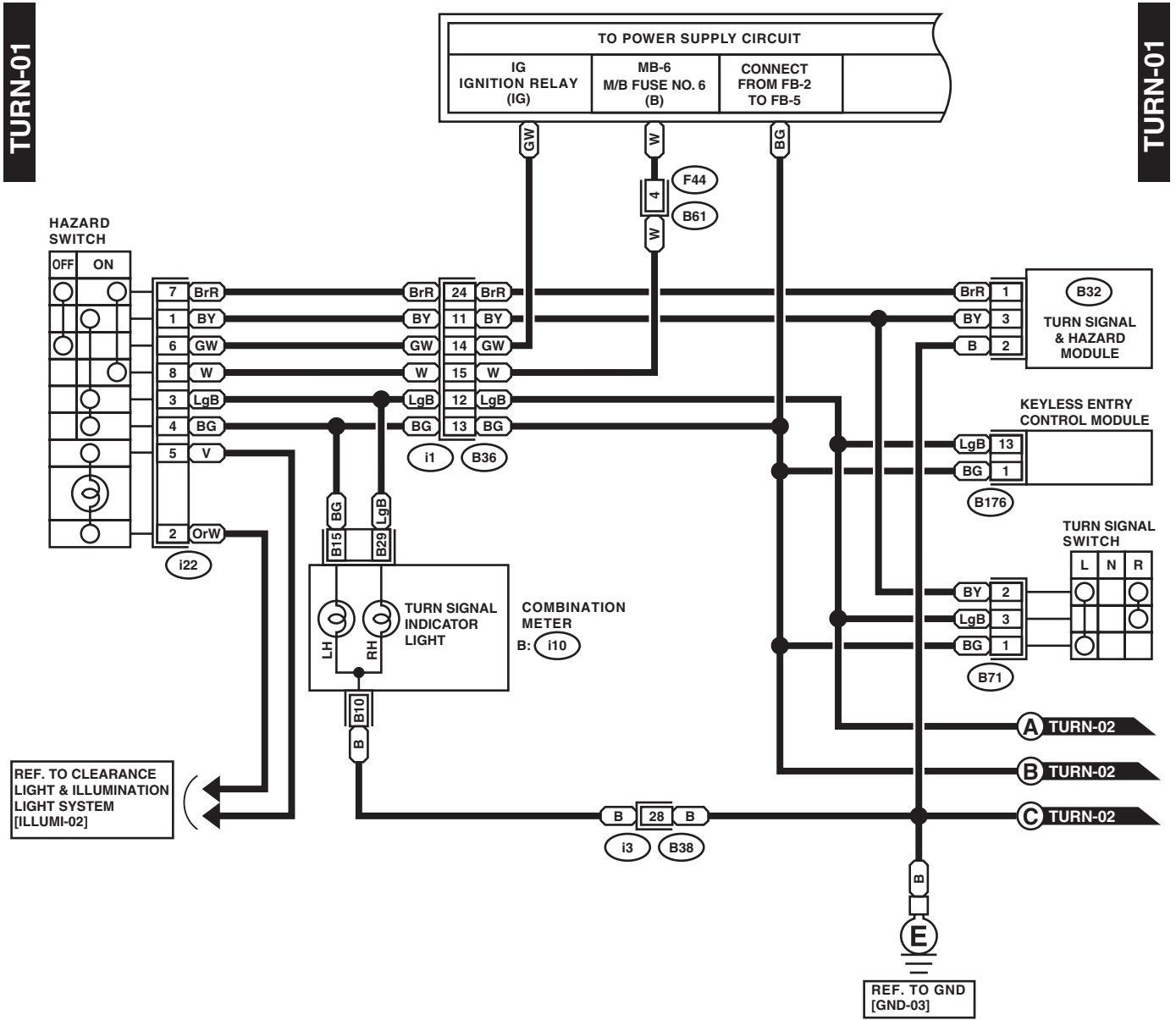


28. Turn Signal Light and Hazard Light System

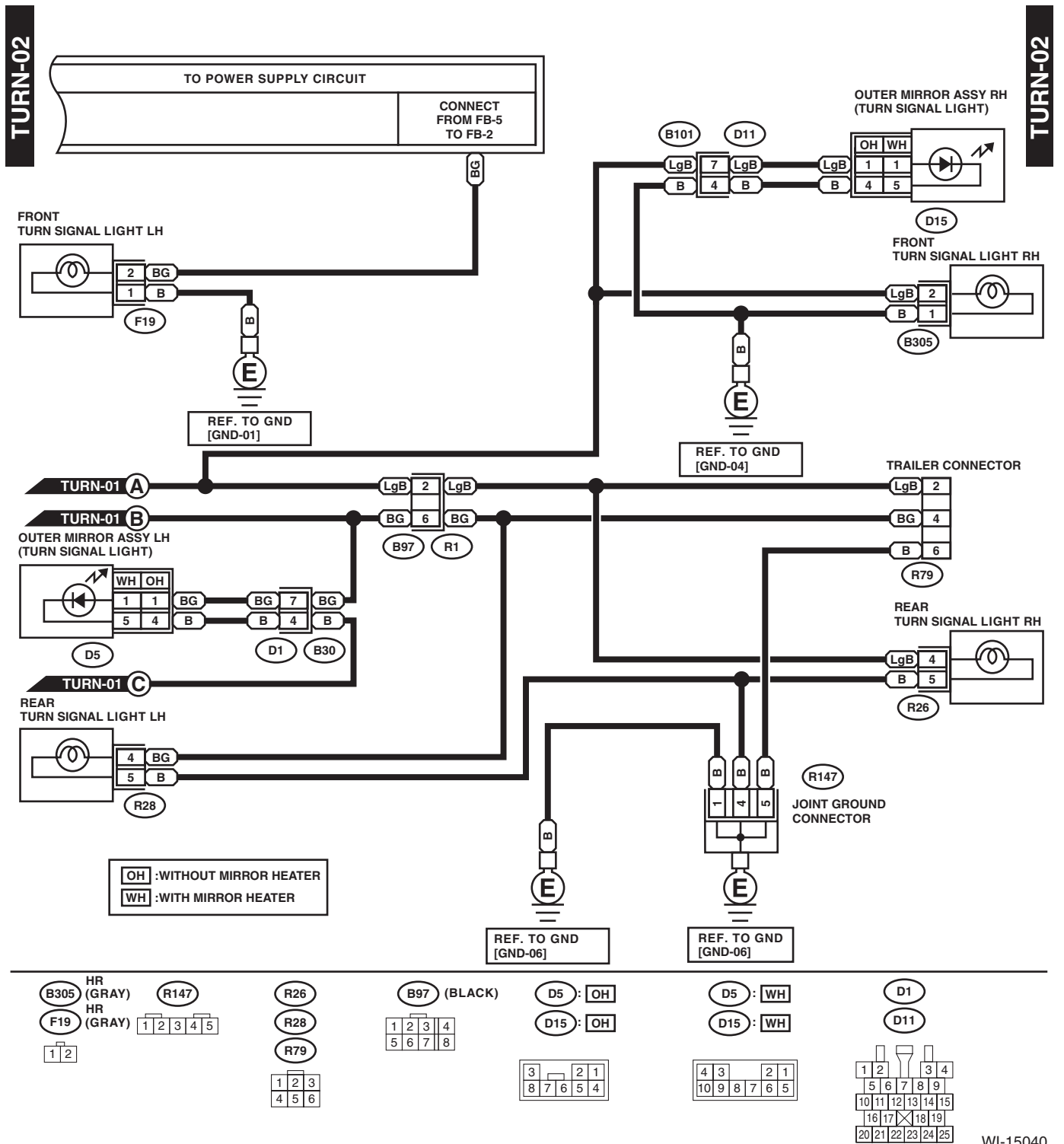
A: WIRING DIAGRAM



WI-12289

Turn Signal Light and Hazard Light System

WIRING SYSTEM



WI-15040