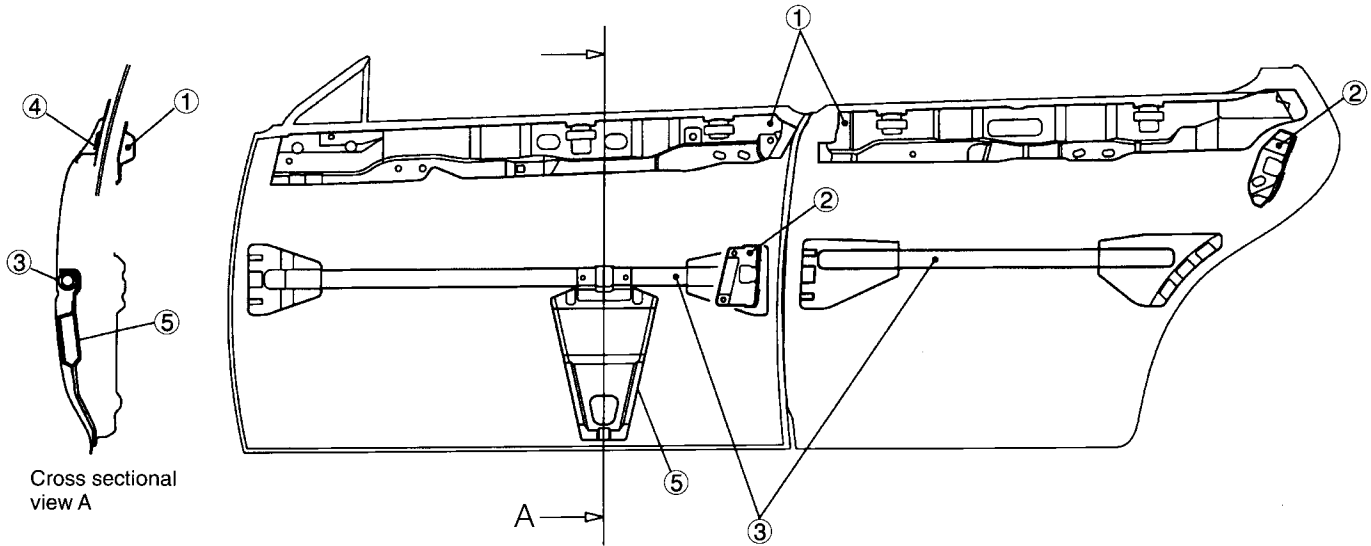


1. Door

2. DOOR CONSTRUCTION

All front and rear doors are fitted with a side door beam (front door is equipped with a pad), an inner upper reinforcement, an outer upper reinforcement and a reinforcement latch.

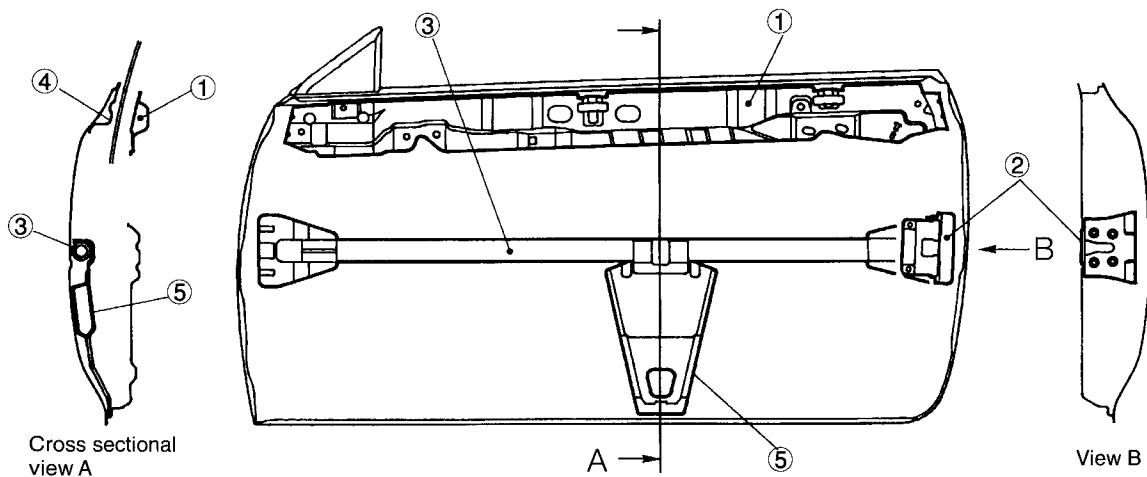
4-door and Wagon model



G5H0579

- ① Inner upper reinforcement
- ② Reinforcement latch
- ③ Side door beam
- ④ Outer upper reinforcement
- ⑤ Pad

Coupe model



G5H0624A

- ① Inner upper reinforcement
- ② Reinforcement latch
- ③ Side door beam
- ④ Outer upper reinforcement
- ⑤ Pad