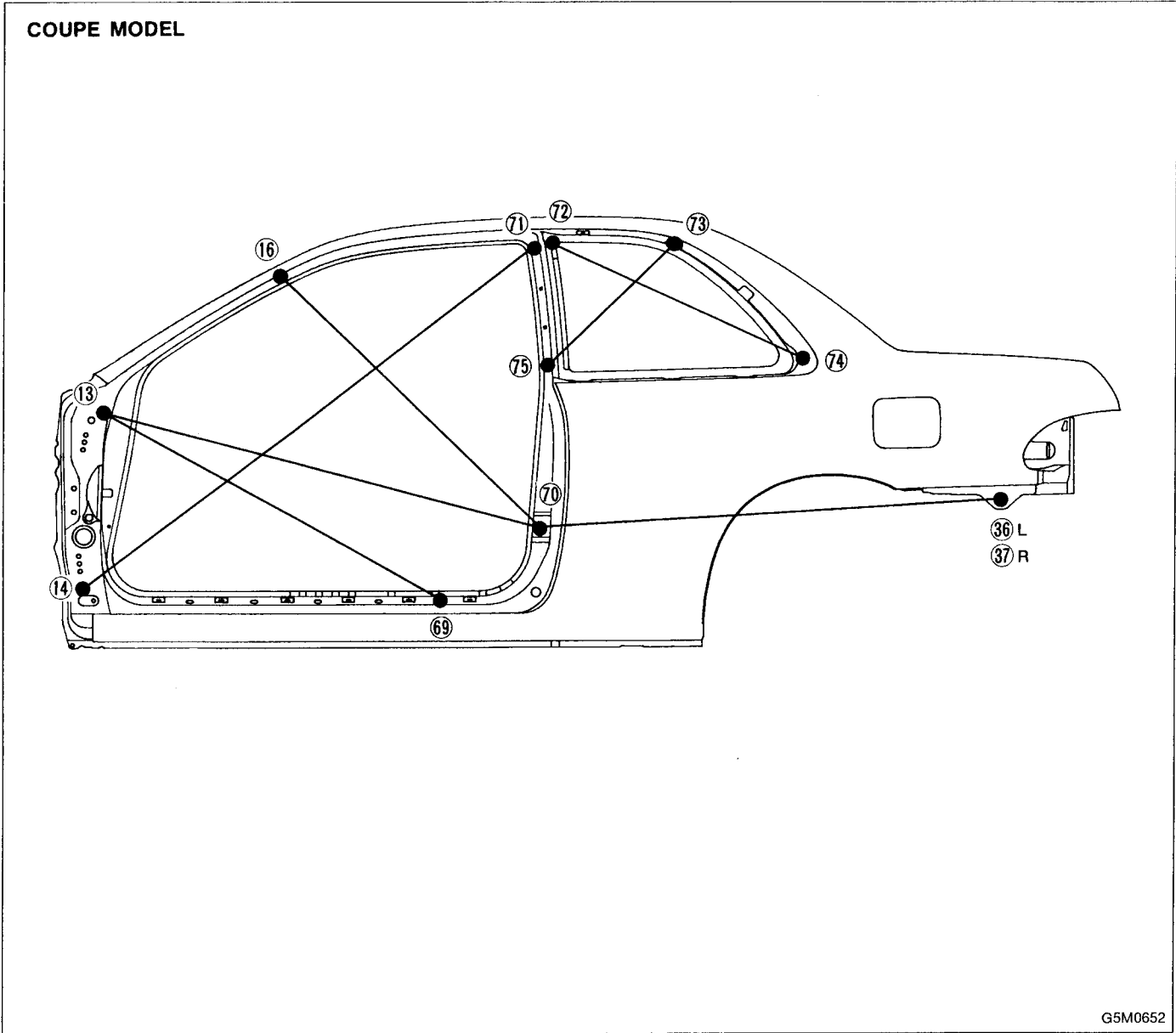


3. Datum Dimensions  
3. DOORS AND REAR QUARTER

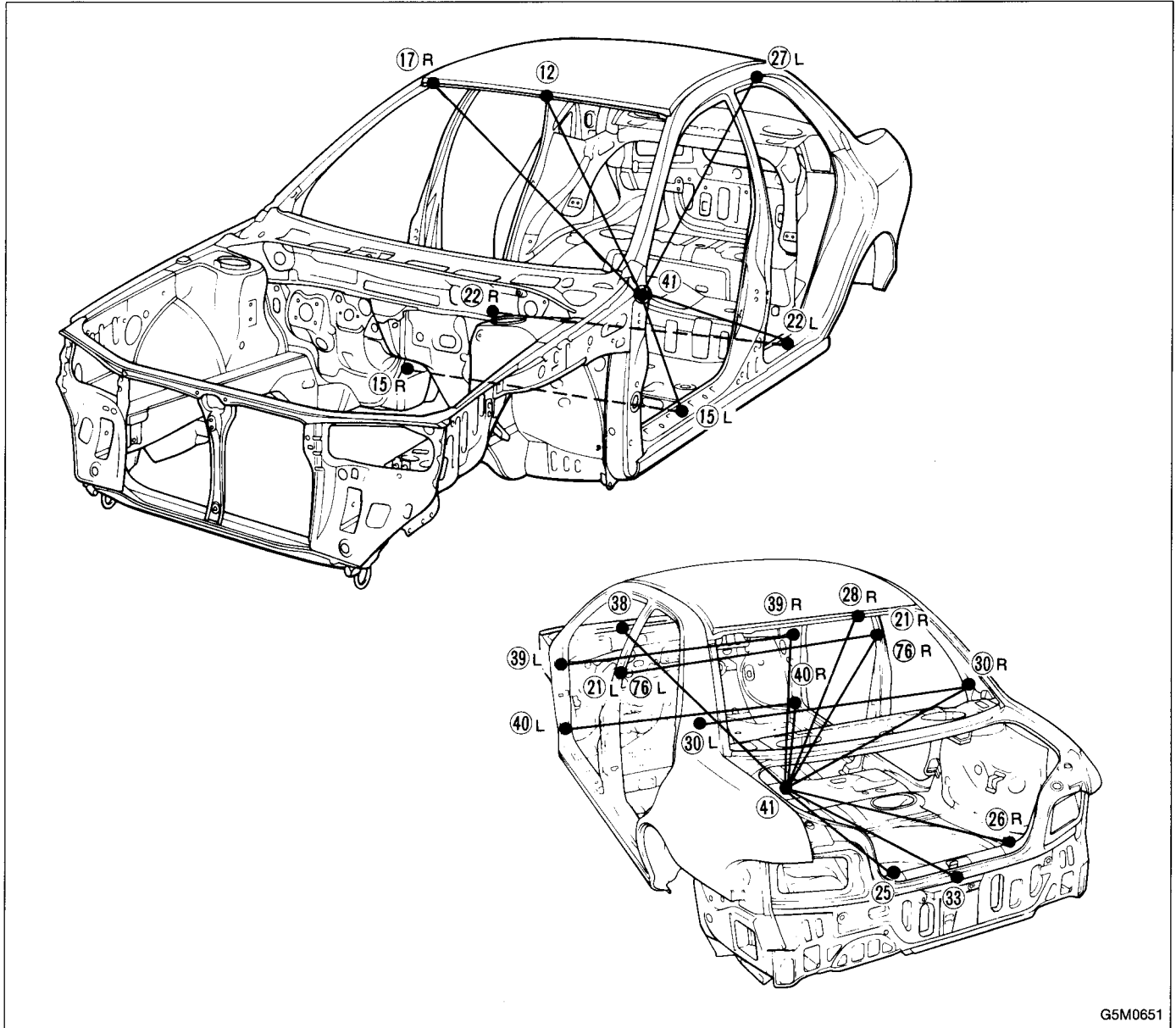


G5M0652

Unit: mm (in)

⑭	—	⑦①	:	1,576 (62.05)	⑦③	—	⑦⑤	:	512 (20.16)
⑬	—	⑦②	:	1,251 (49.25)	⑦④	—	③⑥ <sub>L</sub>	:	1,295 (50.98)
⑮	—	⑦③	:	997 (39.25)	⑦⑥	—	③⑦ <sub>R</sub>	:	1,243 (48.94)
⑯	—	⑦④	:	1,063 (41.85)					
⑰	—	⑦⑤	:	778 (30.63)					

6. COMPARTMENT



G5M0651

Unit: mm (in)

30 R	—	30 L	: 1,197 (47.13)	41	—	15 R	: 1,140 (44.88)	41	—	30 R	: 1,168 (45.98)	(Sedan)
21 R	—	21 L	: 1,061 (41.77)	41	—	15 L	: 733 (28.86)	41	—	30 L	: 1,050 (41.34)	(Sedan)
15 R	—	15 L	: 1,453 (57.20)	41	—	22 R	: 1,156 (45.51)	41	—	28 R	: 1,038 (40.87)	
22 R	—	22 L	: 1,453 (57.20)	41	—	22 L	: 1,085 (42.72)	41	—	28 L	: 1,208 (47.56)	
39 R	—	39 L	: 1,388 (54.65)	41	—	12	: 1,568 (61.73)	41	—	17 R	: 1,569 (61.77)	(Sedan)
40 R	—	40 L	: 1,401 (55.16)	41	—	27 R	: 1,184 (46.61)	41	—	17 L	: 1,212 (47.72)	(Coupe)
41	—	38	: 1,527 (60.12)	41	—	27 L		41	—	25		
41	—	39 R	: 1,524 (60.00)	41	—	26 R		76 R	—	76 L		
41	—	39 L		41	—	26 L						
41	—	40 R	: 1,756 (69.13)	41	—	25						
41	—	40 L										