

1. Supplemental Restraint System "Airbag"

Airbag system wiring harness is routed on and along body panels.

CAUTION:

- All Airbag system wiring harness and connectors are colored yellow. Do not use electrical test equipment on these circuit.
- Be careful not to damage Airbag system wiring harness when repairing the body panel.

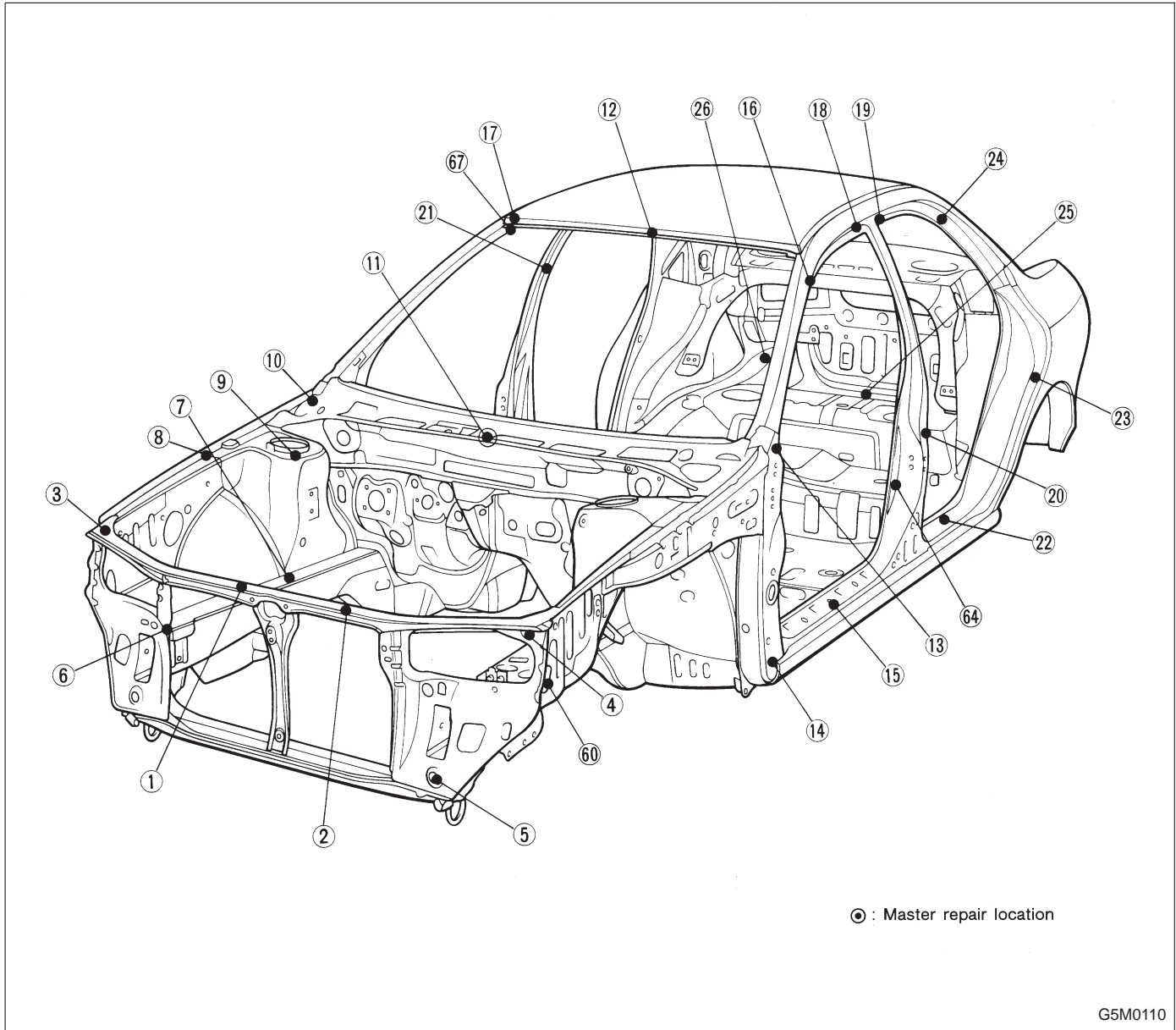
2. Body Datum Points

Various master repair locations are established as datum points used during body repairs. In addition, guide holes, locators and indents are provided to facilitate panel replacement and achieve alignment accuracy.

NOTE:

Left and right datum points are all symmetrical to each other.

1. ENGINE COMPARTMENT AND ROOM (SEDAN AND WAGON)



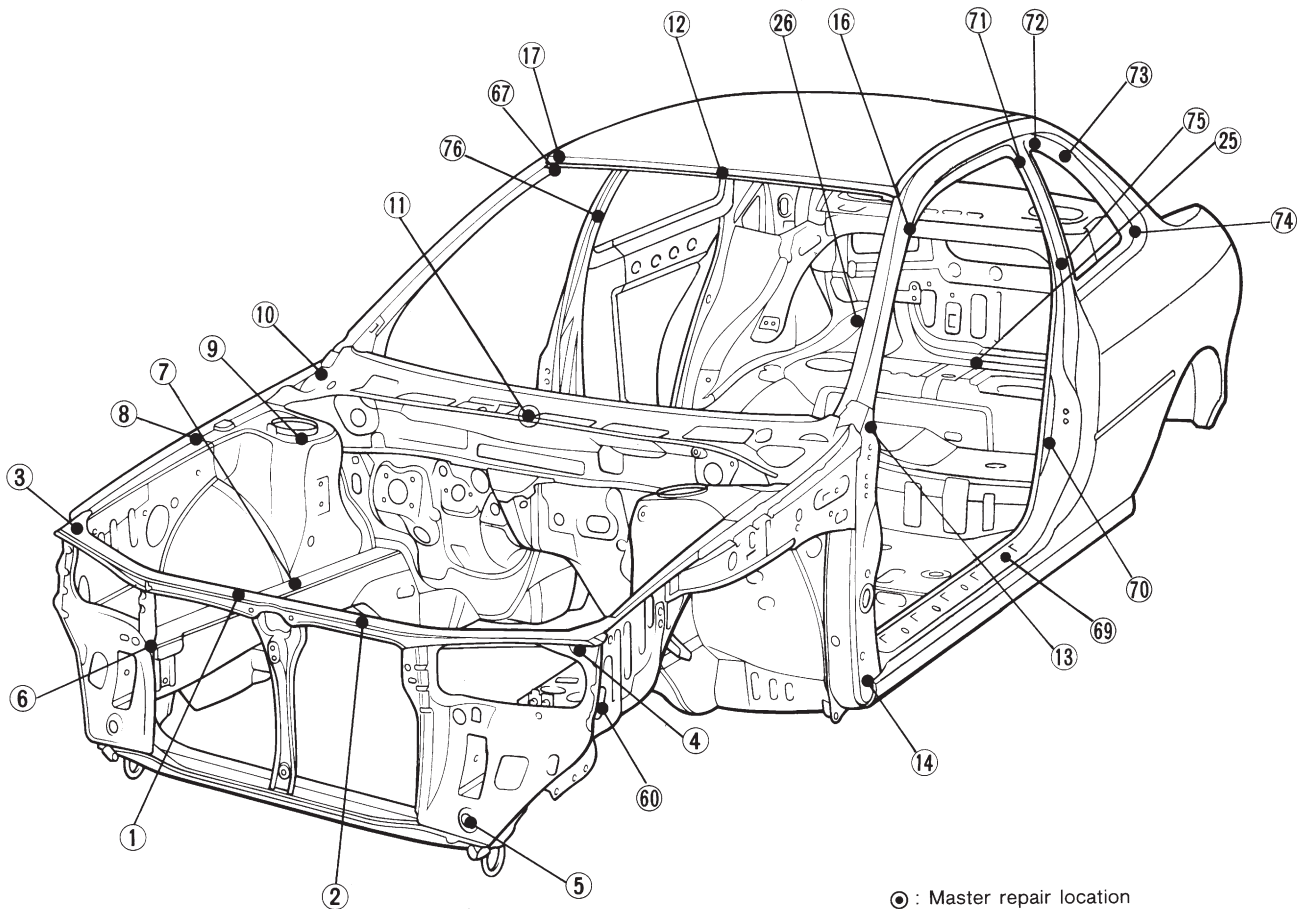
⊙ : Master repair location

G5M0110

- | | |
|---|--|
| <ul style="list-style-type: none"> ① Radiator panel (UPR) repair bolt hole M8 (Right) ② Radiator panel (UPR) repair bolt hole M8 (Left) ③ Fender attaching bolt hole M6 (Symmetrical) ④ Headlight attaching bolt hole M6 (Symmetrical) ⑤ Radiator panel side gauge hole 24 mm (0.94 in) dia. (Symmetrical) ⑥ Front bumper mounting hole 14 x 17 mm (0.55 x 0.67 in) dia. (Symmetrical) ⑦ Front crossmember attaching bolt hole 12.4 mm (0.488 in) dia. (Symmetrical) ⑧ Fender attaching bolt hole M6 (Symmetrical) ⑨ Front strut mounting hole 10 mm (0.39 in) dia. (Symmetrical) ⑩ Hood hinge attaching bolt hole M8 (Symmetrical) ⑪ Cowl panel mounting hole 5 mm (0.20 in) dia. (Located in center of vehicle.) ⑫ Front rail (Inner) mirror attaching bolt hole 8 mm (0.31 in) dia. ⑬ Fender attaching bolt hole M6 (Symmetrical) ⑭ Front pillar gauge hole 20 mm (0.79 in) dia. (Symmetrical) | <ul style="list-style-type: none"> ⑮ Wax coat hole, 20 mm (0.79 in) dia. (Symmetrical) ⑯ Retainer attaching square hole 7 mm (0.28 in) (Symmetrical) ⑰ Sun visor attaching hole 20 mm (0.79 in) dia. (Symmetrical) ⑱ Retainer attaching square hole 7 mm (0.28 in) (Symmetrical) ⑲ Retainer attaching square hole 7 mm (0.28 in) (Symmetrical) ⑳ Center pillar gauge hole 10 mm (0.39 in) dia. (Symmetrical) ㉑ Belt anchor attaching bolt hole (Symmetrical) ㉒ Wax coat hole, 20 mm (0.79 in) dia. (Symmetrical) ㉓ Rear door switch attaching hole 20 mm (0.79 in) dia. (Symmetrical) ㉔ Retainer attaching square hole 7 mm (0.28 in) (Symmetrical) ㉕ Spare tire attaching bolt hole M8 ㉖ Air draw hole 7 mm (0.28 in) dia. (Symmetrical) ⑳ Fender attaching bolt hole M6 (Symmetrical) ㉘ Door switch attaching hole 20 mm (0.79 in) dia. (Symmetrical) ㉙ Front glass attaching hole
Right 6.5 mm (0.256 in) dia.
Left 6.5 x 10 mm (0.256 x 0.39 in) dia. |
|---|--|

2. ENGINE COMPARTMENT AND ROOM (COUPE)

COUPE MODEL

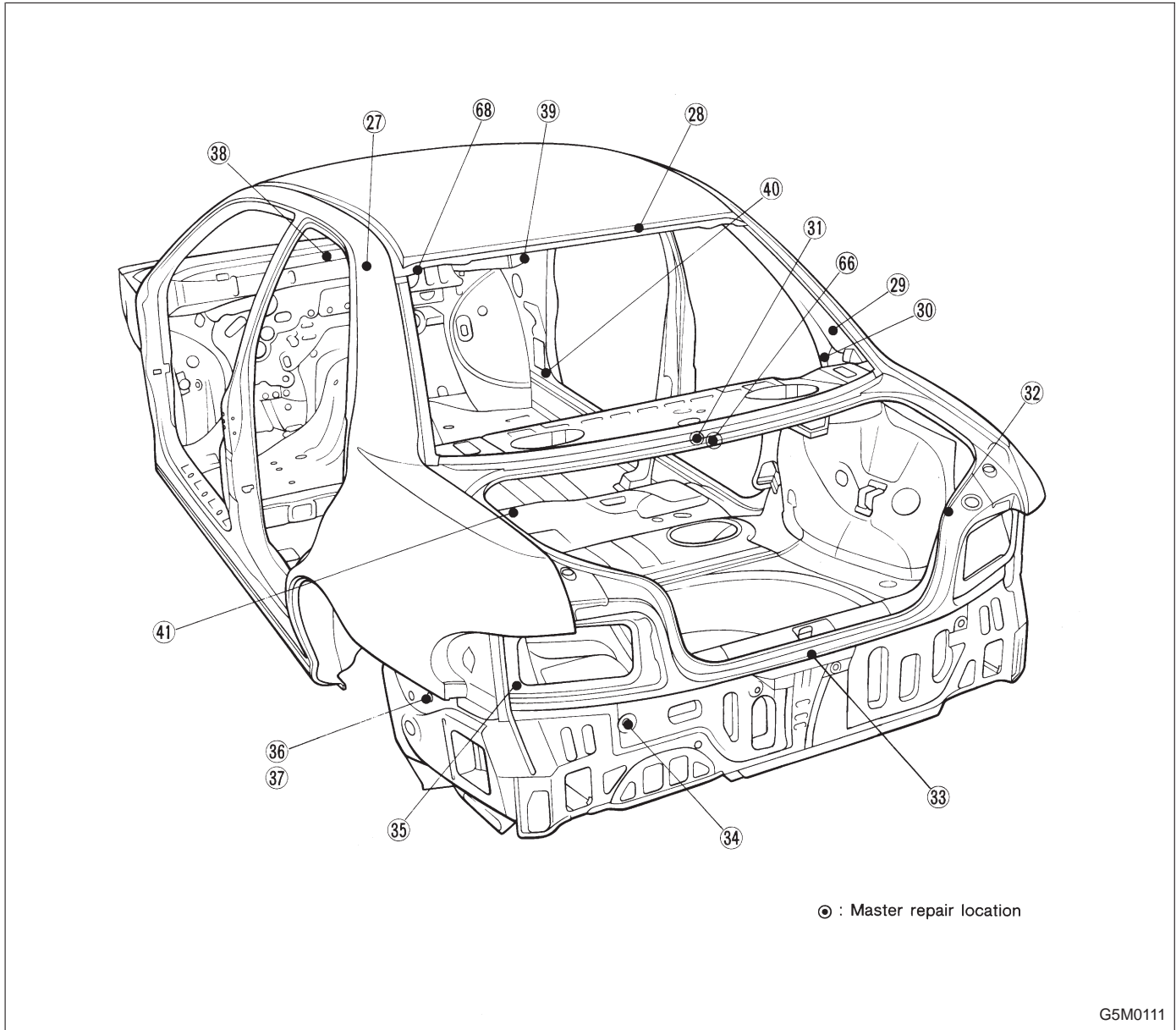


⊙ : Master repair location

G5M0643

- | | |
|---|---|
| ① Radiator panel (UPR) repair bolt hole M8 (Right) | ⑩ Retainer attaching square hole 10 mm (0.39 in) dia. (Symmetrical) |
| ② Radiator panel (UPR) repair bolt hole M8 (Left) | ⑪ Sun visor attaching hole 20 mm (0.79 in) dia. (Symmetrical) |
| ③ Fender attaching bolt hole M6 (Symmetrical) | ⑫ Spare tire attaching bolt hole M8 |
| ④ Headlight attaching bolt hole M6 (Symmetrical) | ⑬ Air draw hole 7 mm (0.28 in) dia. (Symmetrical) |
| ⑤ Radiator panel side gauge hole 24 mm (0.94 in) dia. (Symmetrical) | ⑭ Fender attaching bolt hole M6 (Symmetrical) |
| ⑥ Front bumper mounting hole 14 x 17 mm (0.55 x 0.67 in) dia. (Symmetrical) | ⑮ Front glass attaching hole
Right 6.5 mm (0.256 in) dia.
Left 6.5 x 10 mm (0.256 x 0.39 in) dia. |
| ⑦ Front crossmember attaching bolt hole 12.4 mm (0.488 in) dia. (Symmetrical) | ⑯ Wax coat hole 20 mm (0.79 in) dia. (Symmetrical) |
| ⑧ Fender attaching bolt hole M6 (Symmetrical) | ⑰ Door switch attaching hole 13.5 mm (0.531 in) dia. (Symmetrical) |
| ⑨ Front strut mounting hole 10 mm (0.39 in) dia. (Symmetrical) | ⑱ Retainer attaching square hole 8 mm (0.31 in). (Symmetrical) |
| ⑩ Hood hinge attaching bolt hole M8 (Symmetrical) | ⑲ Rear quarter glass attaching hole 8 mm (0.31 in) dia. (Symmetrical) |
| ⑪ Cowl panel mounting hole 5 mm (0.20 in) dia.
(Located in center of vehicle.) | ⑳ Rear quarter glass attaching hole 7 mm (0.28 in) dia. (Symmetrical) |
| ⑫ Front rail (Inner) mirror attaching bolt hole 8 mm (0.31 in) dia. | ㉑ Rear quarter glass attaching hole 8 x 5.5 mm (0.31 x 0.217 in) dia. (Symmetrical) |
| ⑬ Fender attaching bolt hole M6 (Symmetrical) | ㉒ Retainer attaching square hole 8 mm (0.31 in). (Symmetrical) |
| ⑭ Front pillar gauge hole 20 mm (0.79 in) dia. (Symmetrical) | ㉓ Seat belt anchor attaching bolt hole 16 mm (0.63 in) dia. (Symmetrical) |
| | ㉔ Retainer attaching square hole 7 mm (0.28 in) (Symmetrical) |
| | ㉕ Sun visor attaching hole 20 mm (0.79 in) dia. (Symmetrical) |
| | ㉖ Spare tire attaching bolt hole M8 |
| | ㉗ Air draw hole 7 mm (0.28 in) dia. (Symmetrical) |
| | ㉘ Fender attaching bolt hole M6 (Symmetrical) |
| | ㉙ Front glass attaching hole
Right 6.5 mm (0.256 in) dia.
Left 6.5 x 10 mm (0.256 x 0.39 in) dia. |
| | ㉚ Wax coat hole 20 mm (0.79 in) dia. (Symmetrical) |
| | ㉛ Door switch attaching hole 13.5 mm (0.531 in) dia. (Symmetrical) |
| | ㉜ Retainer attaching square hole 8 mm (0.31 in). (Symmetrical) |
| | ㉝ Rear quarter glass attaching hole 8 mm (0.31 in) dia. (Symmetrical) |
| | ㉞ Rear quarter glass attaching hole 7 mm (0.28 in) dia. (Symmetrical) |
| | ㉟ Rear quarter glass attaching hole 8 x 5.5 mm (0.31 x 0.217 in) dia. (Symmetrical) |
| | ㊱ Retainer attaching square hole 8 mm (0.31 in). (Symmetrical) |
| | ㊲ Seat belt anchor attaching bolt hole 16 mm (0.63 in) dia. (Symmetrical) |

3. LUGGAGE COMPARTMENT AND ROOM (SEDAN AND COUPE)

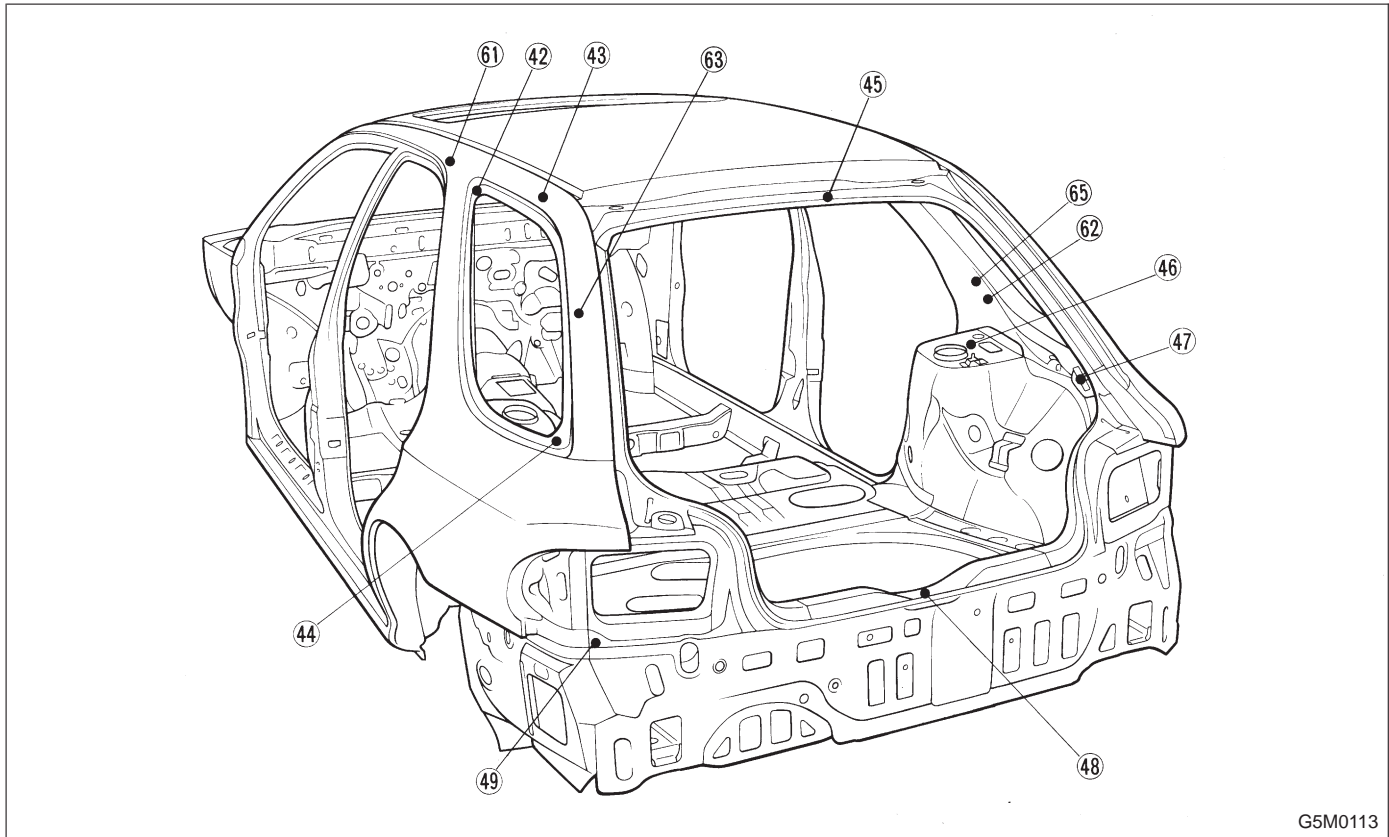


⊙ : Master repair location

G5M0111

- ②⑦ Rear pillar (Inner) gauge hole 8 mm (0.31 in) dia. (Symmetrical)
- ②⑧ Rear roof trim attaching hole 8 mm (0.31 in) dia. (Symmetrical)
- ②⑨ Rear quarter trim attaching hole 8 mm (0.31 in) dia. (Symmetrical)
- ③⑩ Seat belt anchor attaching bolt hole (Symmetrical)
- ③① Reinforcement (Rear panel rear) repair locator (Located in center of vehicle)
- ③② Rear corner patch at flange (Symmetrical)
- ③③ Rear skirt (UPR) cutout (Repair locator)
- ③④ Rear skirt gauge hole 20 mm (0.79 in) dia. (Symmetrical)
- ③⑤ Rear combination light mounting hole 9 mm (0.35 in) dia. (Symmetrical)
- ③⑥ Rear quarter bumper side gauge hole 20 mm (0.79 in) dia. (Left)
- ③⑦ Rear quarter bumper side gauge hole 20 mm (0.79 in) dia. (Right)
- ③⑧ Instrument panel attaching square hole 22 x 34.5 mm (0.87 x 1.358 in) (Right)
- ③⑨ Steering support beam attaching bolt hole M8 (Symmetrical)
- ④⑩ Front pillar (Inner) gauge hole 10 mm (0.39 in) dia. (Symmetrical)
- ④① Floor mat attaching clip hole 8 mm (0.31 in) dia. (Symmetrical)
- ⑥⑥ Rear panel (Center) repair locator (Located in center of vehicle.)
- ⑥⑧ Rear glass attaching hole
(Right): 6.5 mm (0.256 in) dia.
(Left): 6.5 x 10 mm (0.256 x 0.39 in) dia.

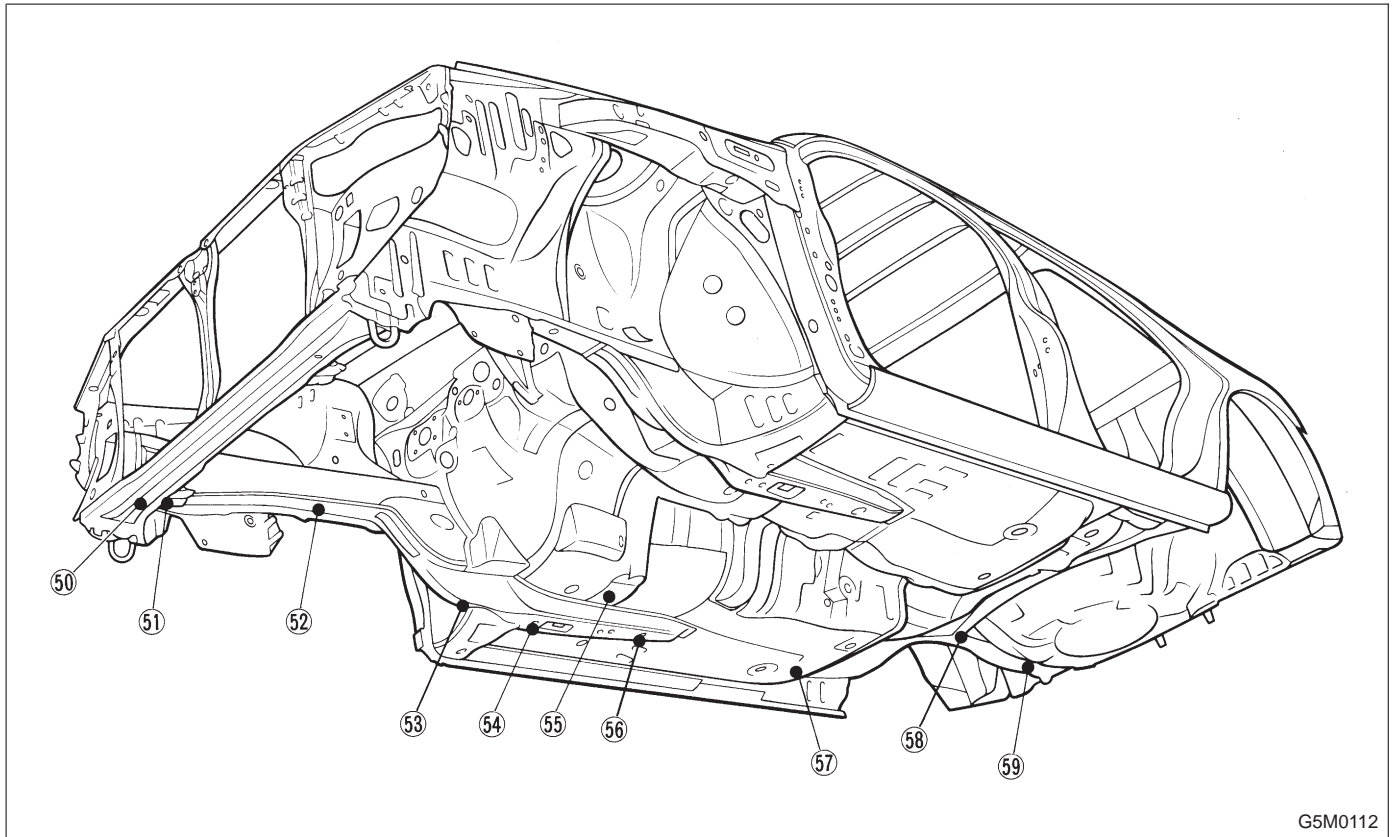
4. LUGGAGE COMPARTMENT AND ROOM (WAGON)



G5M0113

- ④ Rear quarter glass attaching hole 8 mm (0.31 in) dia. (Symmetrical)
- ⑤ Roof rail attaching hole 10 mm (0.39 in) dia. (Symmetrical)
- ④ Rear quarter glass attaching hole 8 x 15 mm (0.31 x 0.59 in) dia. (Symmetrical)
- ⑤ Rear roof trim attaching hole 8 mm (0.31 in) dia. (Symmetrical)
- ⑥ Rear strut mounting hole 10 mm (0.39 in) dia. (Symmetrical)
- ⑦ Rear gate stay attaching bolt hole M8 (Symmetrical)
- ⑧ Child seat anchor attaching bolt hole
- ⑨ Rear combination light mounting hole 10 mm (0.39 in) dia. (Symmetrical)
- ① Side rail (Inner) gauge hole 8 mm (0.31 in) dia. (Symmetrical)
- ② Rear quarter trim attaching hole 8 mm (0.31 in) dia. (Symmetrical)
- ③ Rear quarter harness attaching clip hole 7 mm (0.28 in) dia. (Symmetrical)
- ⑥ Seat belt anchor attaching bolt hole (Symmetrical)

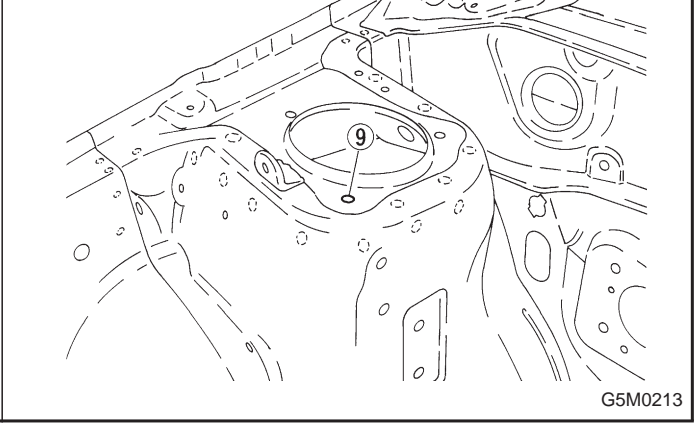
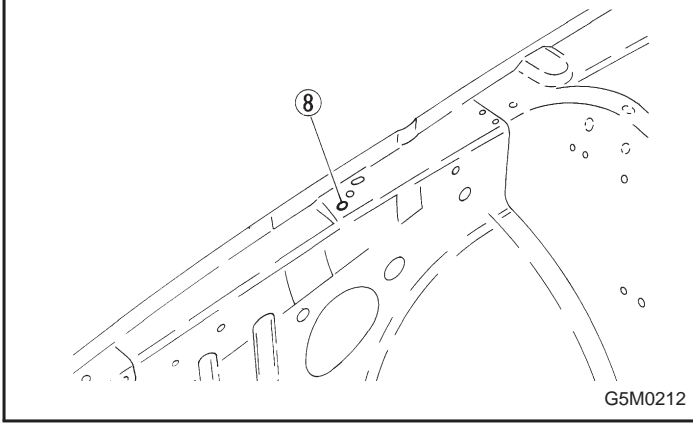
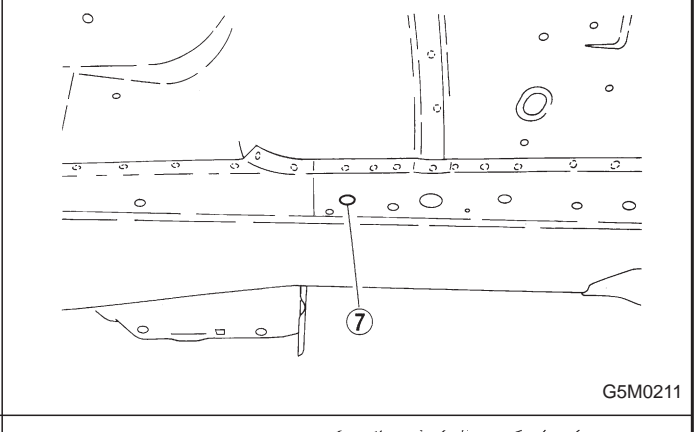
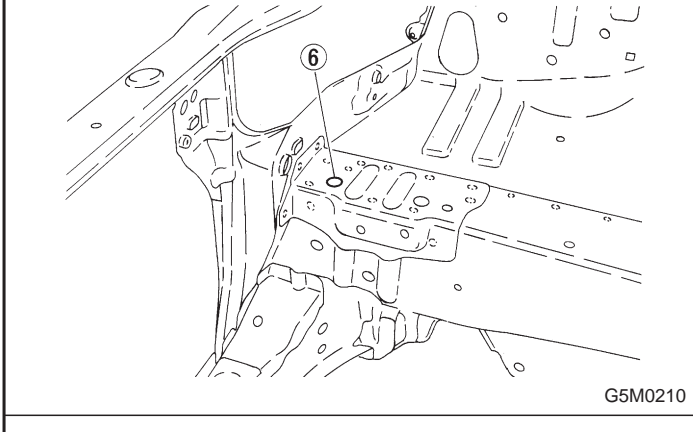
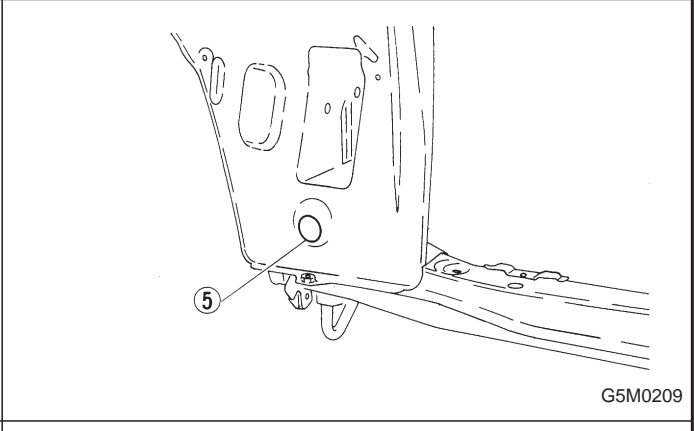
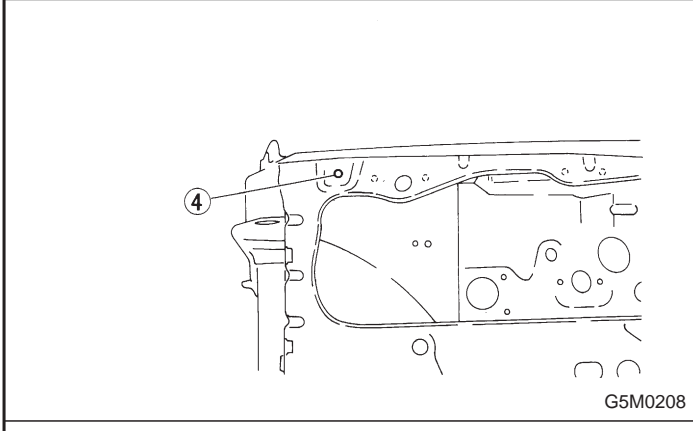
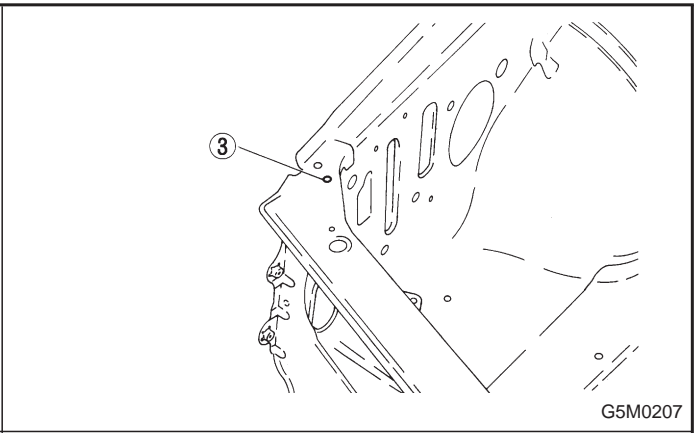
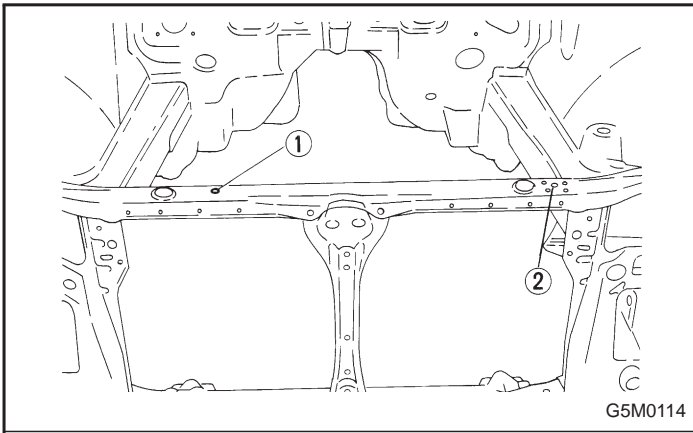
5. UNDER BODY

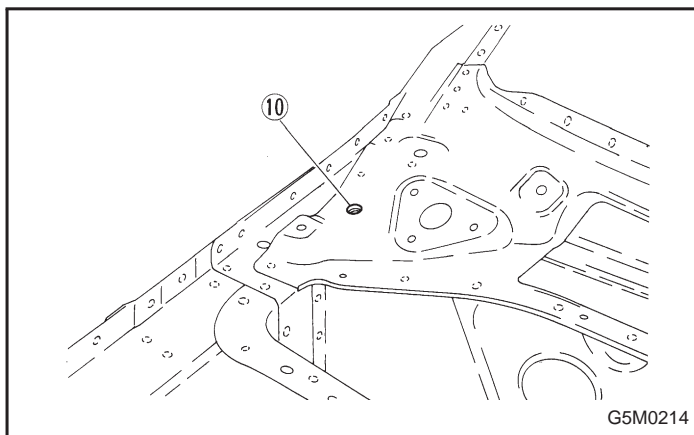


G5M0112

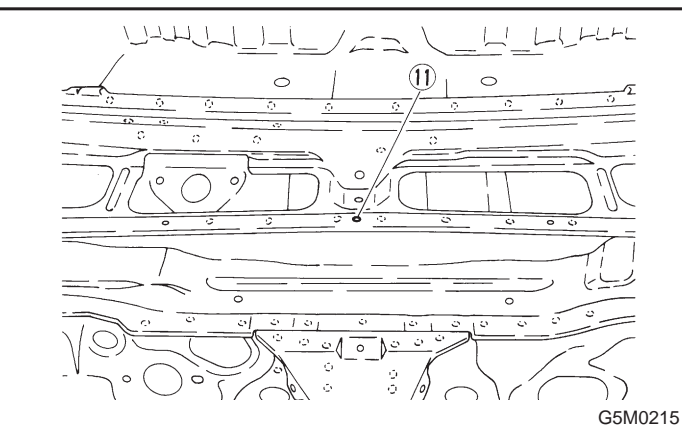
- ⑤⑩ Radiator panel (LWR) frame gauge hole 15 mm (0.59 in) dia. (Symmetrical)
- ⑤⑪ Front side frame gauge hole 20 mm (0.79 in) dia. (Symmetrical)
- ⑤⑫ Front crossmember attaching hole 12.4 mm (0.488 in) dia. (Symmetrical)
- ⑤⑬ Front suspension attaching bolt hole M14
- ⑤⑭ Side frame gauge hole 20 mm (0.79 in) dia. (Symmetrical)
- ⑤⑮ Transmission mount attaching bolt hole M10 (Symmetrical)
- ⑤⑯ Side frame gauge hole 15 mm (0.59 in) dia. (Symmetrical)
- ⑤⑰ Rear differential attaching bolt hole M12 (Symmetrical)
- ⑤⑱ Rear suspension attaching bolt hole M12 (Symmetrical)
- ⑤⑲ Rear side frame gauge hole 15 mm (0.59 in) dia. (Symmetrical)

2. Body Datum Points

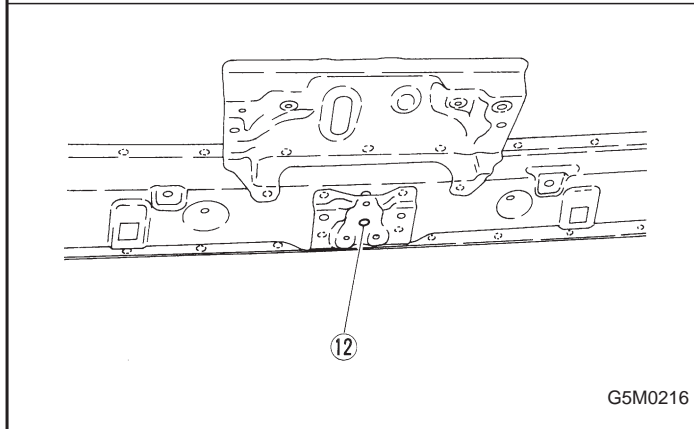




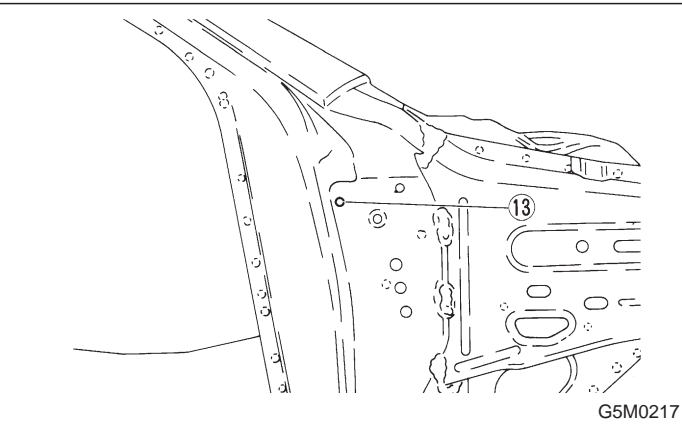
G5M0214



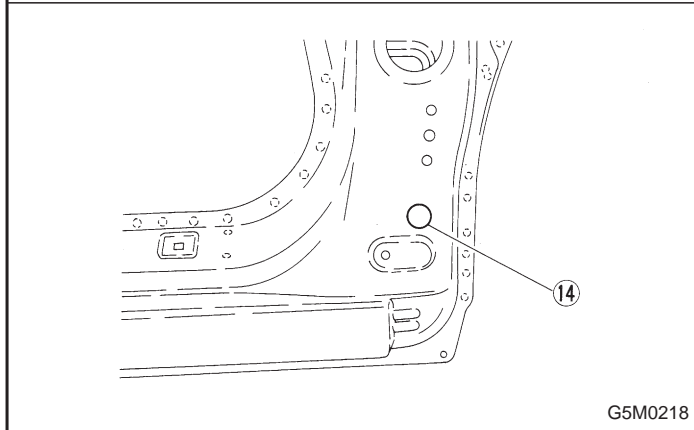
G5M0215



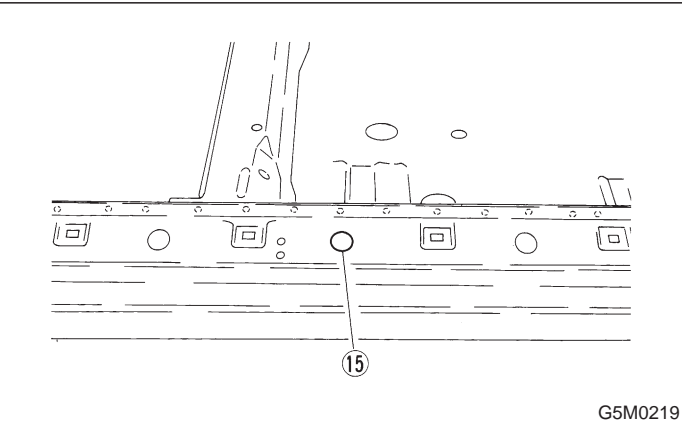
G5M0216



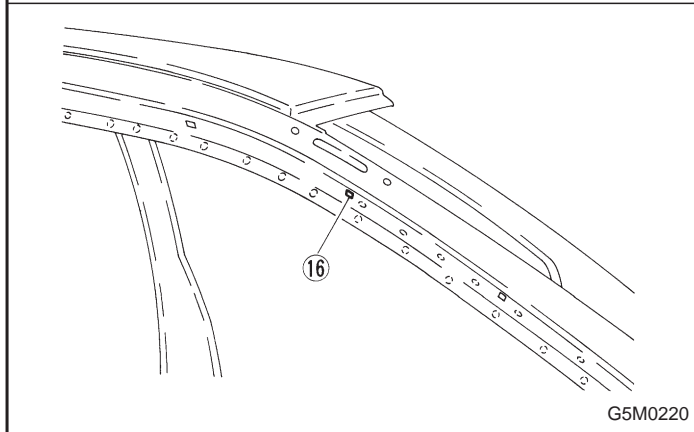
G5M0217



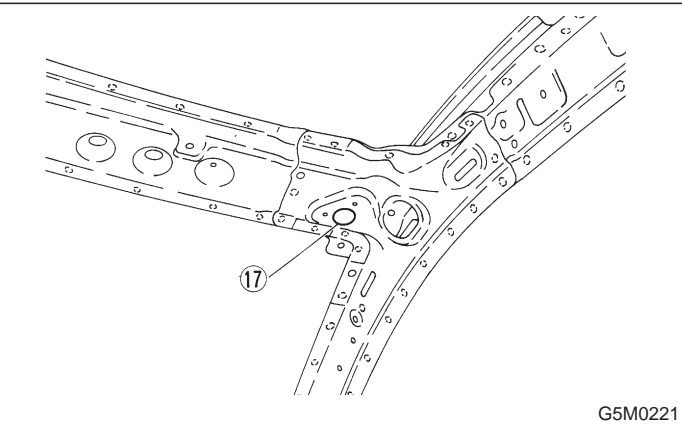
G5M0218



G5M0219

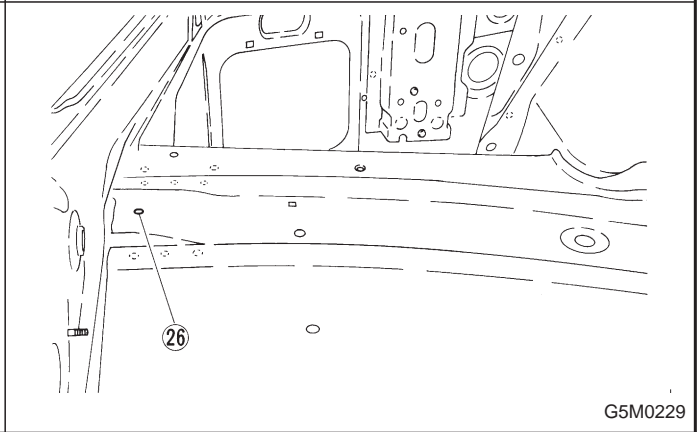
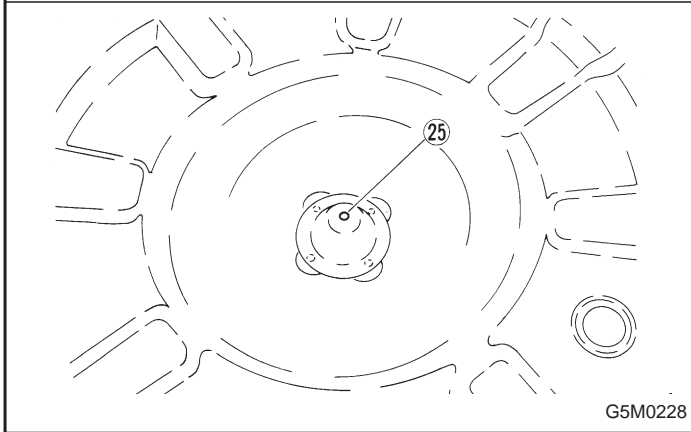
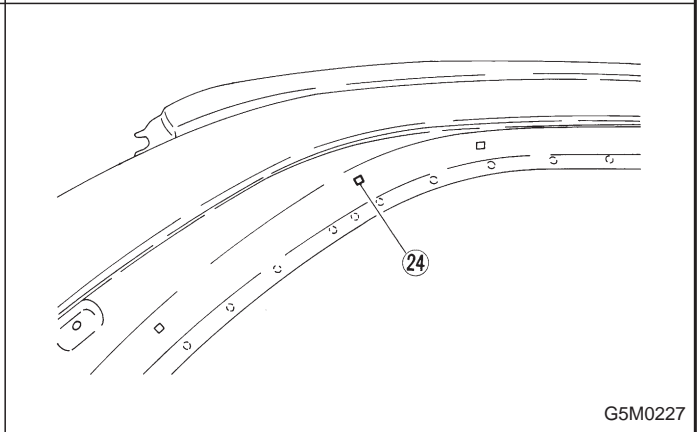
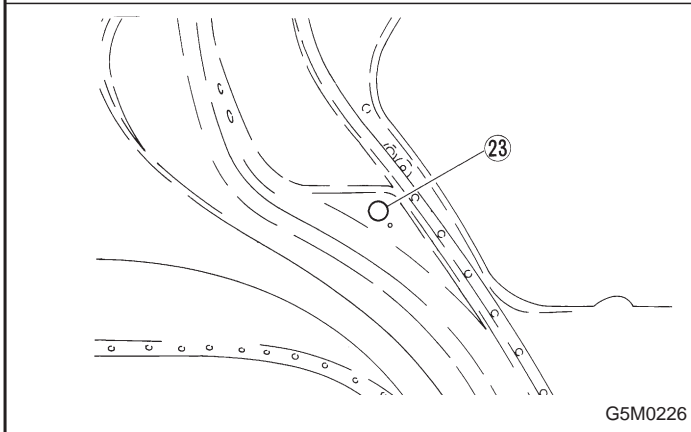
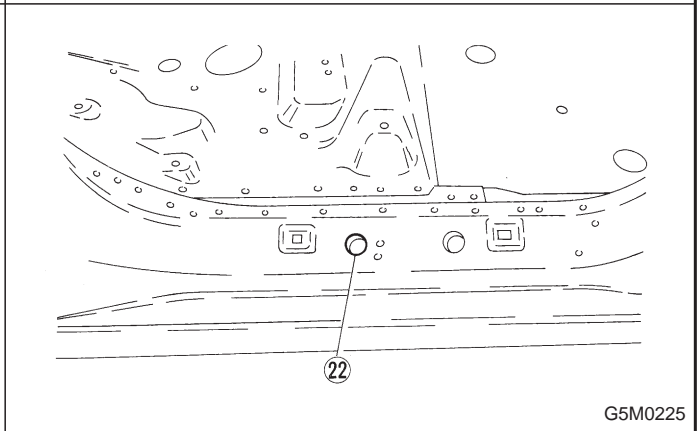
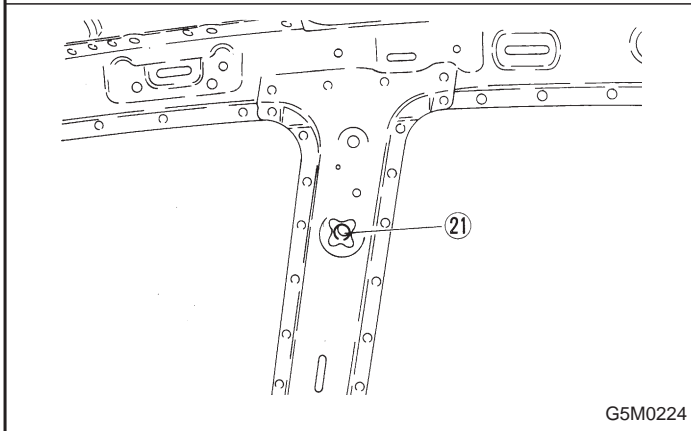
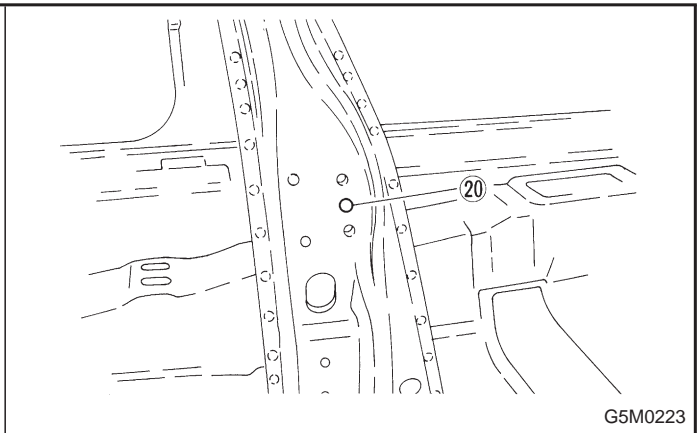
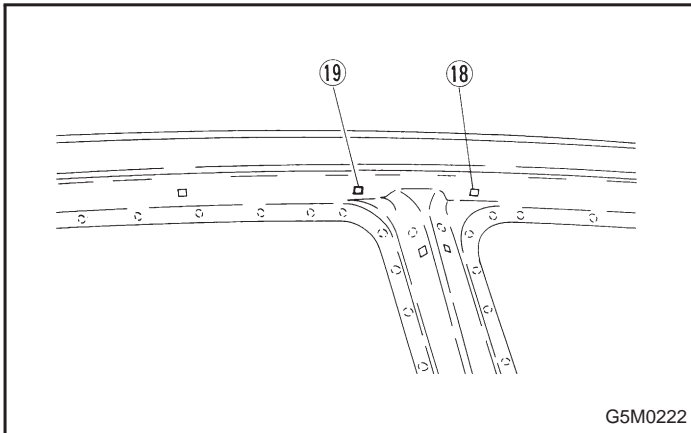


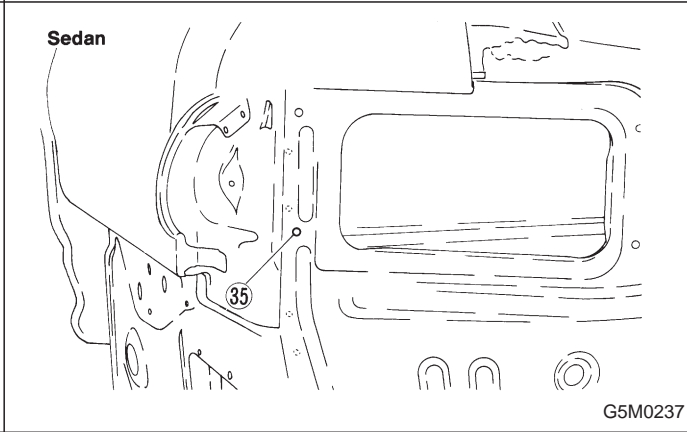
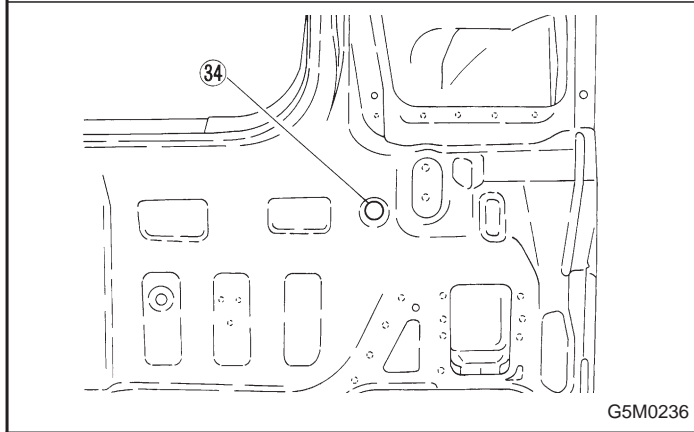
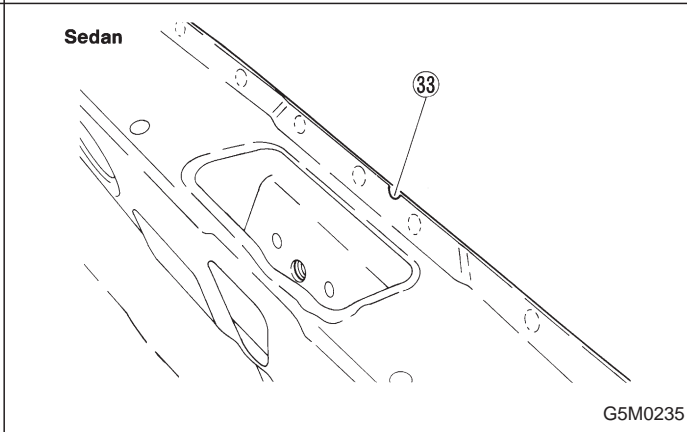
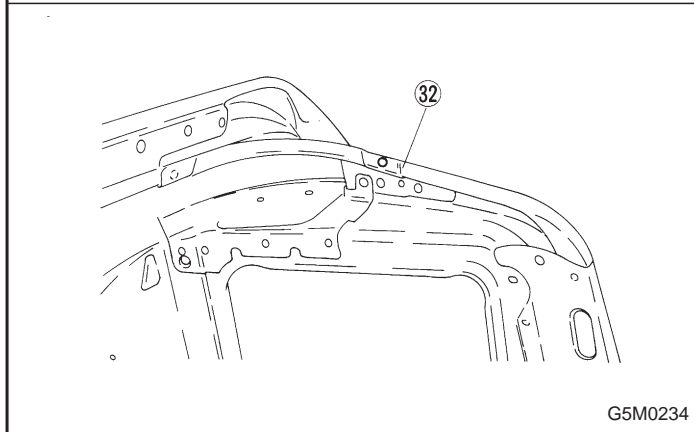
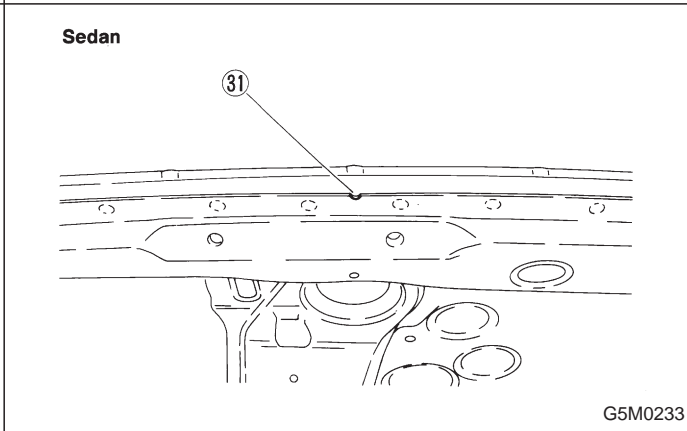
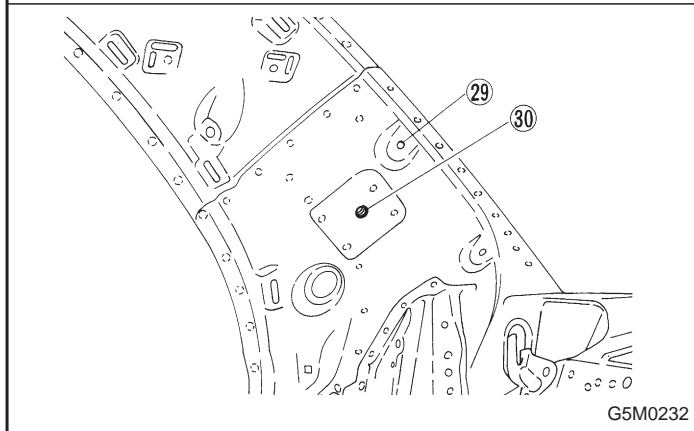
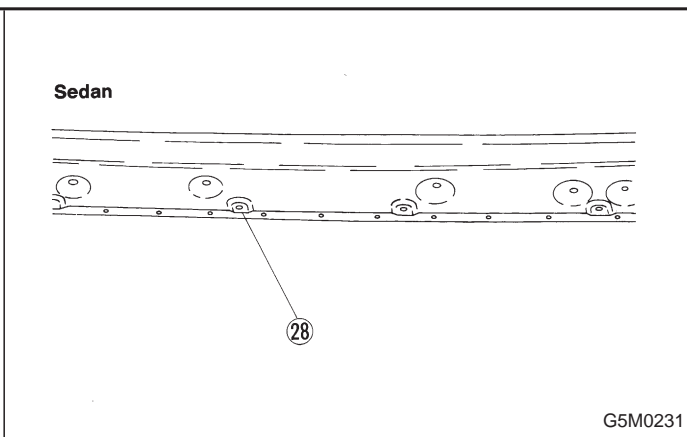
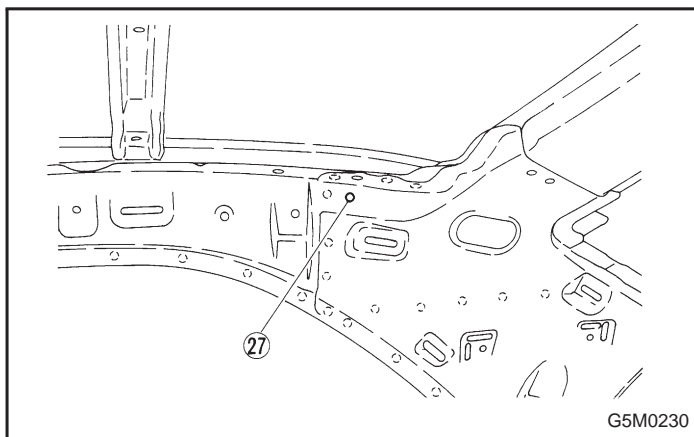
G5M0220



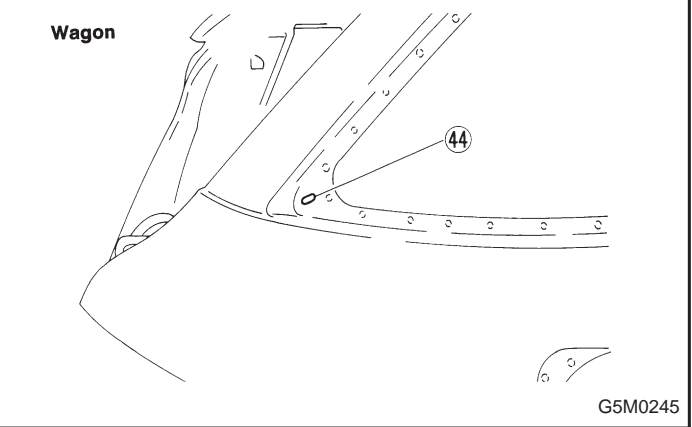
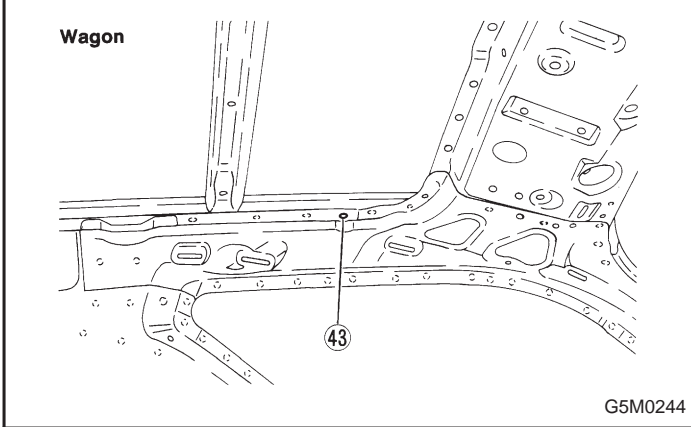
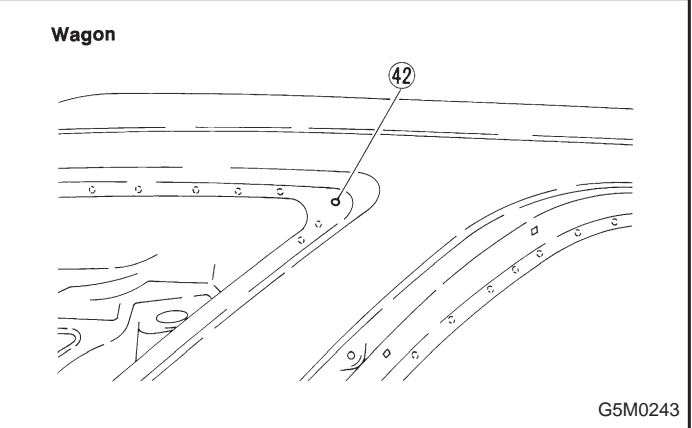
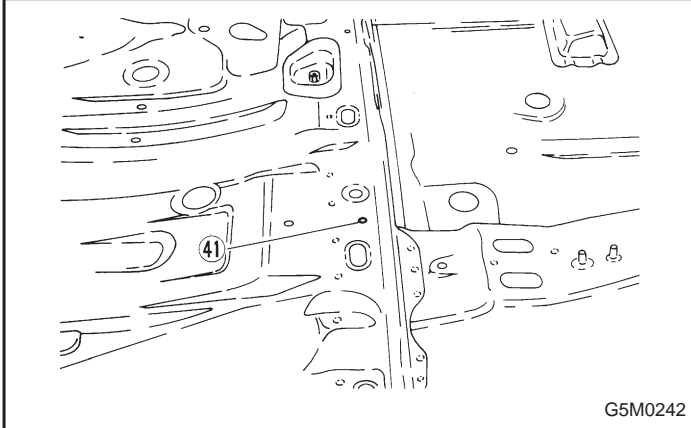
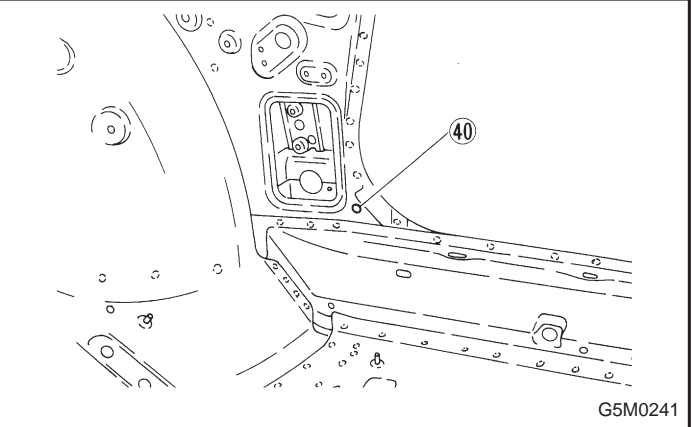
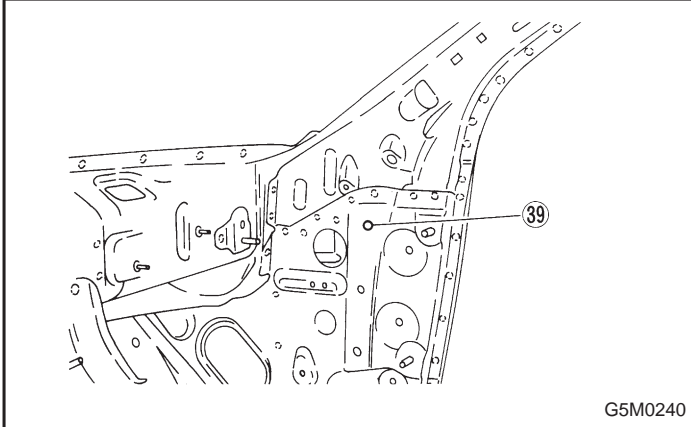
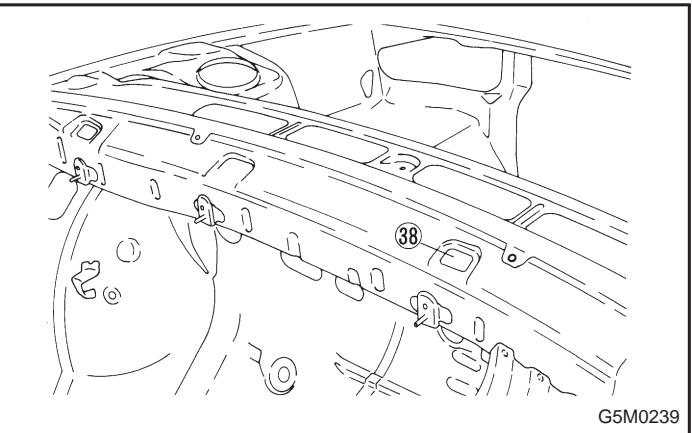
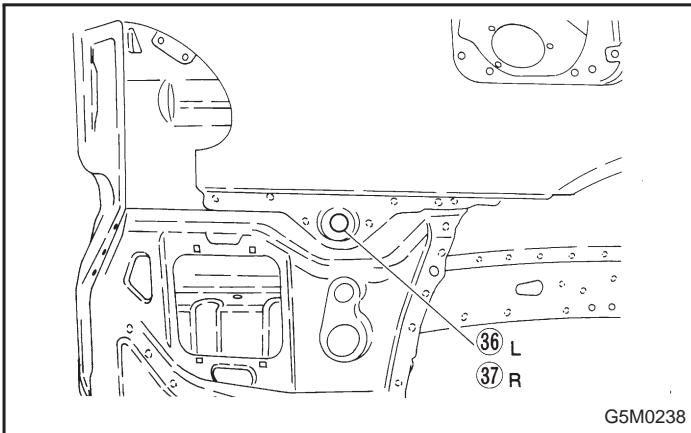
G5M0221

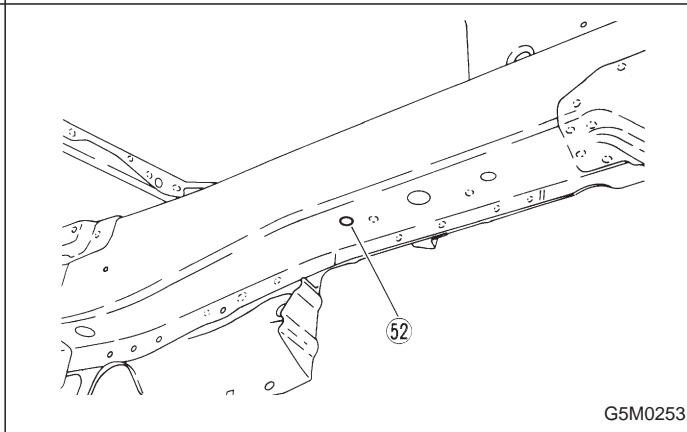
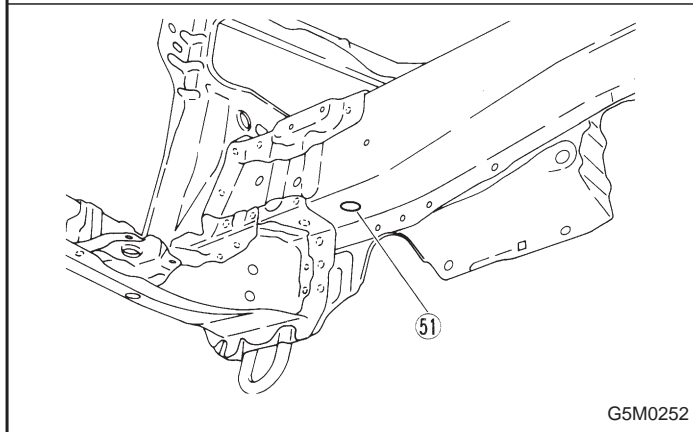
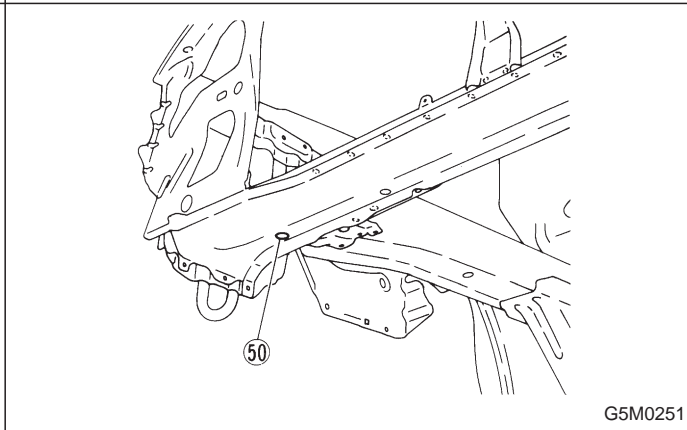
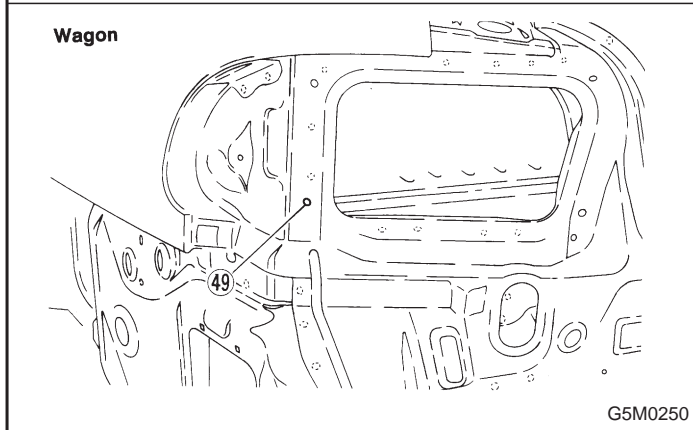
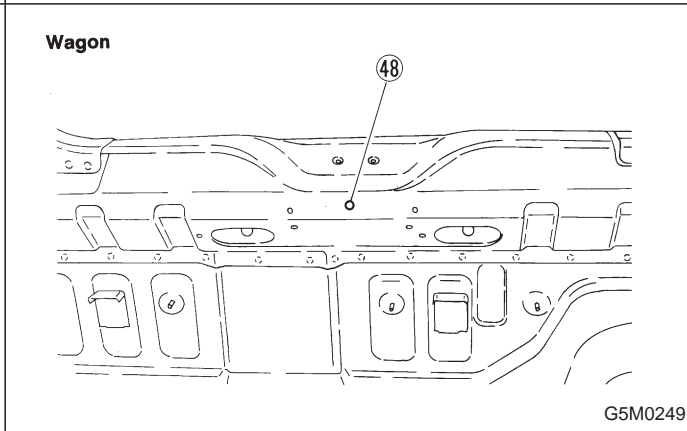
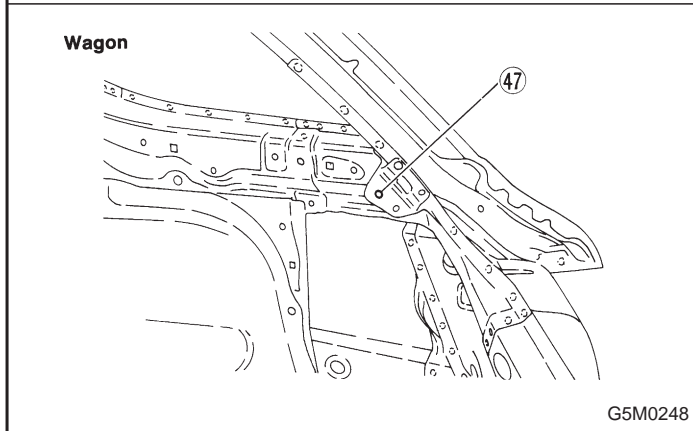
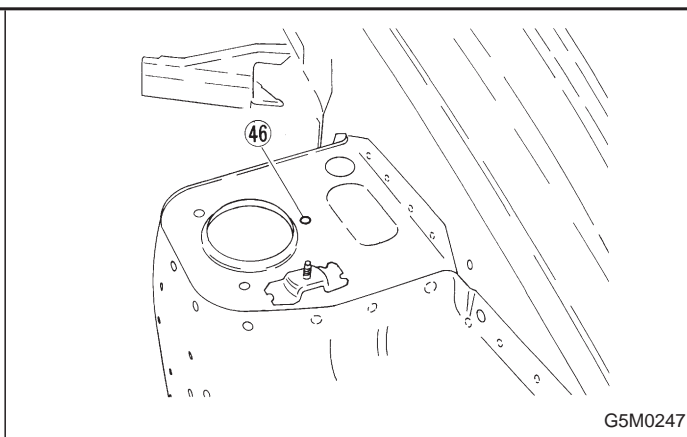
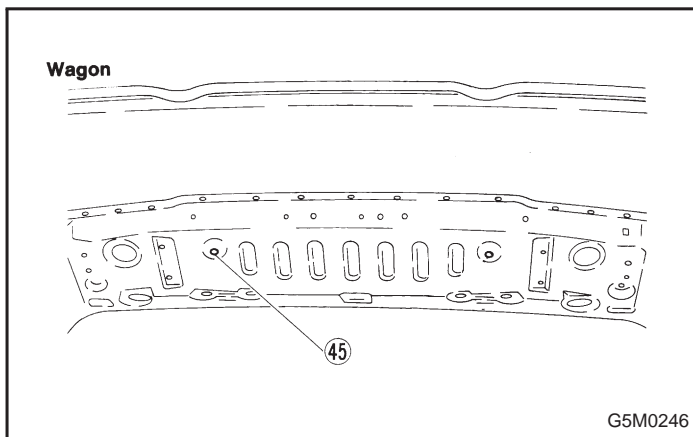
2. Body Datum Points



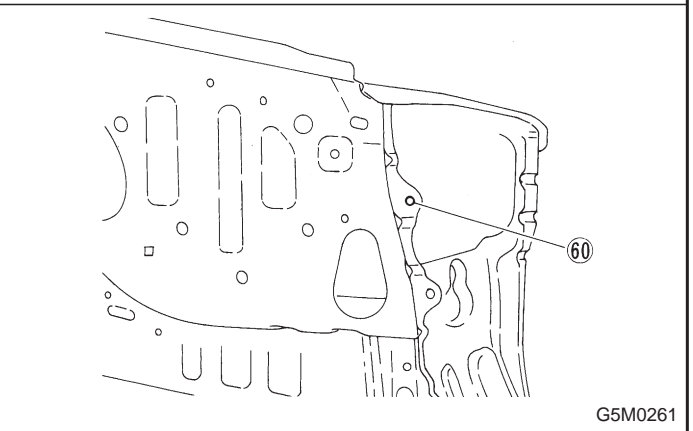
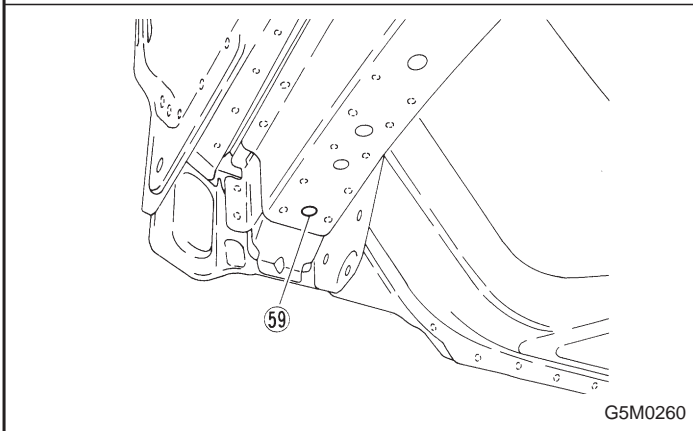
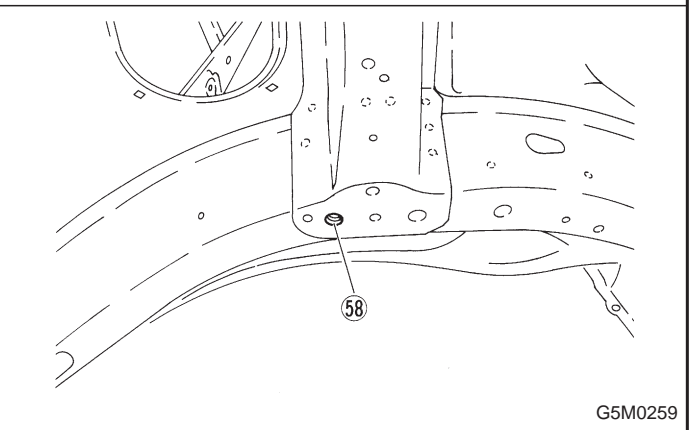
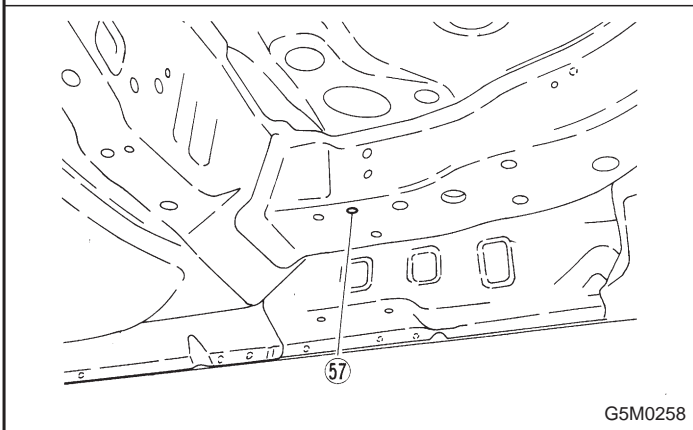
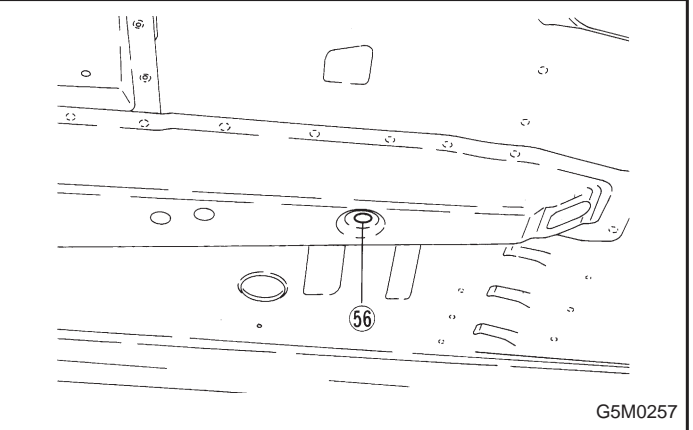
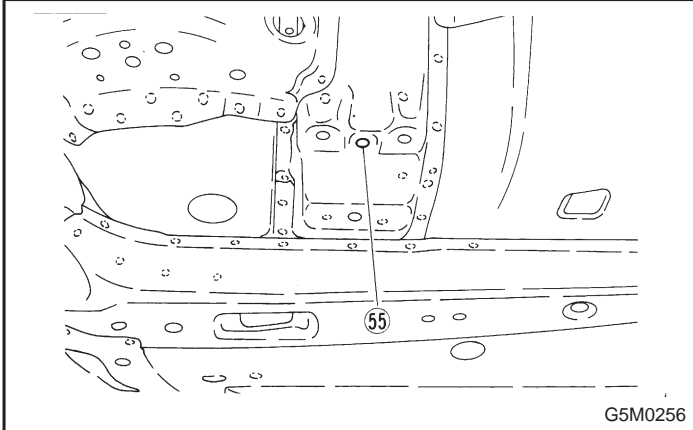
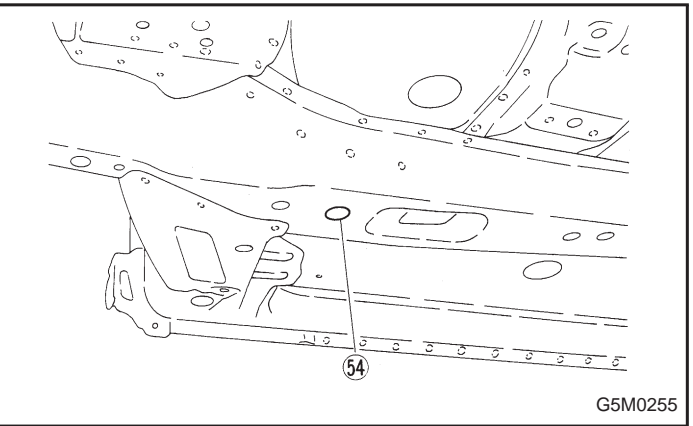
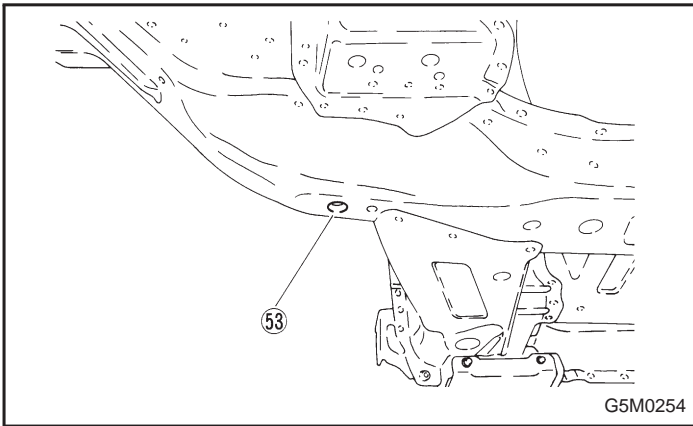


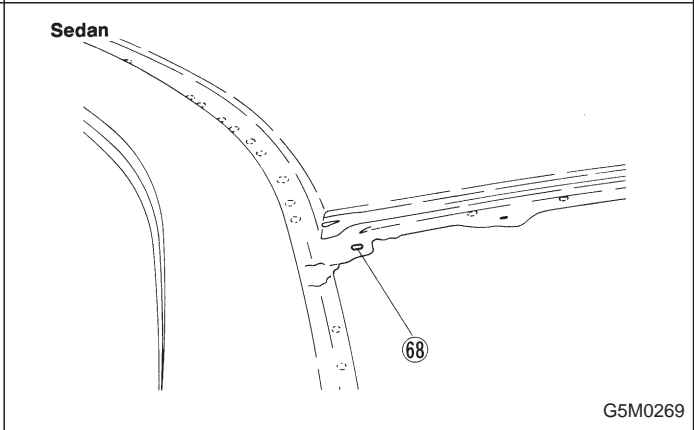
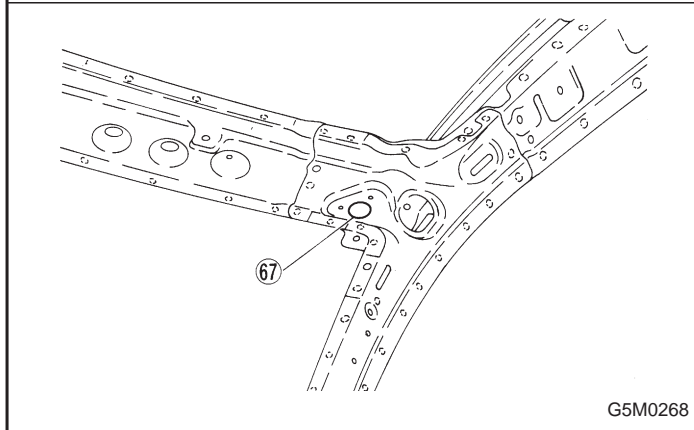
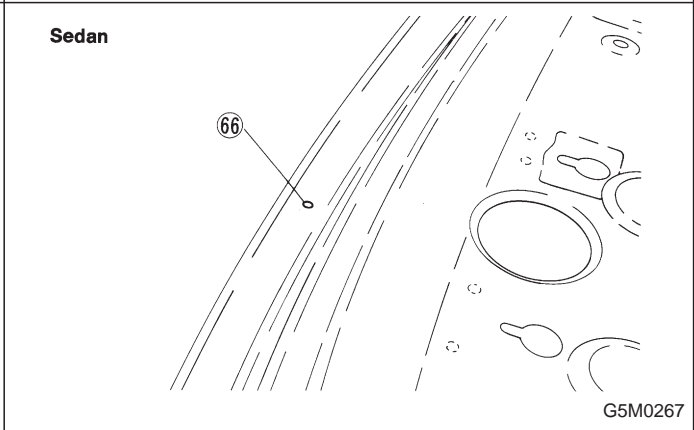
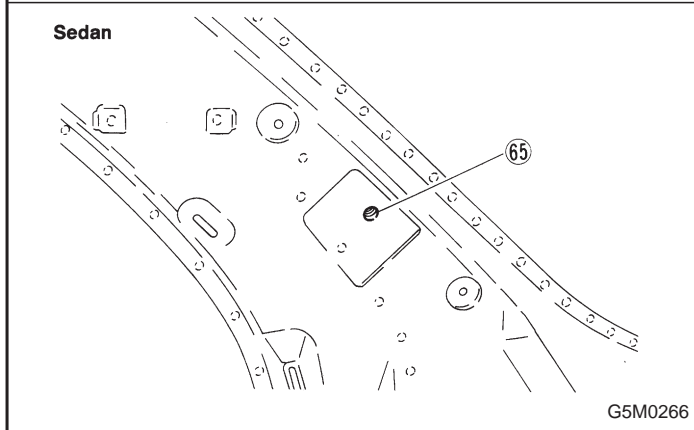
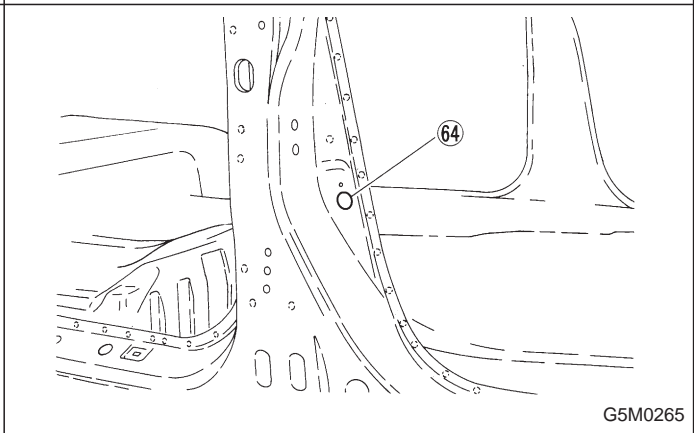
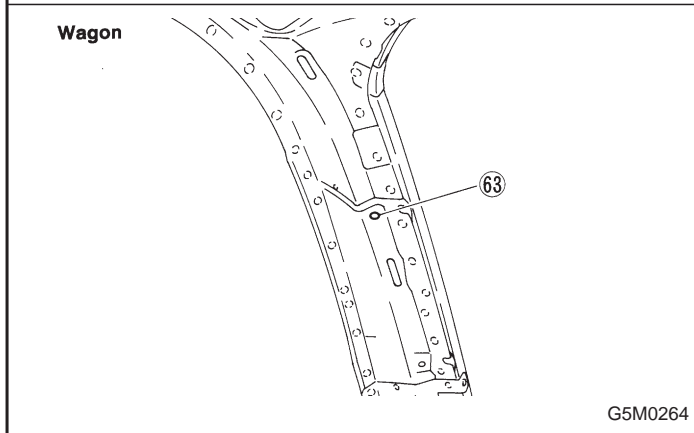
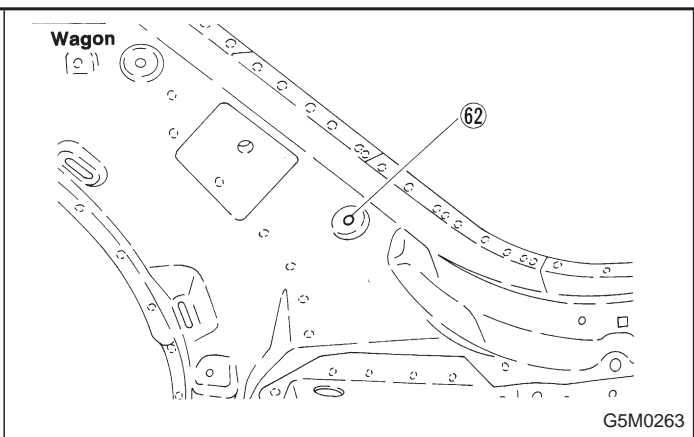
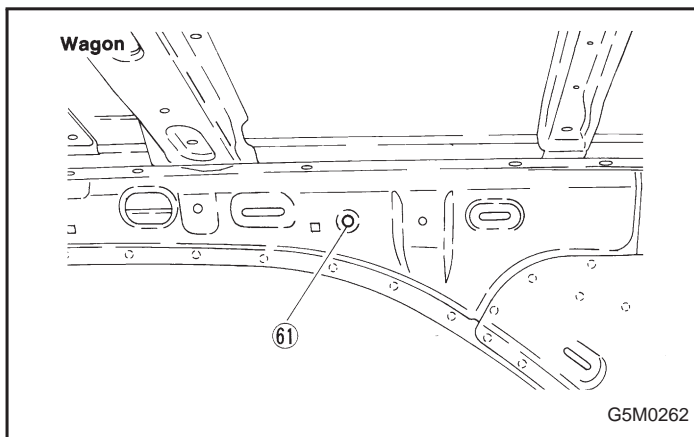
2. Body Datum Points





2. Body Datum Points





2. Body Datum Points

