

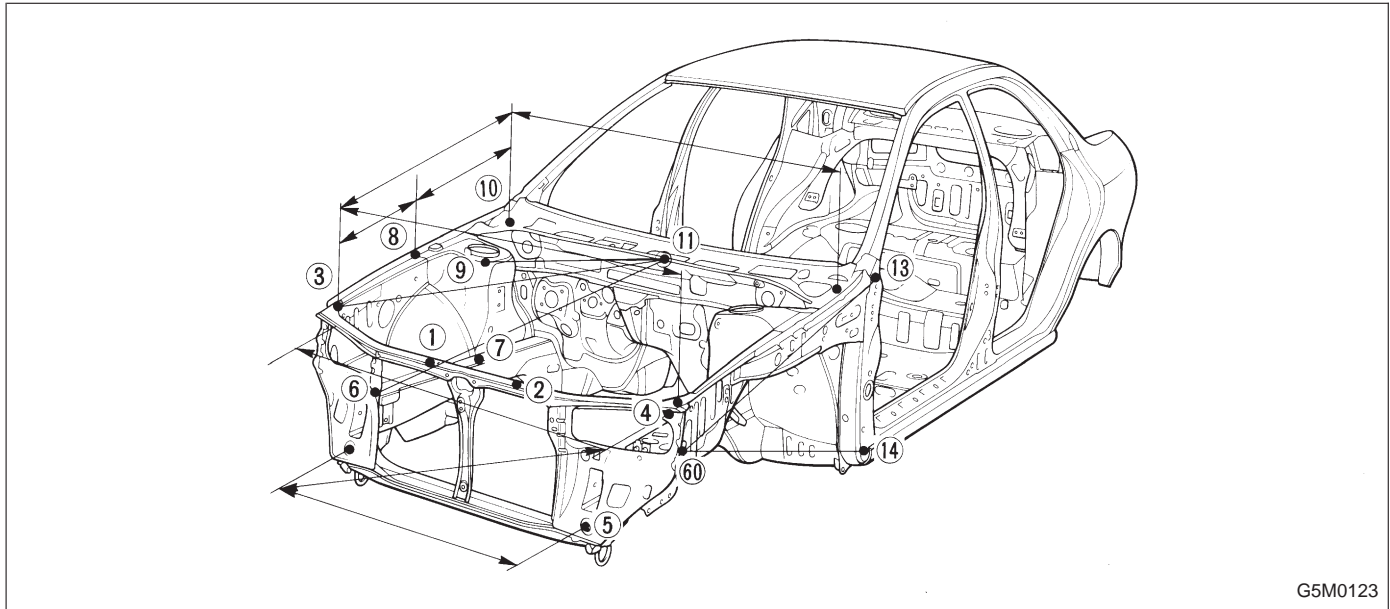
3. Datum Dimensions

Use a tram tracking gauge to measure all dimensions. If a measuring tape is used, be extremely careful because it tends to deflect or twist, which results in a false reading.

NOTE:

- A suffix character “R” or “L” refers to the right or the left.
- All dimensions refer to the distance between the centers of holes measured in a straight line.
- Each dimension indicates a projected dimension between hole centers.

1. FRONT STRUCTURE

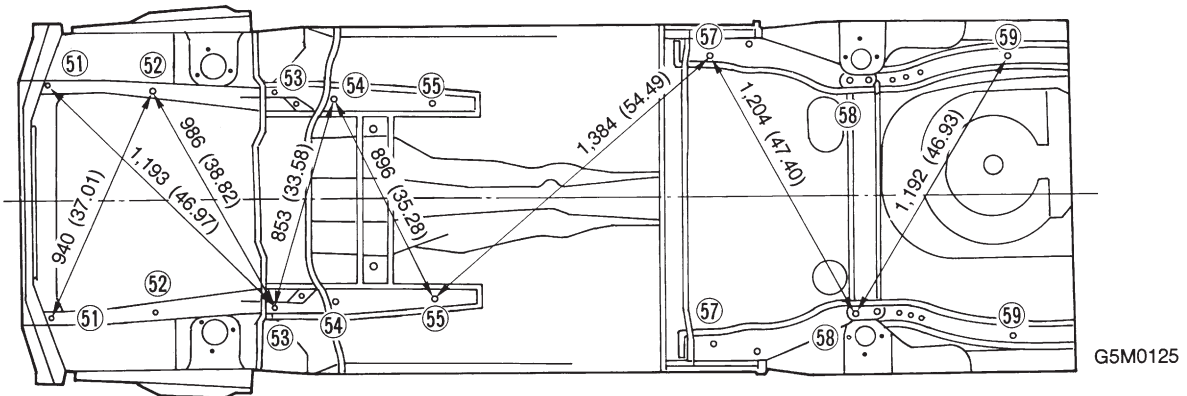
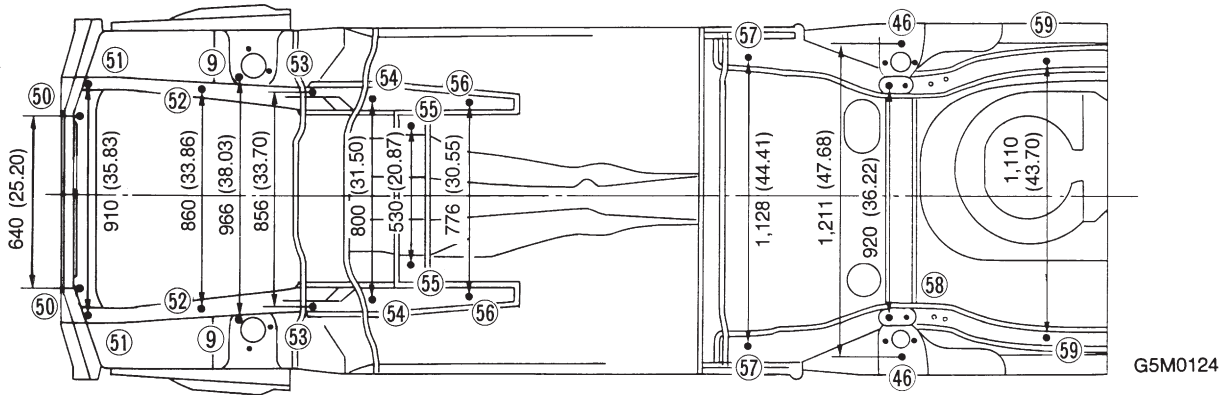
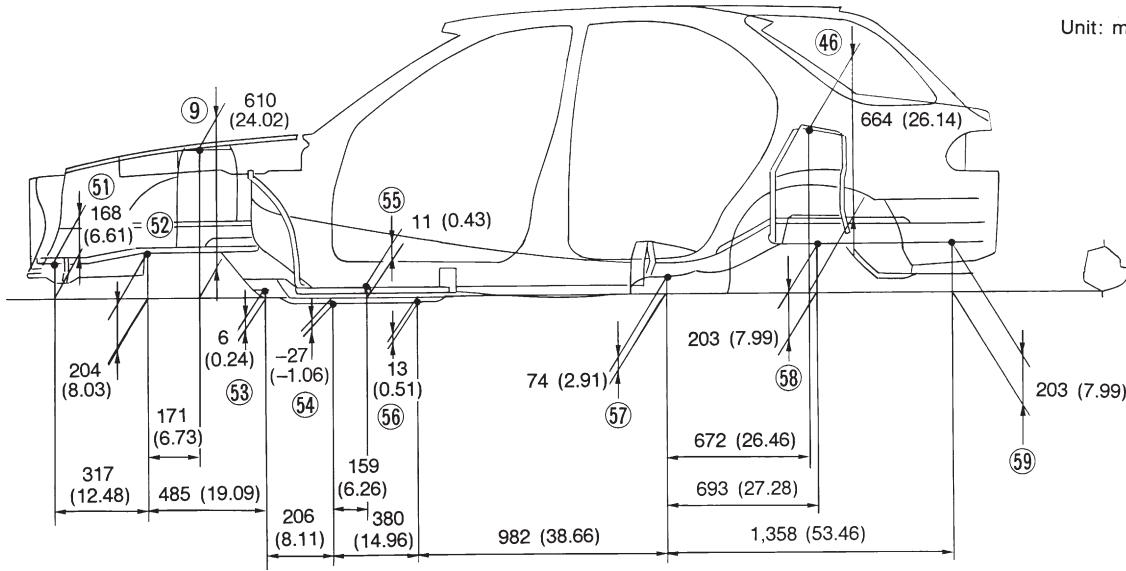


Unit: mm (in)

(11) — (9) R	} : 525 (20.67)	(10) R — (10) L	: 1,382 (54.41)	
(11) — (9) L		(3) R — (3) L	: 1,336 (52.60)	
(11) — (6) R	} : 988 (38.90)	(5) R — (5) L	: 942 (37.09)	
(11) — (6) L		(5) R — (4) R	} : 1,174 (46.22)	
(11) — (3) R	} : 990 (38.98)	(5) L — (4) L		(4) R — (4) L
(11) — (3) L		(10) R — (3) R	} : 829 (32.64)	(60) R — (13) R
(10) L — (3) L	(10) R — (8) R	} : 567 (22.32)		(60) R — (14) R
(10) L — (8) L	(8) R — (3) R		} : 264 (10.39)	(1) — (11)
(8) R — (3) L	(8) L — (3) L	(2) — (11)		: 913 (35.94)

2. CENTER STRUCTURE

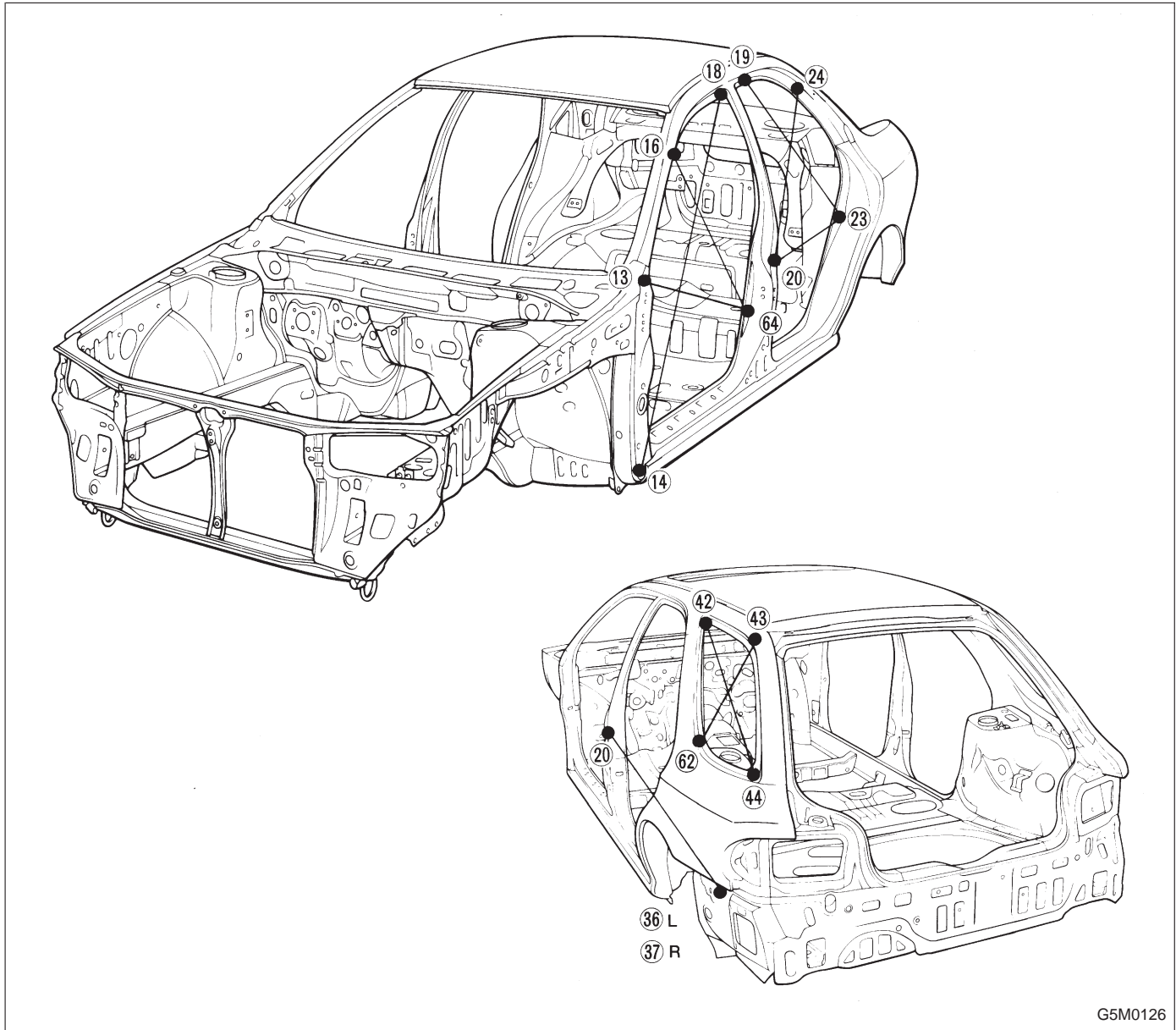
Unit: mm (in)



G5M0124

G5M0125

3. DOORS AND REAR QUARTER (SEDAN AND WAGON)



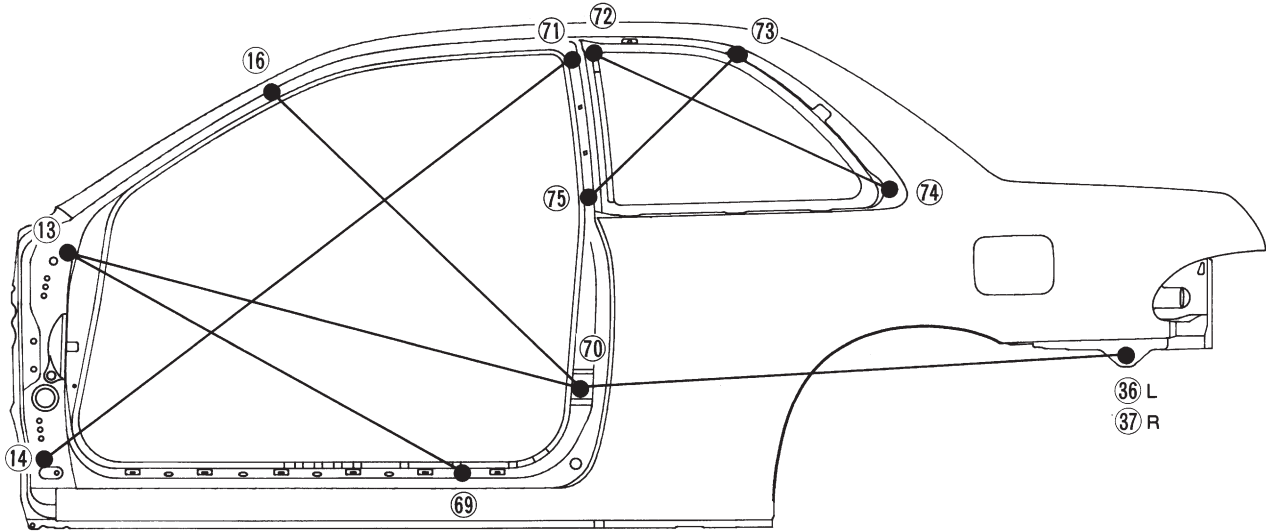
G5M0126

Unit: mm (in)

⑭	—	⑱	:	1,495 (58.86)	
⑬	—	⑥④	:	947 (37.28)	
⑮	—	⑥④	:	976 (38.43)	
⑳	—	㉓	:	803 (31.61)	
㉔	—	㉔	:	829 (32.64)	
⑱	—	㉓	:	912 (35.91)	
⑳	—	⑳ L	:	1,462 (57.56)	} (Wagon)
⑳	—	㉓ R	:	1,481 (58.31)	
⑥②	—	④③	:	377 (14.84)	(Wagon)
④②	—	④④	:	847 (33.35)	(Wagon)

4. DOORS AND REAR QUARTER (COUPE)

COUPE MODEL

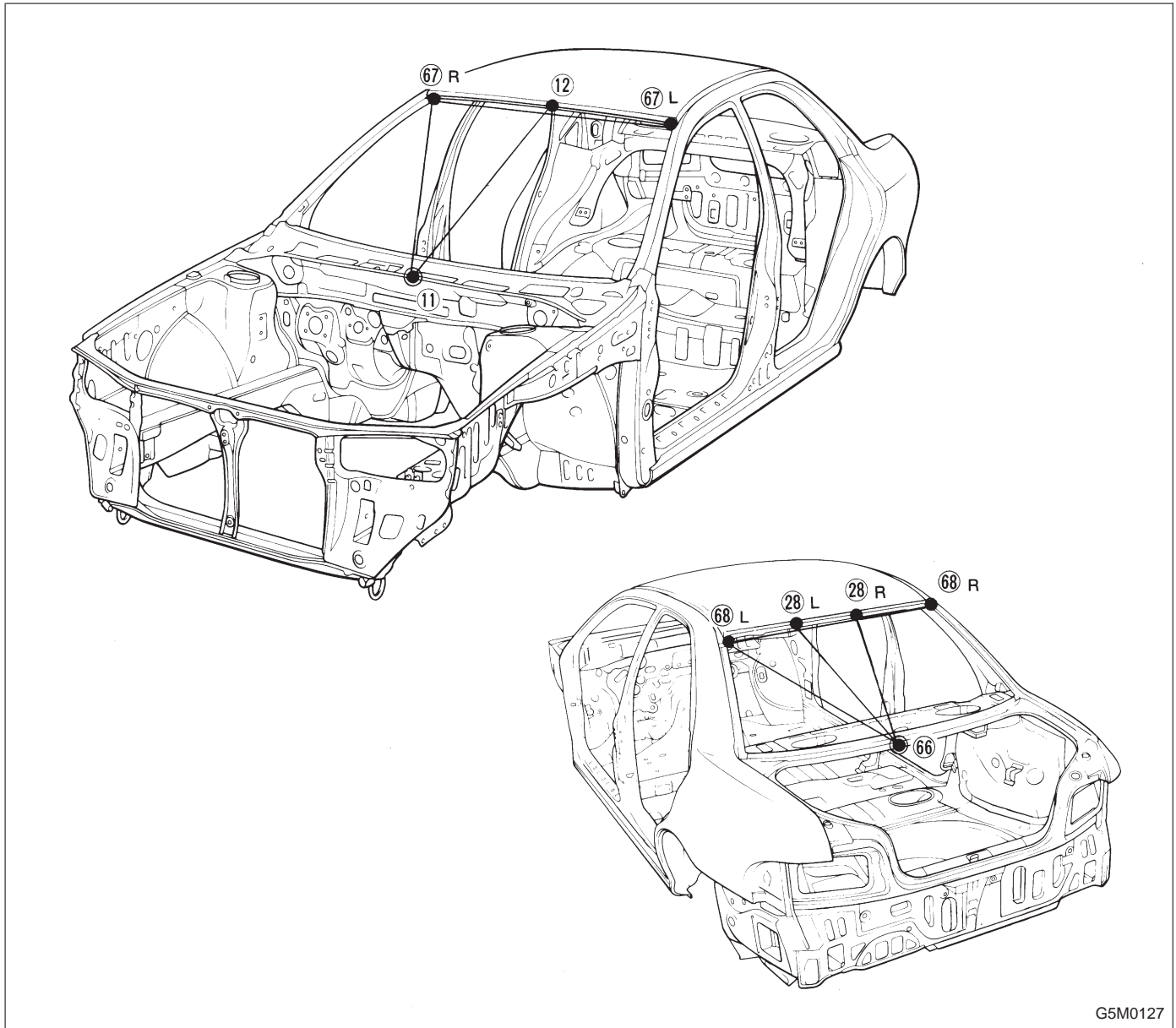


G5M0652

Unit: mm (in)

⑭	—	⑦①	:	1,576	(62.05)
⑬	—	⑦②	:	1,251	(49.25)
⑮	—	⑦③	:	997	(39.25)
⑬	—	⑥⑨	:	1,063	(41.85)
⑫	—	⑦④	:	778	(30.63)
⑦③	—	⑦⑤	:	512	(20.16)
⑦②	—	③⑥ L	:	1,295	(50.98)
⑦②	—	③⑦ R	:	1,243	(48.94)

5. FRONT WINDSHIELD AND REAR WINDOW

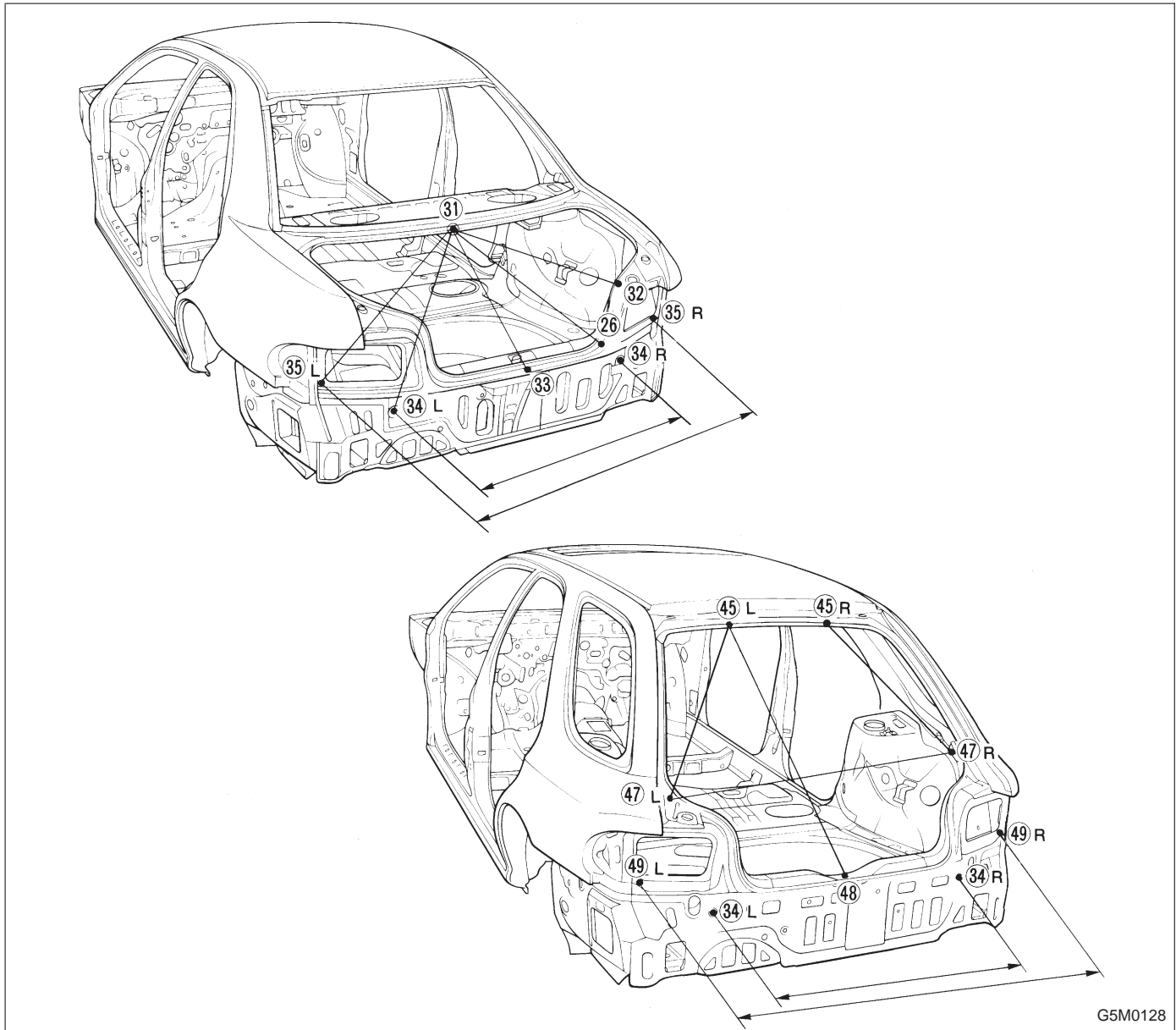


G5M0127

Unit: mm (in)

①①	—	①②	:	989 (38.94)			
⑥⑦ R	—	⑥⑦ L	:	1,012 (39.84)			
①①	—	⑥⑦ R	}	:	1,116 (43.94)		
①①	—	⑥⑦ L					
⑥⑥	—	②⑧ R	}	:	714 (28.11)		
⑥⑥	—	②⑧ L					
⑥⑥	—	⑥⑧ R	}	:	856 (33.70)		
⑥⑥	—	⑥⑧ L					
⑥⑧ R	—	⑥⑧ L	:	1,012 (39.84)			

6. TRUNK LID AND REAR GATE

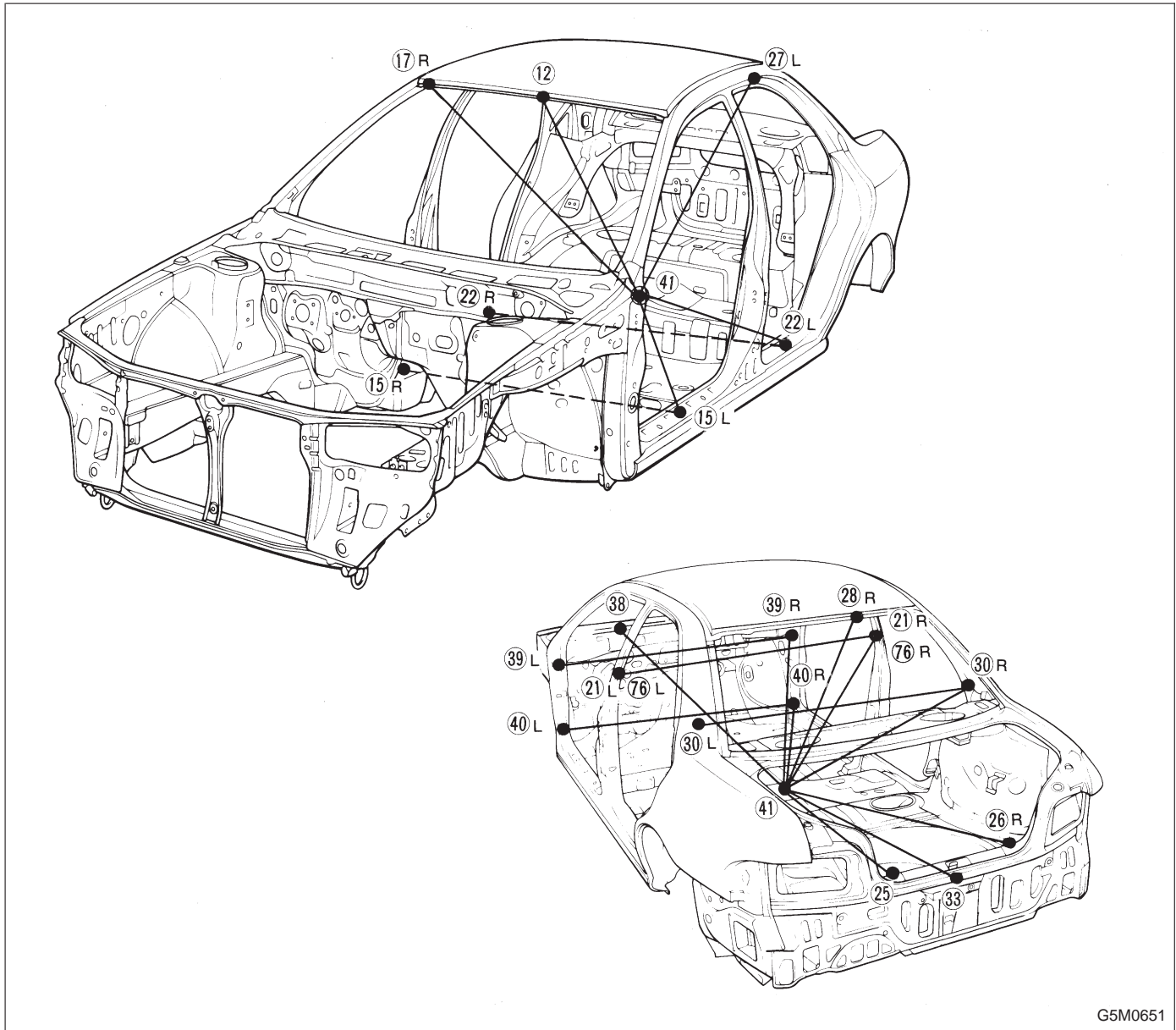


G5M0128

Unit: mm (in)

TRUNK LID		REAR GATE	
31	— 32 R	45 R	— 48
31	— 32 L	45 L	— 48
31	— 26 R	45 R	— 47 R
31	— 26 L	45 L	— 47 L
31	— 33	47 R	— 47 L
31	— 35 R	49 R	— 49 L
31	— 35 L	34 R	— 34 L
34 R	— 34 L		
35 R	— 35 L		

7. COMPARTMENT

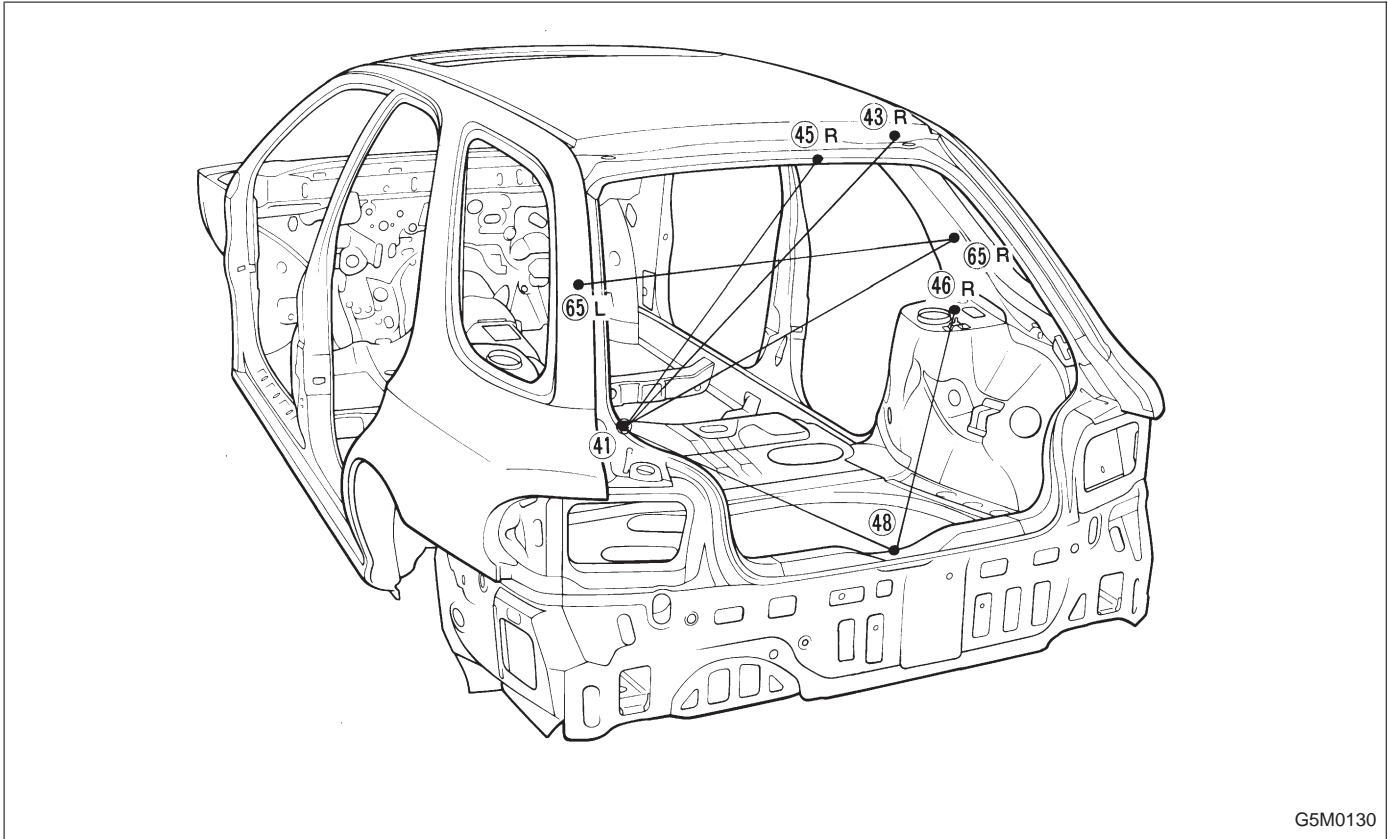


G5M0651

Unit: mm (in)

③① R	—	③① L	: 1,197 (47.13)	④①	—	⑮ R	: 1,140 (44.88)	④①	—	③① R	: 1,168 (45.98)	(Sedan)
②① R	—	②① L	: 1,061 (41.77)	④①	—	⑮ L	: 733 (28.86)	④①	—	③① L	: 1,050 (41.34)	(Sedan)
⑮ R	—	⑮ L	: 1,453 (57.20)	④①	—	②② R	: 1,156 (45.51)	④①	—	②⑧ R	: 1,038 (40.87)	
②② R	—	②② L	: 1,453 (57.20)	④①	—	②② L	: 1,085 (42.72)	④①	—	②⑧ L	: 1,208 (47.56)	
③⑨ R	—	③⑨ L	: 1,388 (54.65)	④①	—	⑲ R	: 1,568 (61.73)	④①	—	②① R	: 1,569 (61.77)	(Sedan)
④① R	—	④① L	: 1,401 (55.16)	④①	—	⑲ L	: 1,184 (46.61)	④①	—	②① L	: 1,212 (47.72)	(Coupe)
④①	—	③⑧	: 1,527 (60.12)	④①	—	⑲ R		④①	—	⑲ R		
④①	—	③⑨ R	: 1,524 (60.00)	④①	—	⑲ L		④①	—	⑲ L		
④①	—	③⑨ L		④①	—	⑲ R		④①	—	⑲ L		
④①	—	④① R	: 1,756 (69.13)	④①	—	⑲ L		④①	—	⑲ R		
④①	—	④① L		④①	—	⑲ R		④①	—	⑲ L		

8. LUGGAGE ROOM



G5M0130

Unit: mm (in)

④	—	⑥ _R	} : 1,122 (44.17)	④	—	④ _R	} : 1,237 (48.70)
④	—	⑥ _L		④	—	④ _L	
④	—	④ _R	} : 1,225 (48.23)	④	—	④ _R	} : 971 (38.23)
④	—	④ _L		④	—	④ _L	
④	—	④	: 1,446 (56.93)	⑥ _R	—	⑥ _L	: 1,235 (48.62)