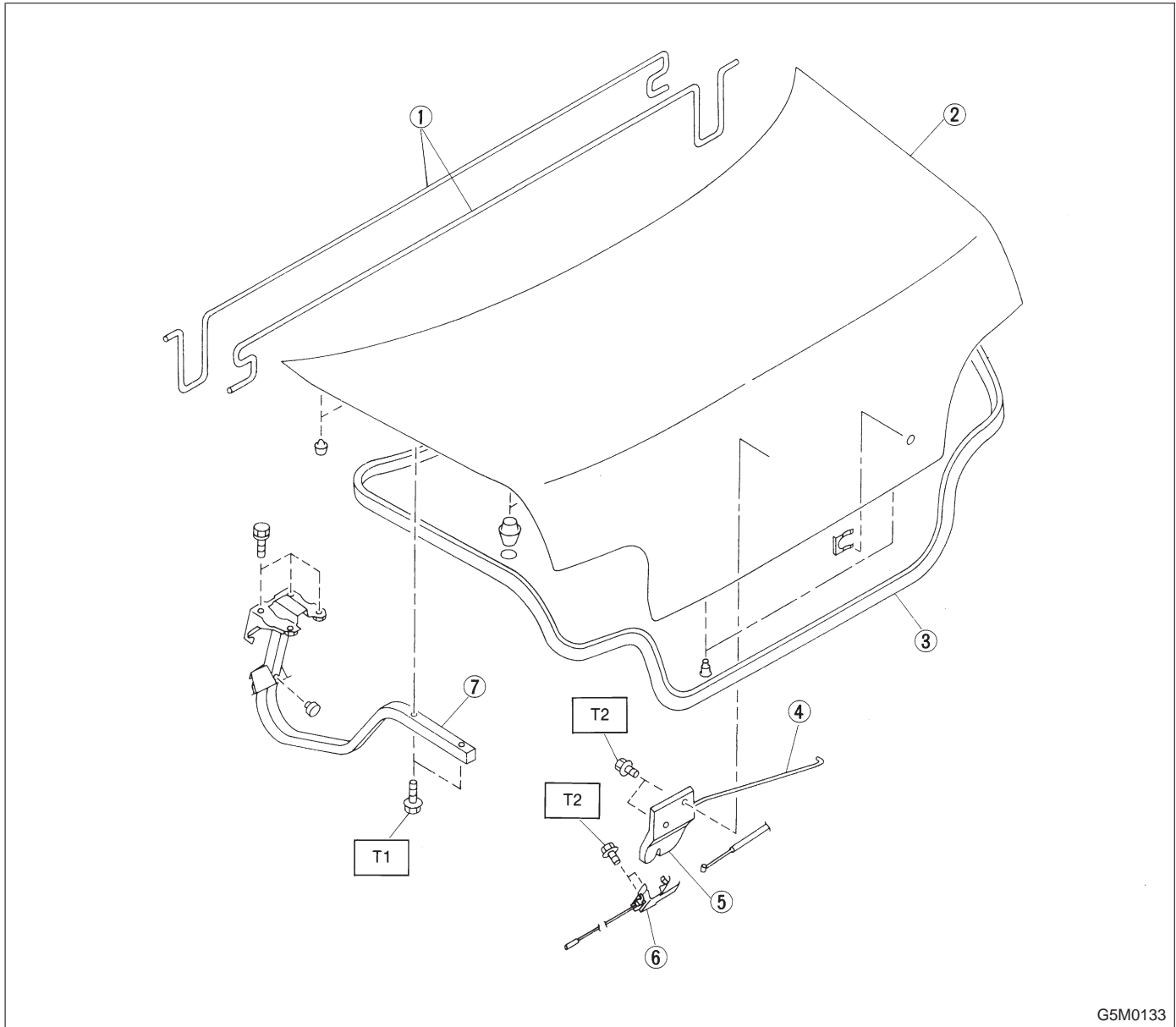


2. Trunk Lid



- ① Torsion bar
- ② Trunk lid
- ③ Weatherstrip
- ④ Rod
- ⑤ Trunk lid lock ASSY

- ⑥ Striker
- ⑦ Hinge ASSY

Tightening torque: N·m (kg·m, ft·lb)
T1: 10 — 18 (1.0 — 1.8, 7 — 13)
T2: 13 — 23 (1.3 — 2.3, 9 — 17)