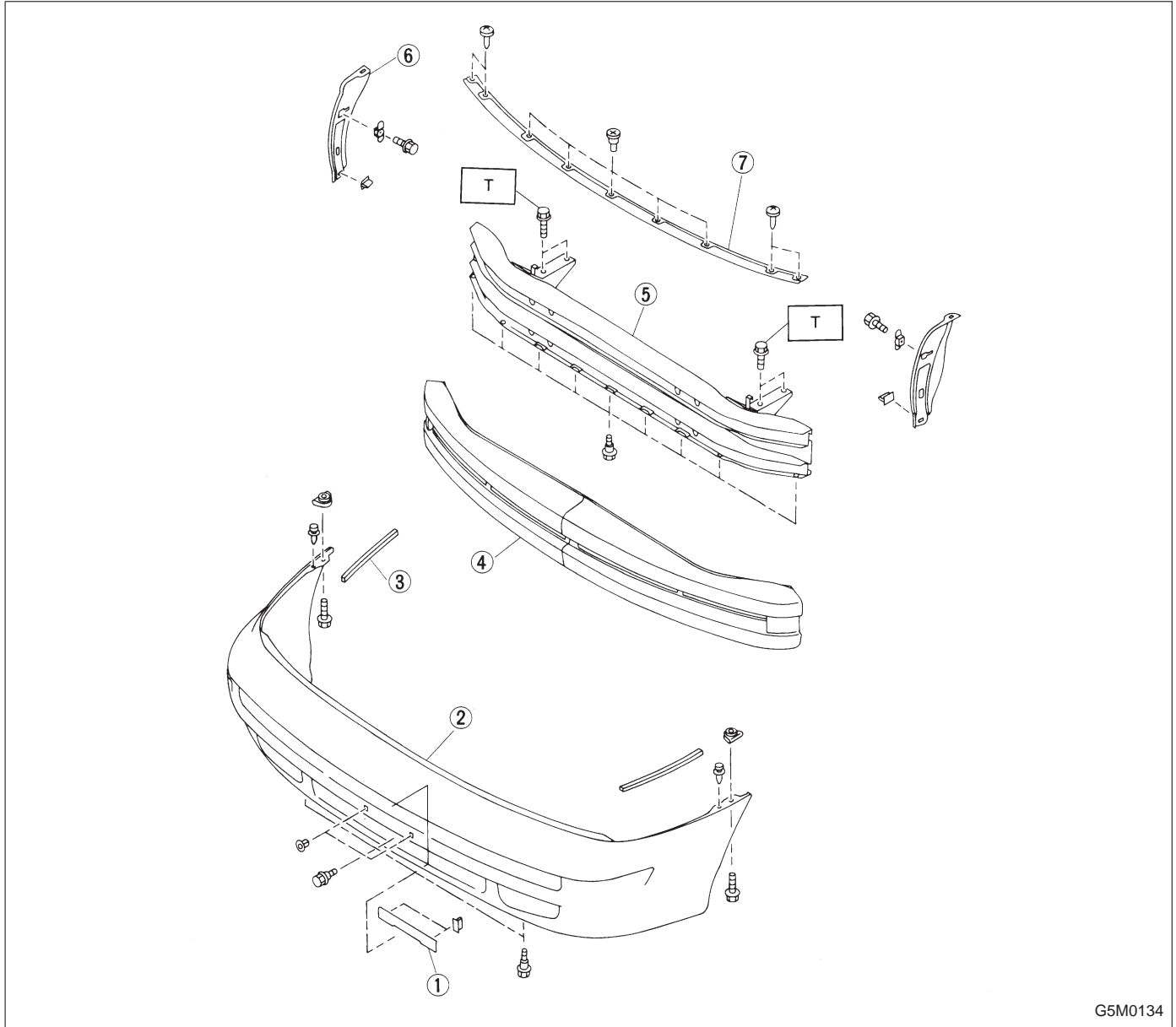


3. Front Bumper



G5M0134

- ① Plate
- ② Bumper face
- ③ Spacer
- ④ E/A from bumper

- ⑤ Front beam
- ⑥ Bracket (Side)
- ⑦ Holder upper

**Tightening torque: N·m (kg·m, ft·lb)**  
**T: 69 — 118 (7 — 12, 51 — 87)**