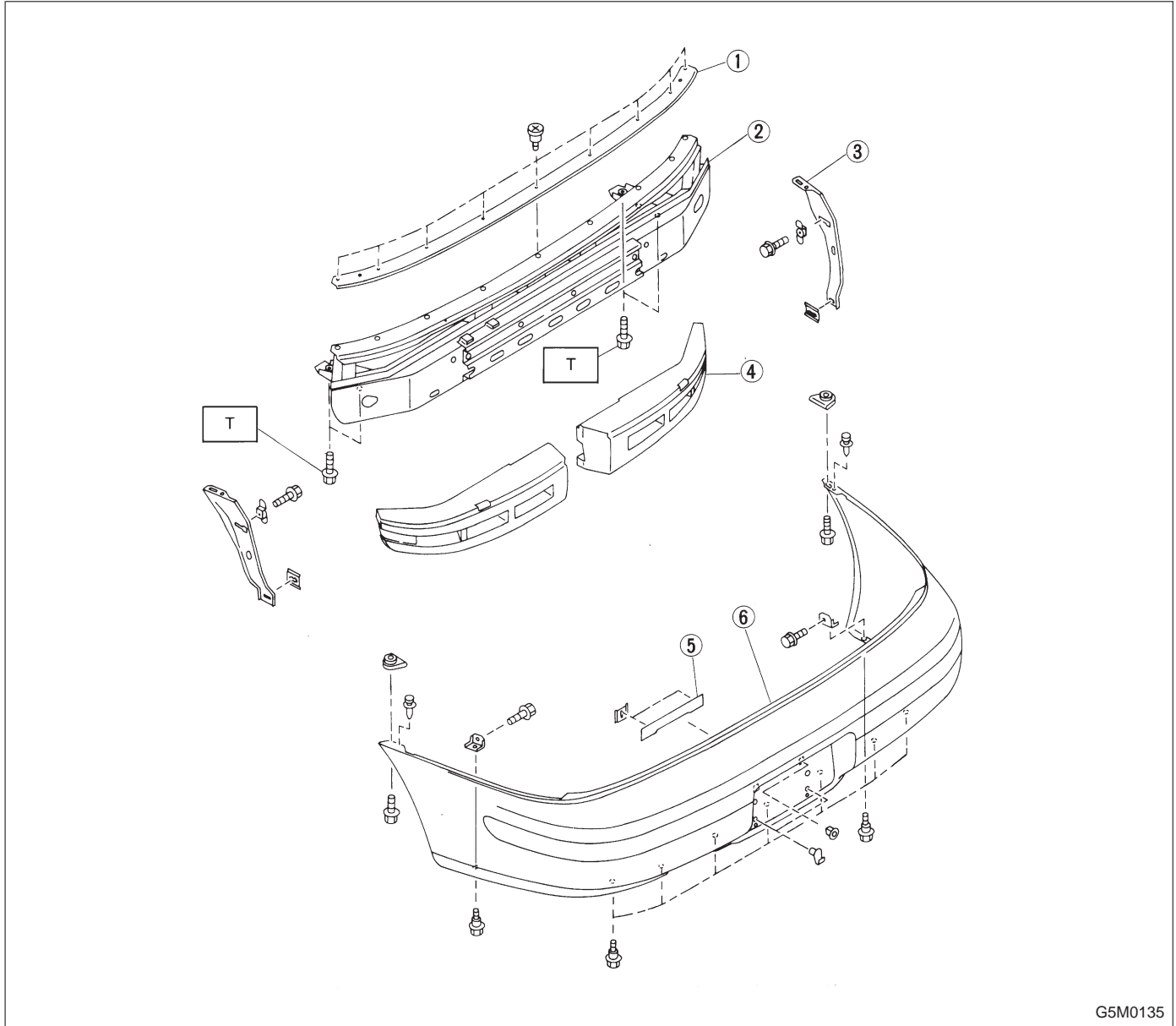


4. Rear Bumper



- ① Holder upper
- ② Bumper beam
- ③ Bracket (Side)
- ④ E/A from bumper

- ⑤ Plate
- ⑥ Bumper surface

Tightening torque: N·m (kg·m, ft·lb)
T: 69 — 127 (7 — 13, 51 — 94)