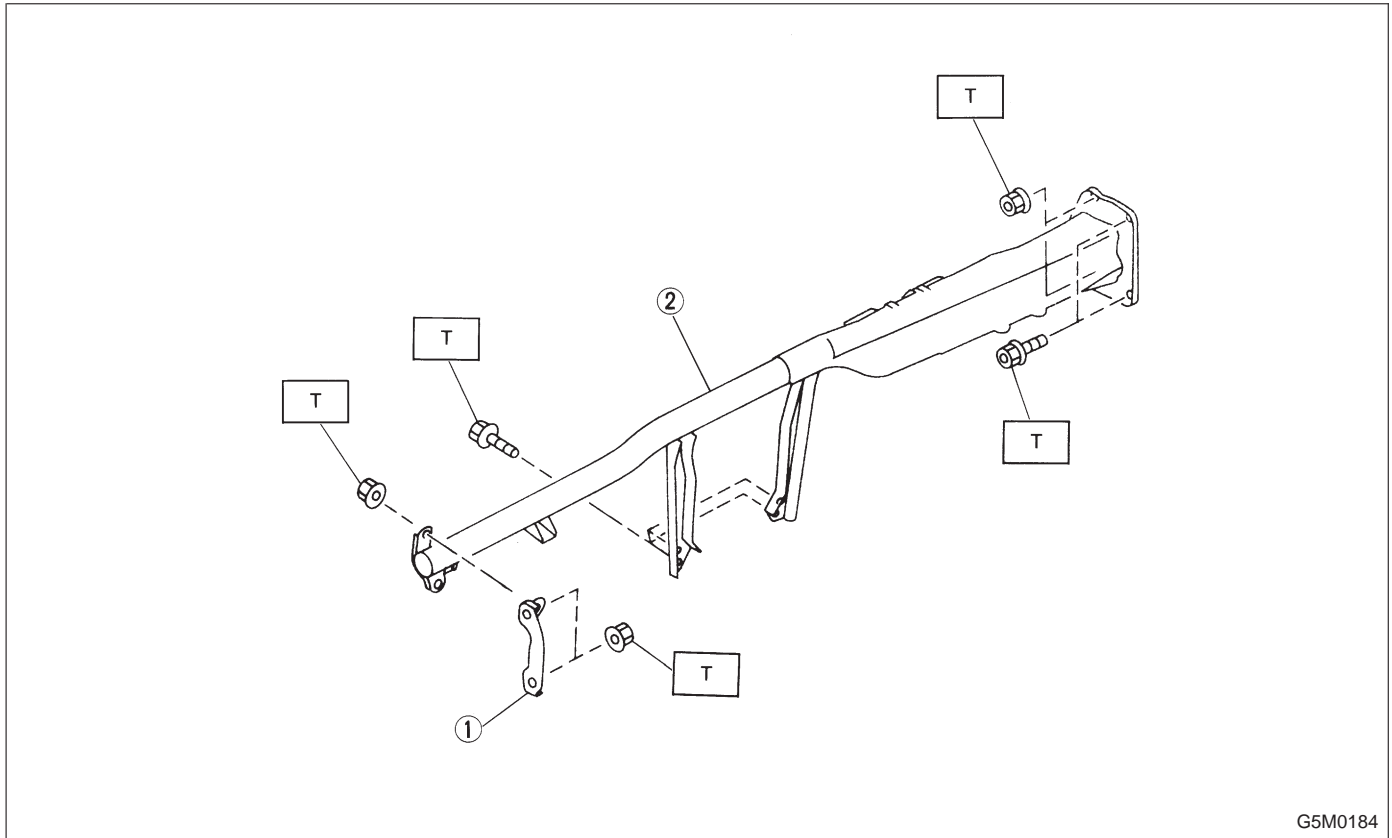


6. Steering Support Beam



G5M0184

- ① Bracket
- ② Steering beam

**Tightening torque: N·m (kg·m, ft·lb)**  
**T: 13 — 23 (1.3 — 2.3, 9 — 17)**