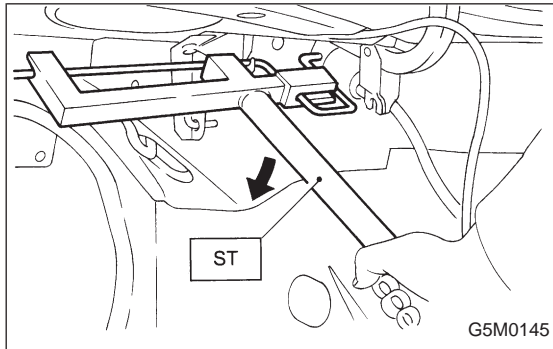


2. Trunk Lid

A: REMOVAL

1. TRUNK LID

- 1) Open trunk lid.
- 2) Remove trunk lid mounting bolts and detach trunk lid from hinges.



2. TORSION BAR

- 1) Open trunk lid. Remove torsion bars from hinge links using ST.

ST 927780000 REMOVER

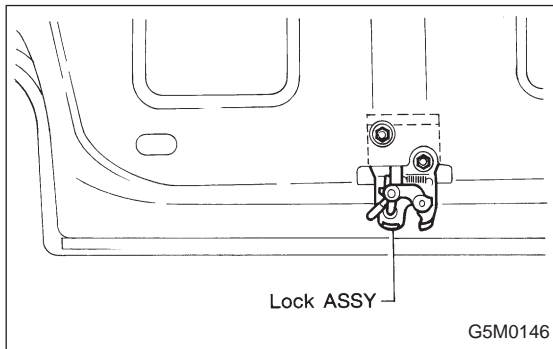
CAUTION:

Be careful because torsion bar quickly swings back when released.

- 2) Remove the left and right torsion bars.

WARNING:

Be careful because trunk lid drops under its own weight when torsion bars are removed.

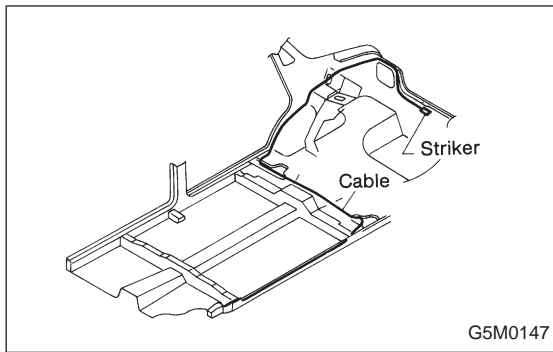


3. TRUNK LID LOCK ASSEMBLY AND KEY CYLINDER

- 1) Remove rod of lock assembly from rod holder of key lock assembly.
- 2) Remove bolts which hold lock assembly and remove lock assembly.

NOTE:

- Always remove rear skirt trim panel beforehand, if so equipped.
 - Be careful not to bend opener cable.
- 3) Remove clip and detach key cylinder from trunk lid.

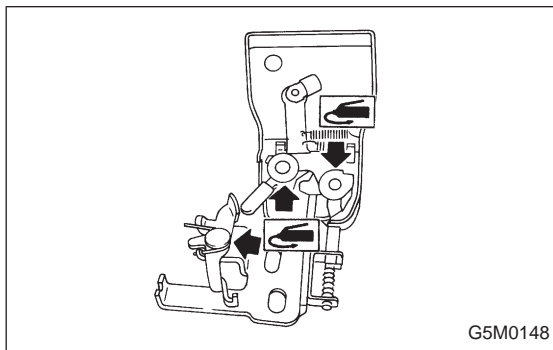


4. TRUNK LID OPENER

- 1) Remove driver's seat, rear seats, center pillar lower cover, floor mat, rear arch cover and side sill cover (on the driver's side).
- 2) Remove all clips which hold cable.
- 3) Disconnect cable from pull handle assembly.
- 4) Remove bolts and detach pull handle assembly.
- 5) Loosen bolts which hold lock assembly, and remove it.
- 6) Remove striker from trunk lid.
- 7) Disconnect cable from striker.

NOTE:

Be careful not to bend or break cable.

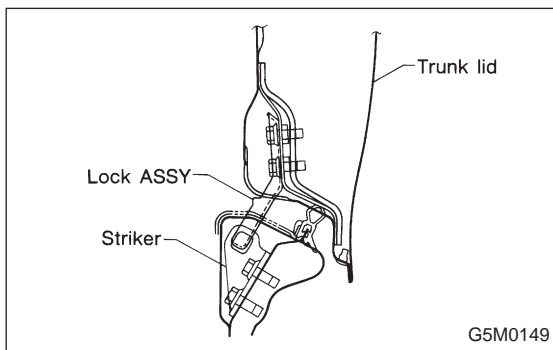


B: INSTALLATION

Installation is in the reverse order of removal.

CAUTION:

- When installing cover to pull handle assembly, observe the following:
- Be careful not to catch harness.
- Engage pull handle assembly pawls firmly.
- After installing opener cable, ensure it moves smoothly.
- Apply a coat of grease to the rotary section of hinges and contact surfaces of torsion bars.
- Apply grease to sliding surfaces of lock assembly and striker.



C: ADJUSTMENT

1. TRUNK LID

- 1) To adjust left-right lid positioning, loosen bolts which hold trunk lid to hinges.
- 2) To adjust up-down lid alignment, place washer(s) between trunk lid and hinges or move trunk lock assembly up or down.