

5. Front Bumper **AIRBAG**

A: REMOVAL

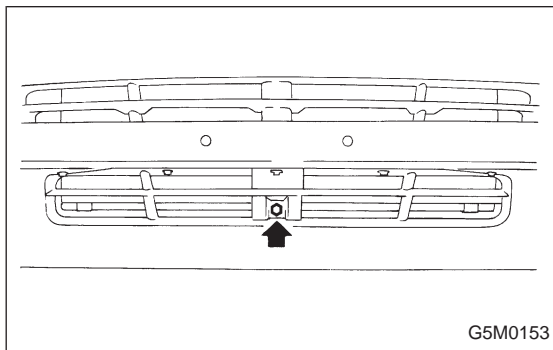
SUPPLEMENTAL RESTRAINT SYSTEM “AIRBAG”

Airbag system wiring harness is routed near the front bumper assembly.

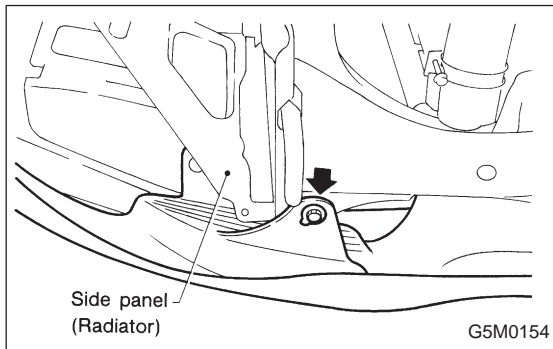
CAUTION:

- All Airbag system wiring harness and connectors are colored yellow. Do not use electrical test equipment on these circuit.
- Be careful not to damage Airbag system wiring harness when servicing the front bumper assembly.

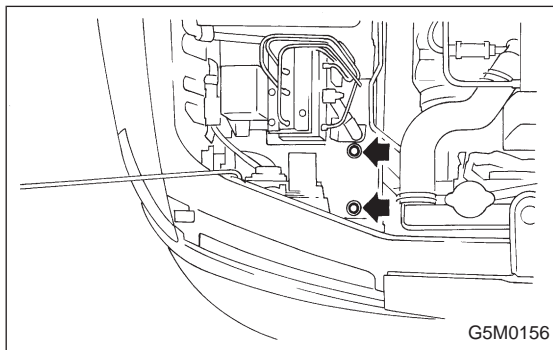
- 1) Disconnect the ground cable from the battery.
- 2) Remove the canister.
- 3) Remove the front grille.
- 4) Remove the parking light and headlight LH.
- 5) Remove the mud guard.
- 6) Remove bolts from side of bumper.



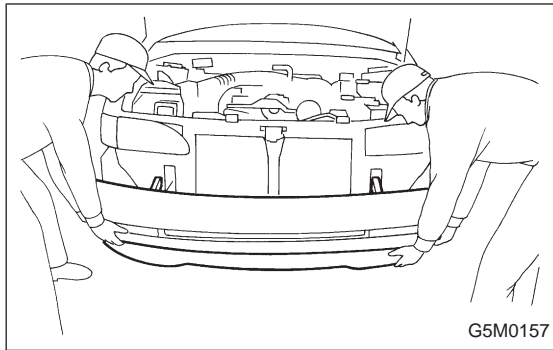
- 7) Remove bolt from lower center of bumper.



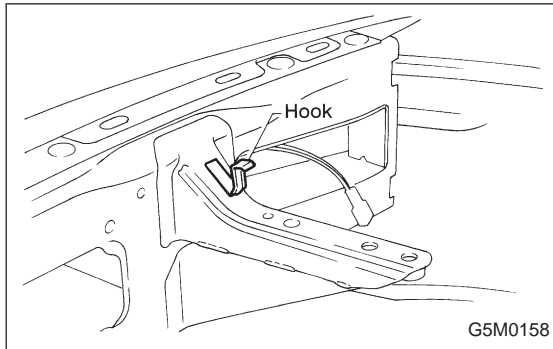
- 8) Remove bolts from lower side of bumper.



- 9) Remove bolts (engine compartment side) from bumper stays.
- 10) Remove turn signal light connector.



11) Remove bumper assembly.



B: INSTALLATION

To install the front bumper, reverse the above removal procedures.

CAUTION:

- Be extremely careful to prevent scratches on bumper face as it is made of resin.
- Be careful not to scratch the body when removing or installing the bumper.
- To facilitate installation of front bumper, attach hook (located at stay) to body panel.