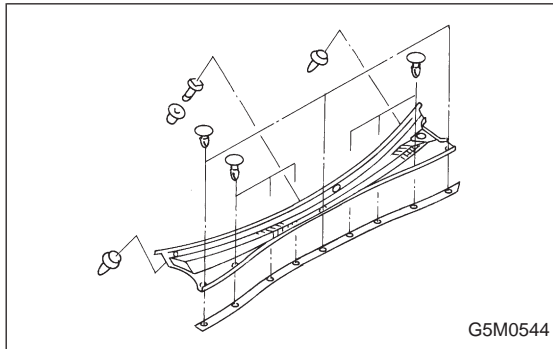


12. Cowl Panel

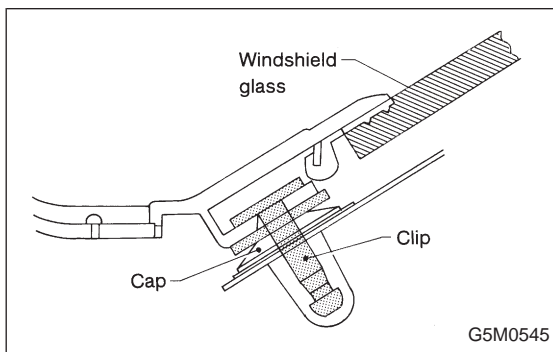
A: REMOVAL

- 1) Remove wiper arms.
- 2) Open front hood.
- 3) Pry clip off front hood seal using a screwdriver.
- 4) Lift cowl panel and remove clips from windshield.



B: INSTALLATION

- 1) Install clips on cowl panel.
- 2) Install cap on front panel.
- 3) Install front hood seal attaching clip on cowl panel.



- 4) Install middle clip and other clips in that order.