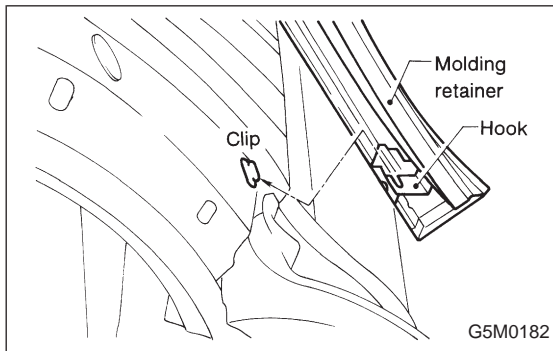


13. Molding and Retainer

A: REMOVAL

- 1) Remove weatherstrip.
- 2) Remove tapping screws.

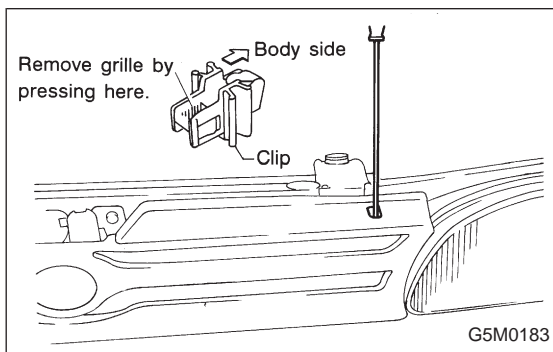


B: INSTALLATION

Installation is in the reverse order of removal.

NOTE:

Insert clips onto hooks, then fasten with screws.



14. Front Grille

A: REMOVAL

Remove two upper clips from body panel. To facilitate removal, press portion shown in figure using screwdriver while lightly pulling front grille.

B: INSTALLATION

Attach clip to grille. Align it with clip hole in body and push it into place.