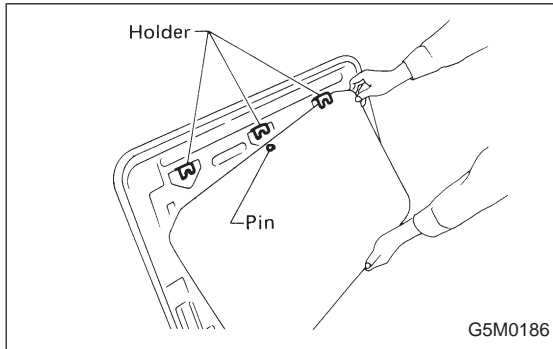


15. Sunroof

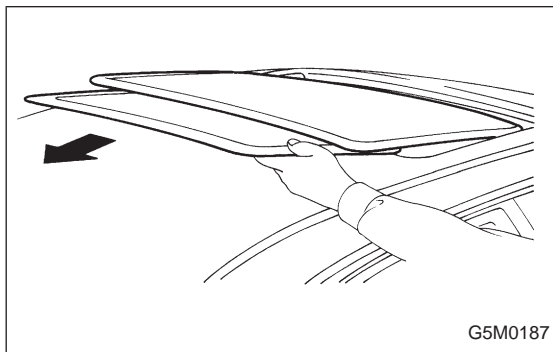
A: REMOVAL

1. SUNROOF PANEL

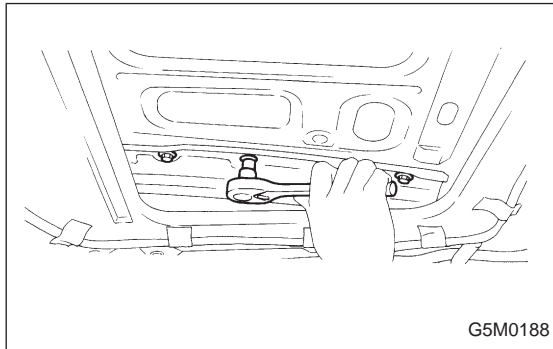
- 1) Open sunroof approx. 1/3.
- 2) Remove clips attached to front side of sunroof trim by pulling trim from inside of compartment.



- 3) Move trim forward, and detach trim end from holder.



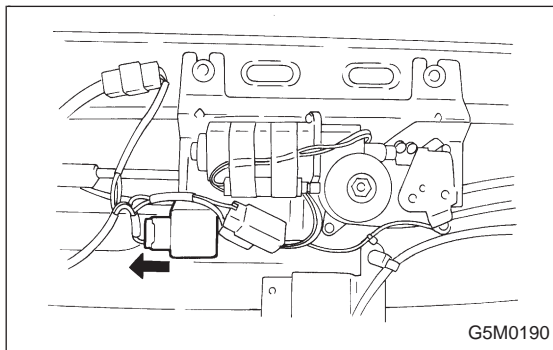
- 4) Detach trim.



- 5) Close sunroof and remove nuts.
- 6) Remove sunroof panel.
- 7) Installation is in the reverse order of removal.

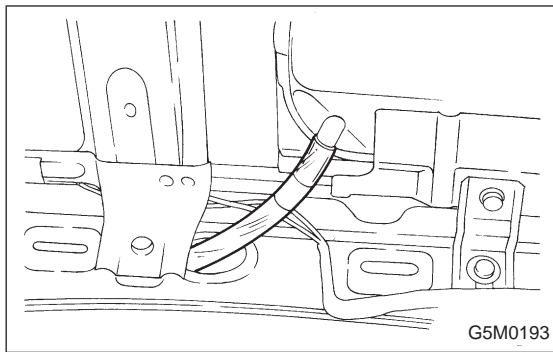
NOTE:

Sunroof trim reference pin must be fitted in holder notch.



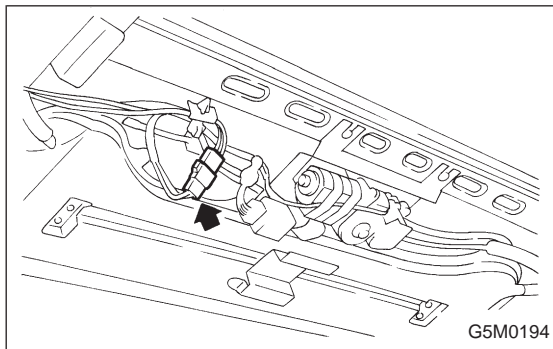
2. SUNROOF MOTOR AND RELAY

- 1) Remove roof trim, rear quarter trim, pillar trim, etc. <Ref. to 5-3.>
- 2) Remove screw.
- 3) Disconnect connector.
- 4) Remove relay by pulling it out.

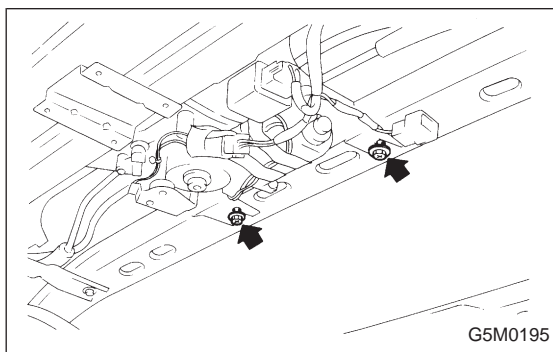


3. SUNROOF FRAME

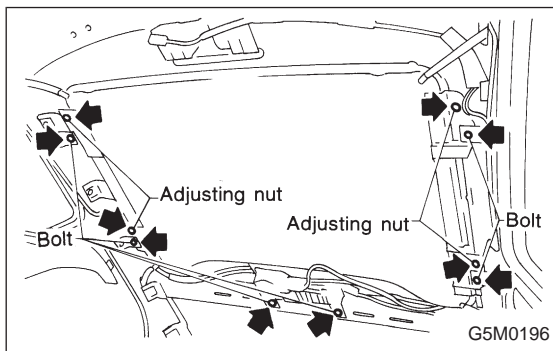
- 1) Remove roof trim, rear quarter trim, pillar trim, etc. <Ref. to 5-3.>
- 2) Remove sunroof panel.
- 3) Disconnect front and rear drain tubes.



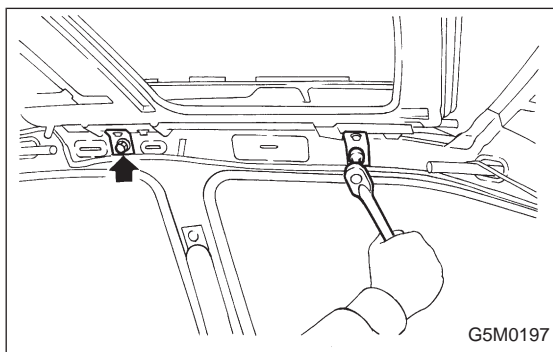
- 4) Disconnect connector between body harness and sunroof harness.



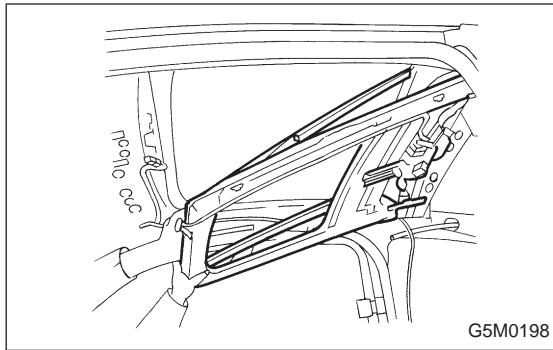
- 5) Loosen two mounting bolts near motor. (Do not remove bolts.)



- 6) Remove six bolts, and four adjusting nuts.

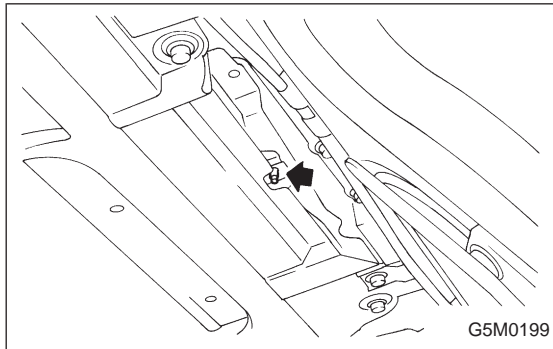


- 7) Remove sunroof frame.
- 8) Loosen set bracket mounting bolt.

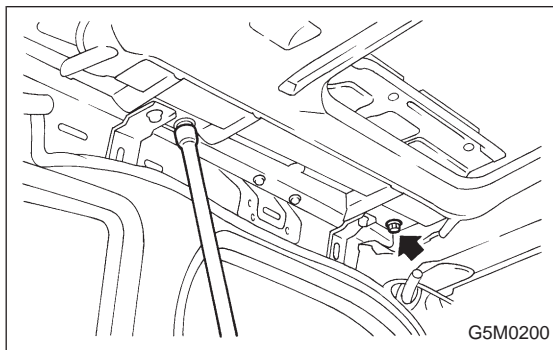


B: INSTALLATION

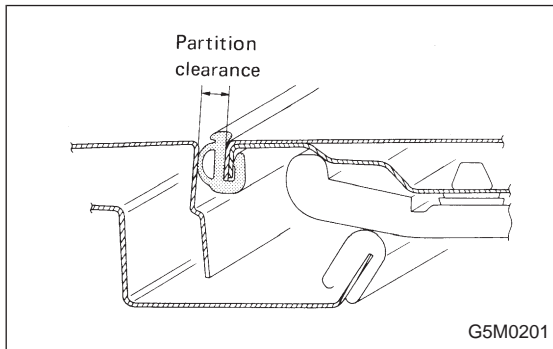
1) Insert frame rear end slit to two bolts fitted temporarily to roof brace.



2) Align frame to reference pin installed on roof.

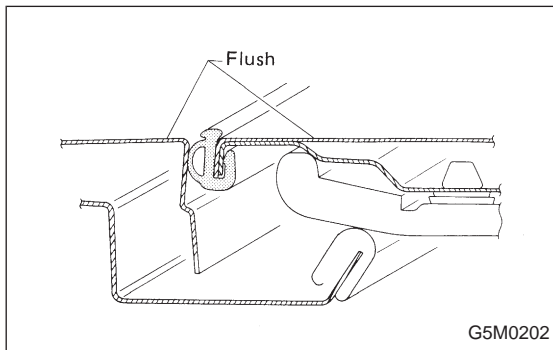


3) Tighten adjusting nut (that is, set frame at highest position).
Temporarily tighten bolts.

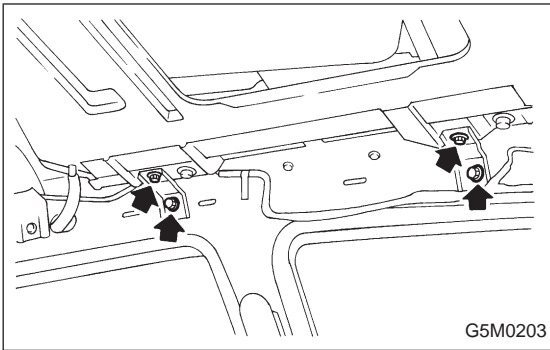


4) Install sunroof panel.
5) Adjust height by turning adjusting nut.
Also adjust front, rear, right, and left side partitions.

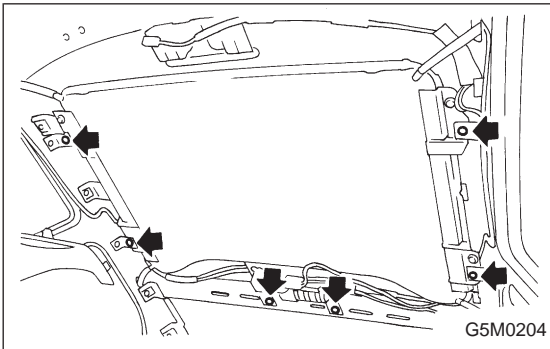
Partition clearance:
5.9±0.5 mm (0.232±0.020 in)



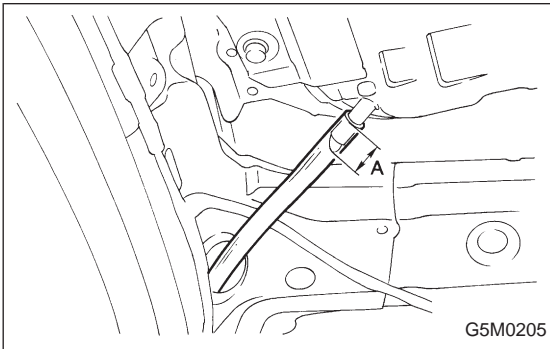
Difference in height between roof panel and sunroof panel:
0±1.0 mm (0±0.039 in)



6) Tighten set bracket mounting bolts.



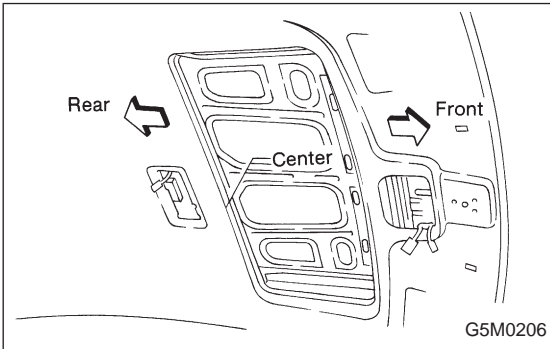
7) Tighten bolts.



8) Install drain tubes.

CAUTION:
Insert drain tube securely into drain pipe.

Length: A
Approx. 20 mm (0.79 in)



9) Install roof trim.

10) Install garnish.

NOTE:

Place garnish joint at rear center of body.

11) Install sunroof trim, pillar trim, rear quarter trim etc.

12) Check the following items after assembling all parts;

- Garnish must be free from waves.
- When sunroof is fully closed, must be no clearance between garnish and sunroof trim.
- Sunroof must be free from slack and noise when it is fully opened and closed.