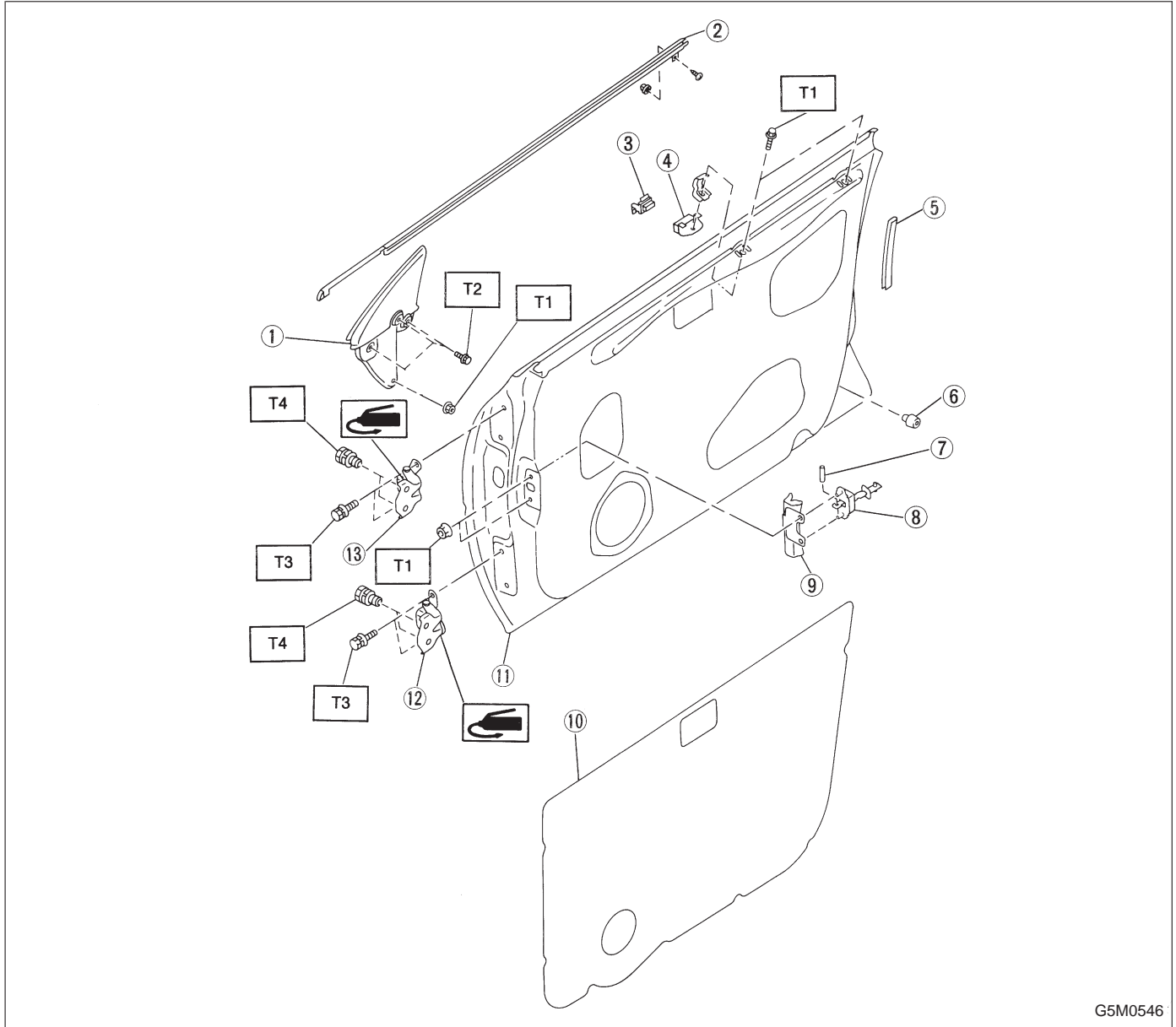


1. Front Door



G5M0546

- ① Gusset
- ② Weatherstrip
- ③ Stabilizer (Outer)
- ④ Stabilizer (Inner)
- ⑤ Protector
- ⑥ Stopper
- ⑦ Knock pin

- ⑧ Checker
- ⑨ Guide
- ⑩ Sealing cover
- ⑪ Door panel
- ⑫ Lower hinge
- ⑬ Upper hinge

Tightening torque: N·m (kg·m, ft·lb)
T1: 5.4 — 9.3
 (0.55 — 0.95, 4.0 — 6.9)
T2: 10 — 16 (1.0 — 1.6, 7 — 12)
T3: 22 — 27 (2.2 — 2.8, 16 — 20)
T4: 25 — 34 (2.5 — 3.5, 18 — 25)