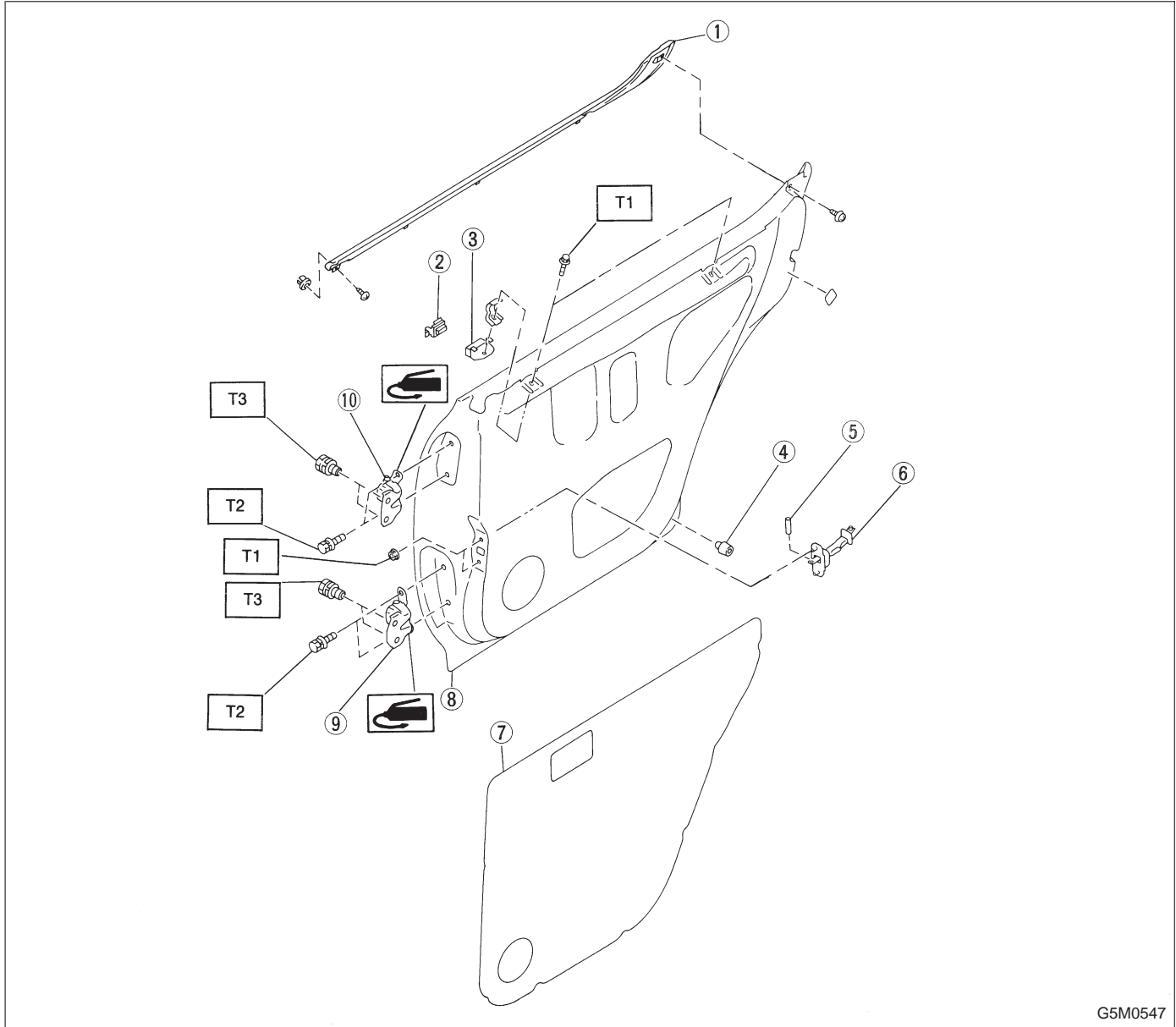


2. Rear Door



G5M0547

- ① Weatherstrip
- ② Stabilizer (Outer)
- ③ Stabilizer (Inner)
- ④ Stopper
- ⑤ Knock pin
- ⑥ Checker

- ⑦ Seating cover
- ⑧ Door panel
- ⑨ Lower hinge
- ⑩ Upper hinge

Tightening torque: N·m (kg·m, ft·lb)
T1: 5.4 — 9.3
 (0.55 — 0.95, 4.0 — 6.9)
T2: 22 — 27 (2.2 — 2.8, 16 — 20)
T3: 25 — 34 (2.5 — 3.5, 18 — 25)