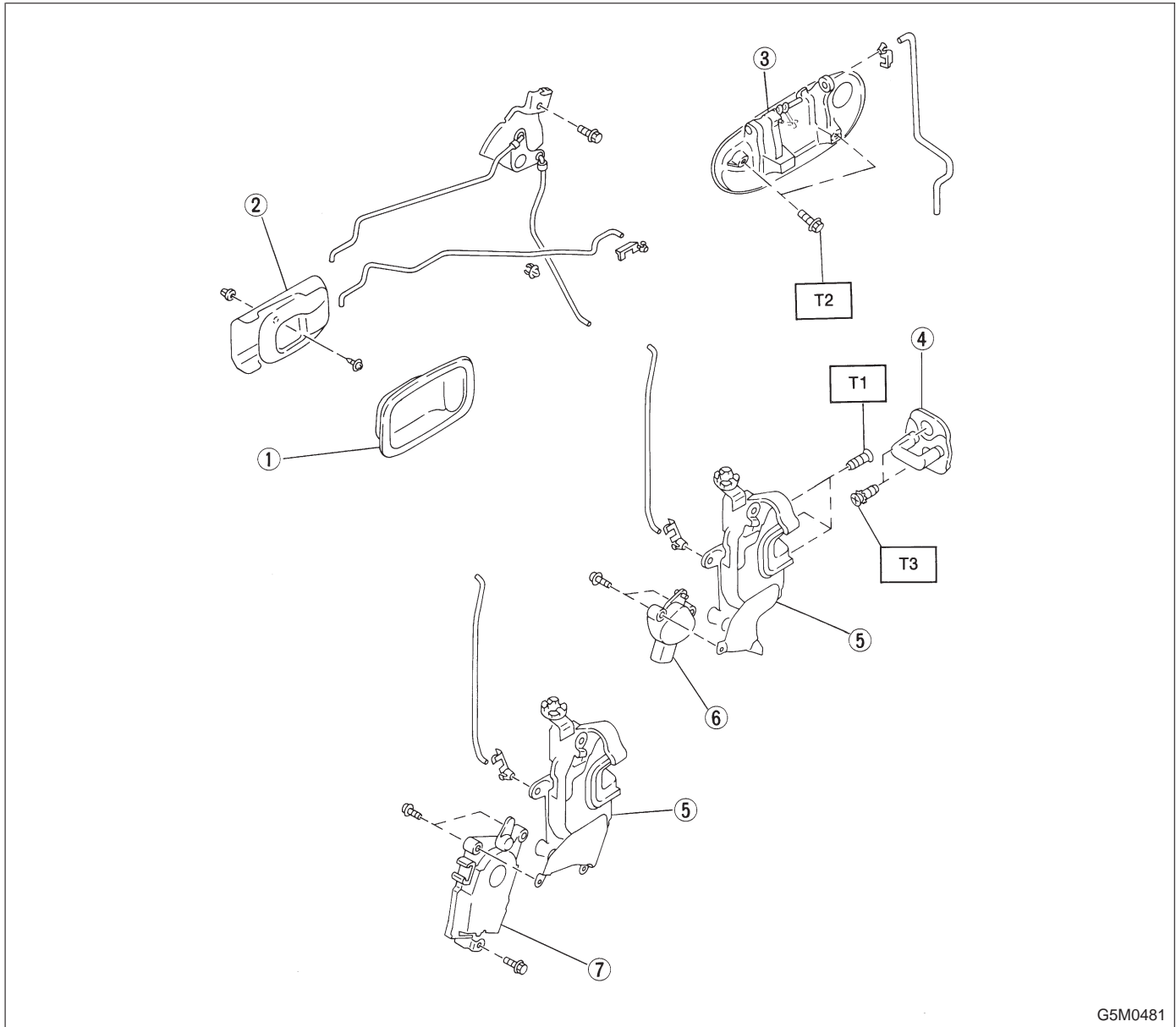


6. Door Lock Assembly (Front)



G5M0481

- ① Cover
- ② Inner remote ASSY
- ③ Door outer handle
- ④ Striker
- ⑤ Door latch
- ⑥ Switch ASSY
- ⑦ Auto-door lock actuator

**Tightening torque: N·m (kg·m, ft·lb)**  
**T1: 4.4 — 8.3 (0.45 — 0.85, 3.3 — 6.1)**  
**T2: 5.4 — 9.3 (0.55 — 0.95, 4.0 — 6.9)**  
**T3: 14 — 22 (1.4 — 2.2, 10 — 16)**