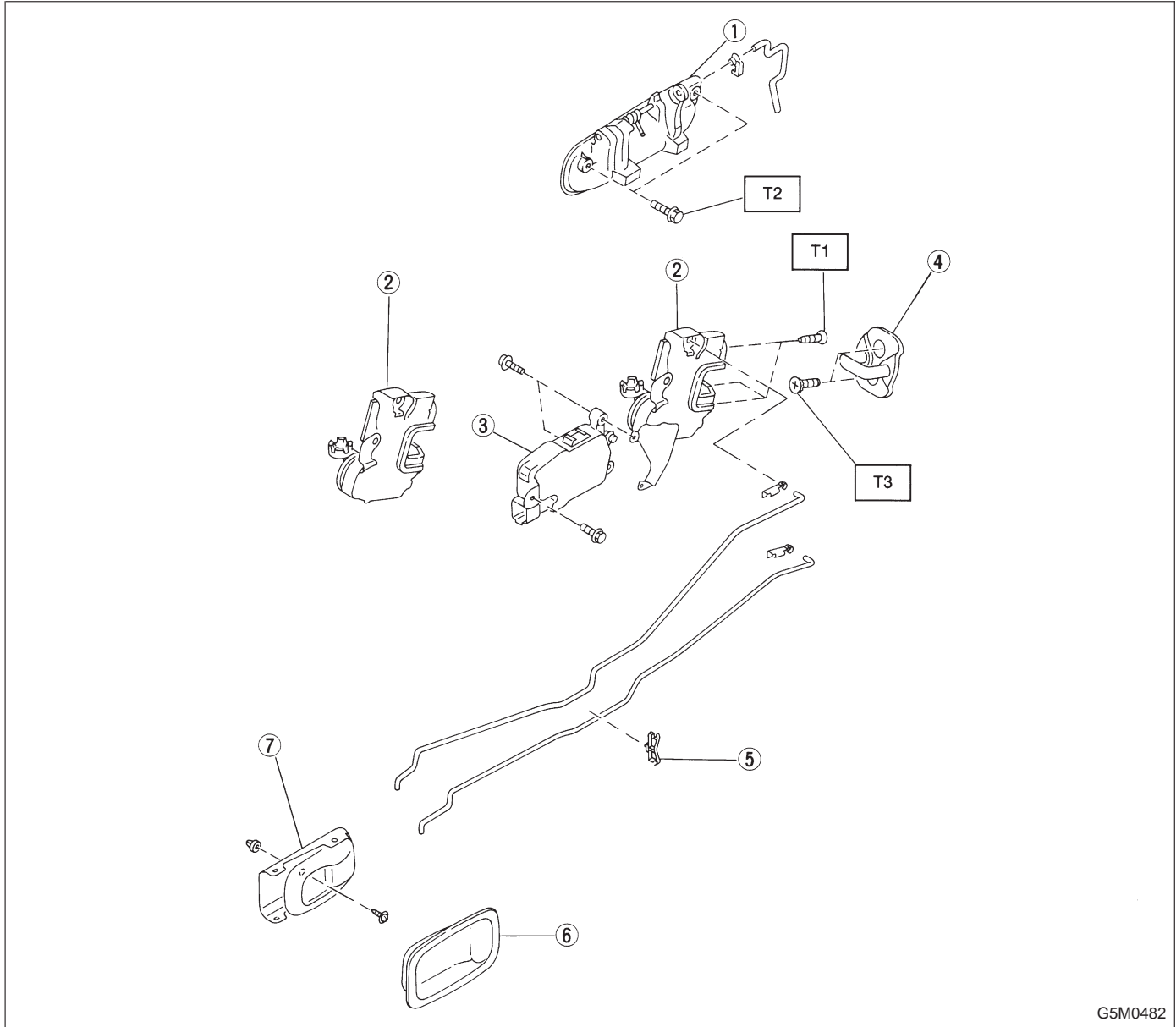


7. Door Lock Assembly (Rear)



- ① Door outer handle
- ② Door latch
- ③ Auto-door lock actuator
- ④ Striker
- ⑤ Rod holder
- ⑥ Cover
- ⑦ Inner remote ASSY

Tightening torque: N·m (kg·m, ft·lb)

T1: 4.4 — 8.3 (0.45 — 0.85, 3.3 — 6.1)

T2: 5.4 — 9.3 (0.55 — 0.95, 4.0 — 6.9)

T3: 14 — 22 (1.4 — 2.2, 10 — 16)