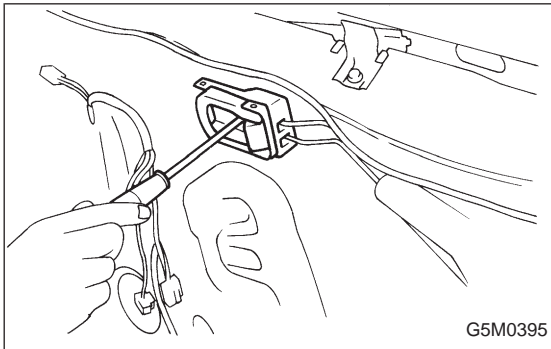


6. Inner Remote Assembly

A: REMOVAL

- 1) Remove trim panel.
- 2) Remove sealing cover.
- 3) Disconnect joints of two rods.
- 4) Unlatch rod holder.



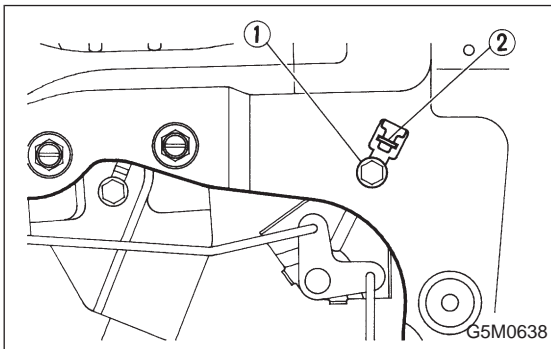
- 5) Remove screws holding remote assembly.

B: INSTALLATION

- 1) After passing two rods through holder, attach remote assembly to inner panel.
- 2) Latch rod holder.

NOTE:

If rear door is equipped with child safety lock, check that child lock lever moves without dragging.



C: ADJUSTMENT

- 1) Lock the door.
- 2) Loosen bolt ①.
- 3) Lower bell crank ② and then tighten bolt ①.