

## 15. Rear Window Glass (Wagon)

**NOTE:**

It is impossible to remove the molding from the glass. If molding is broken, replace rear glass.

### A: REMOVAL

- 1) Remove rear wiper and rear gate trimming.
- 2) Disconnect connector from rear defogger terminal.
- 3) Remove high mount stop light.
- 4) Remove glass in same manner as for windshield.

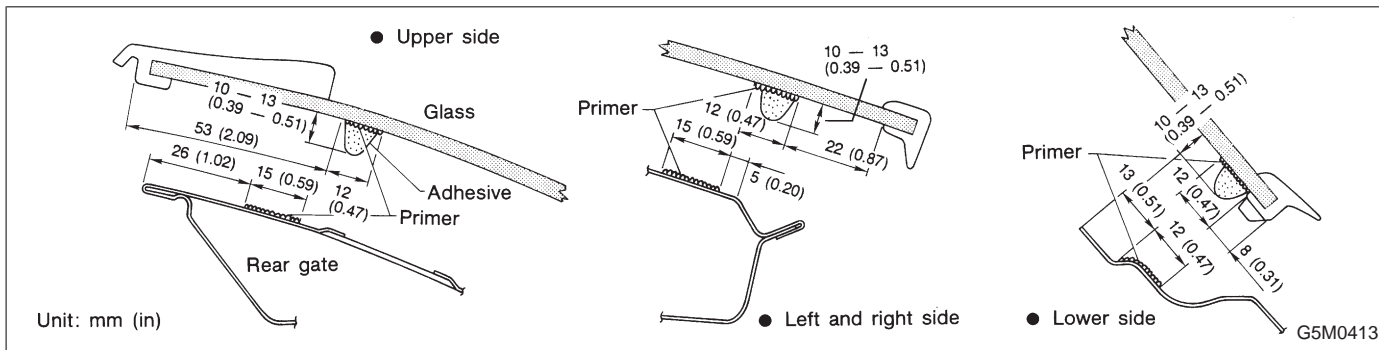
**CAUTION:**

Be careful not to damage molding re-installing the old rear window glass using a piano wire.

**NOTE:**

A matching pin is cemented to corners of glass on compartment side. Use a piano wire when cutting each pin.

### B: INSTALLATION



- 1) Install rear gate trimming.
- 2) Install glass in same manner as windshield.
- 3) About one hour after installation, test for water leakage. Leave vehicle for 24 hours before using it.
- 4) Connect rear defogger connections.
- 5) Install high mount stop light and rear wiper.