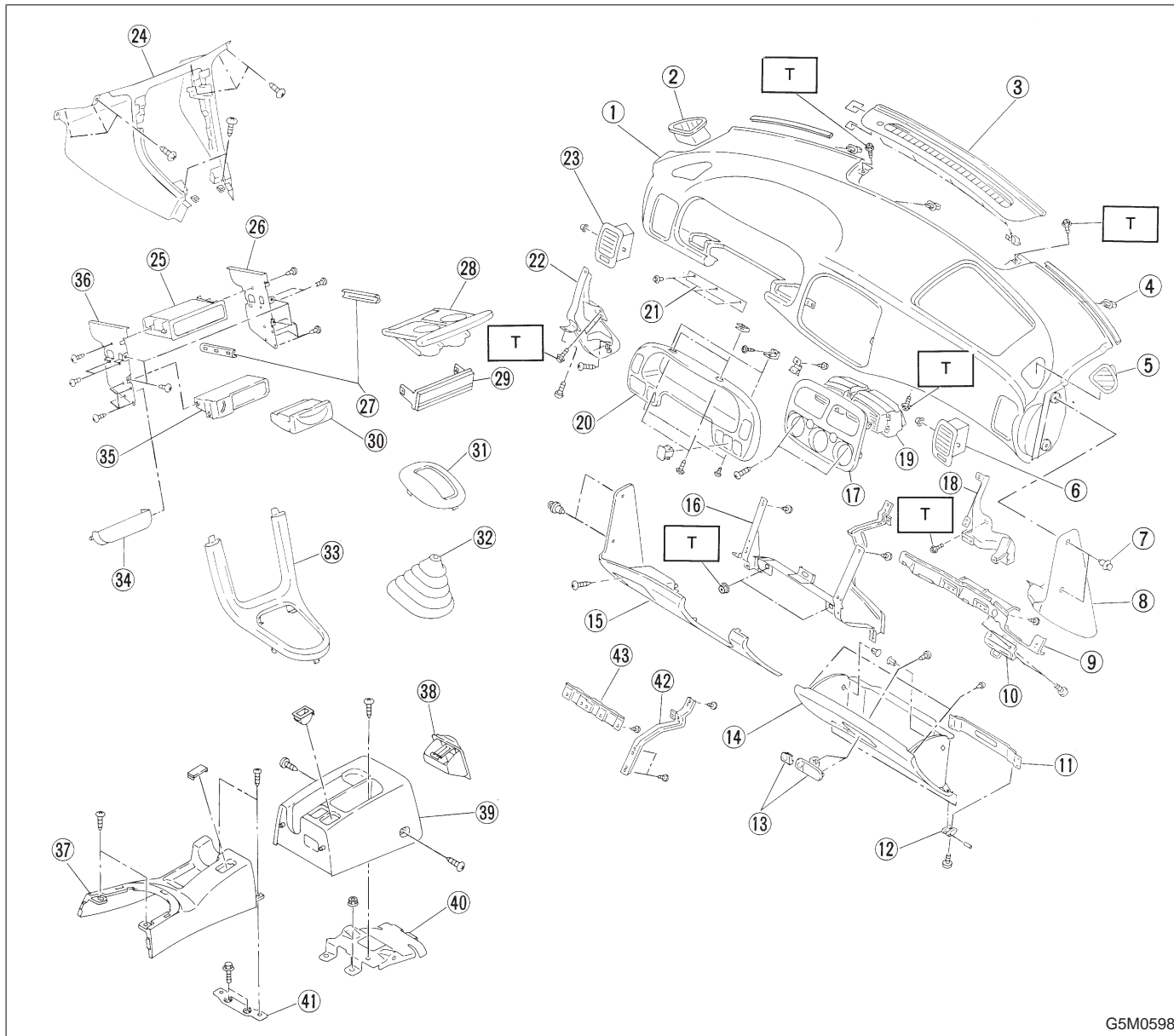


1. Instrument Panel



G5M0598

- | | | |
|----------------------|-----------------------------|------------------------|
| ① Pad & frame | ①⑦ Panel CTR (A) | ③③ Console cover |
| ② Grille SD def. (D) | ①⑧ Reinf. (P) | ③④ Panel (Airbag) |
| ③ Front def. grille | ①⑨ Grille CTR def. | ③⑤ Housing (Ash tray) |
| ④ Grommet | ②⑩ Meter visor | ③⑥ BRKT (Radio) LH |
| ⑤ Grille SD def. (P) | ②⑪ Cover | ③⑦ Center console |
| ⑥ Grille vent (P) | ②⑫ Reinf. (D) | ③⑧ Ash tray |
| ⑦ Clip | ②⑬ Grille vent (D) | ③⑨ Rear console box |
| ⑧ SD panel (P) | ②⑭ Instrument panel console | ④① Rear console BRKT |
| ⑨ Reinf. airbag CTR | ②⑮ Pocket CTR | ④② Center console BRKT |
| ⑩ Striker | ②⑯ Rail (Cup holder) | ④③ Reinf. airbag B |
| ⑪ Frame pocket | ②⑰ Cup holder | ④④ Reinf. airbag UPPER |
| ⑫ Hinge | ②⑱ Panel (Radio) | |
| ⑬ Lock ASSY | ③⑰ Ash tray | |
| ⑭ Pocket ASSY | ③⑱ Panel (AT) ASSY | |
| ⑮ Lower cover ASSY | ③⑲ Shift boot | |
| ⑯ Reinf. CTR | | |

Tightening torque: N·m (kg·cm, in·lb)
T: 6.9±1.0 (70±10, 60.8±8.7)