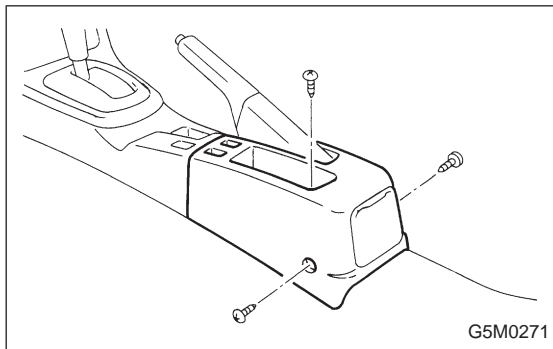


1. Instrument Panel **AIRBAG**

Airbag system wiring harness is routed near combination meter.

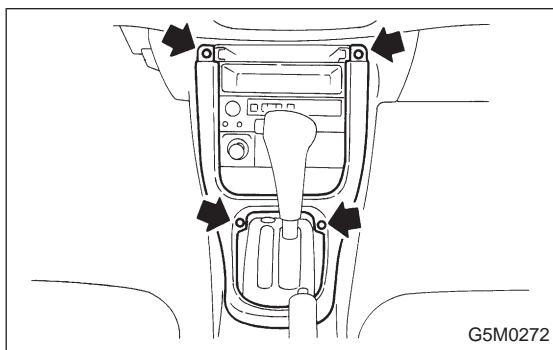
CAUTION:

- All Airbag system wiring harness and connectors are colored yellow. Do not use electrical test equipment on these circuits.
- Be careful not to damage Airbag system wiring harness when servicing the combination meter.

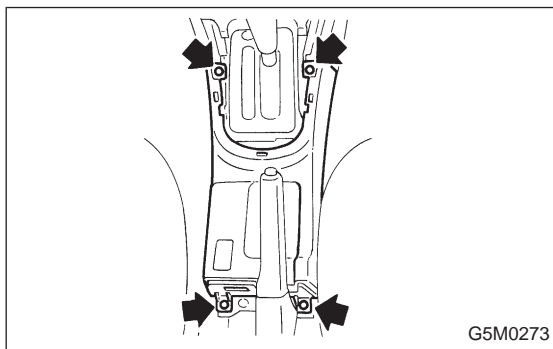


A: REMOVAL

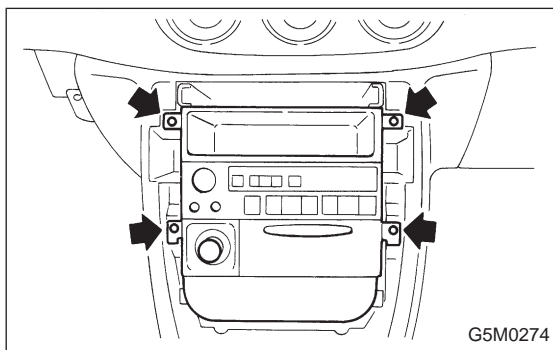
- 1) Disconnect GND cable from battery.
- 2) Remove rear console box.



- 3) Pull cup holder.
- 4) Turn over shift lever boot of front end (MT model). Remove select lever cover (AT model).
- 5) Remove console cover.



- 6) Remove center console.

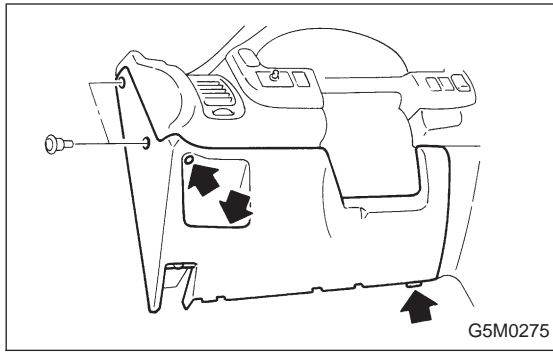


- 7) Remove audio assembly and then disconnect radio antenna feeder and connectors.

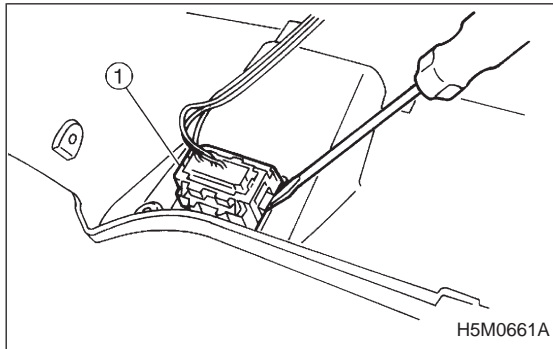
CAUTION:

Be sure to hold socket section and not harness when disconnecting.

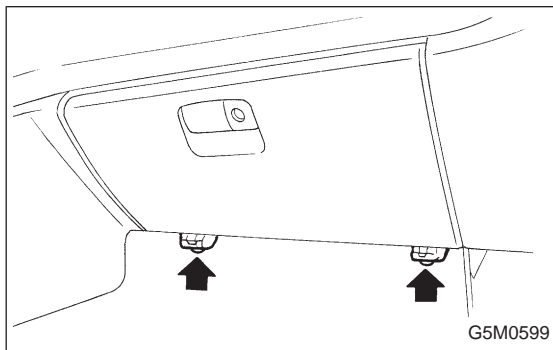
1. Instrument Panel



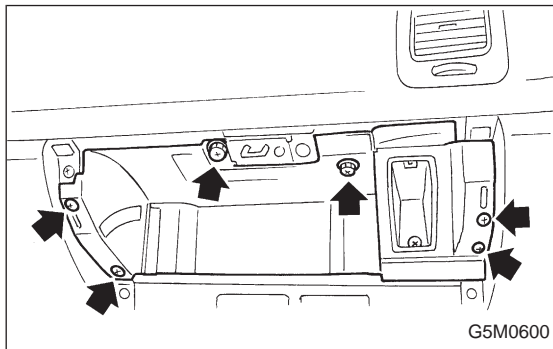
8) Remove lower cover and then disconnect seat belt timer connector.



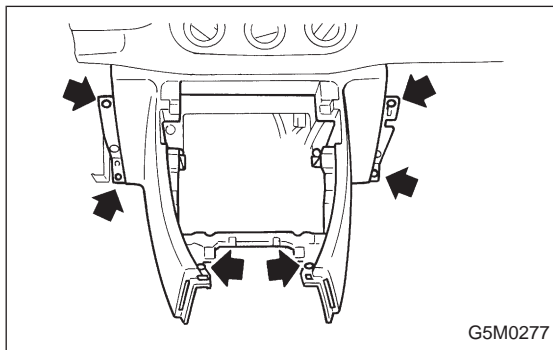
9) Disconnect data link connector ① from lower cover.



10) Remove glove box.



11) Remove pocket back panel.



12) Remove instrument panel console.

17) Disconnect harness connectors. (①: 15P/Gray, ②: 5P/Natural, ③: 20P/White, ④: 20P/Blue, ⑤: 12P/Black, ⑥: 8P/Natural, ⑦: 1P/Blue, ⑧: 6P/Black, ⑨: 20P/Natural, ⑩: 8P/Natural & Black, ⑪: Airbag connector (AB10)/Yellow <Ref. to 5-5 [M2-6].>.

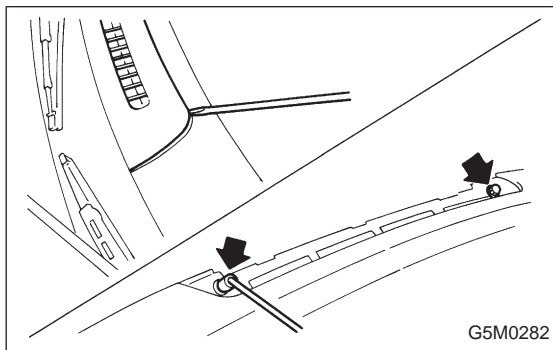
CAUTION:

- Be sure to hold socket section and not harness when disconnecting.
- When disconnecting airbag connector (AB10), <refer to 5-5 [M2-6].>

NOTE:

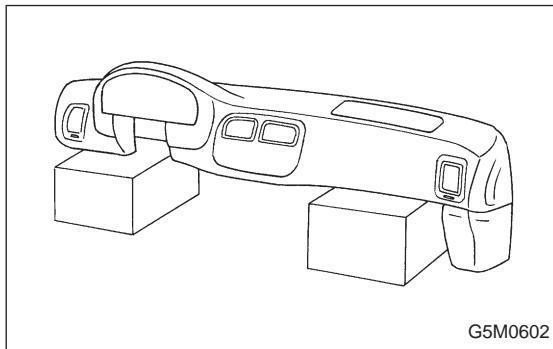
Put matching mark, if necessary, for easy re-assembly.

18) Remove the ten bolts and nuts.

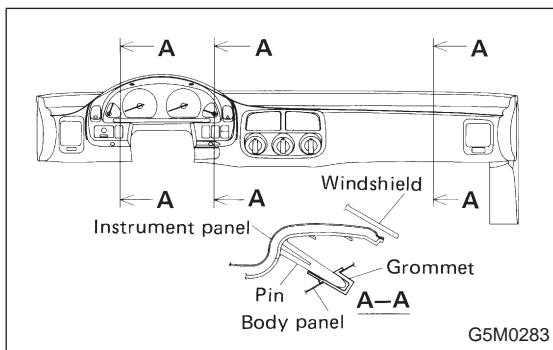


19) Remove front defroster grille and two bolts.

20) Remove instrument panel carefully from the body and then disconnect speedometer cable from back of combination meter.

**CAUTION:**

When storing removed instrument panel with passenger airbag module, place it standing up on the floor.

**B: INSTALLATION**

1) Installation is in the reverse order of removal.

Observe the following:

When setting instrument panel into position, push three pins into grommet on body panel

CAUTION:

- Be careful not to snag the harness.
- Make sure to connect harness connectors.