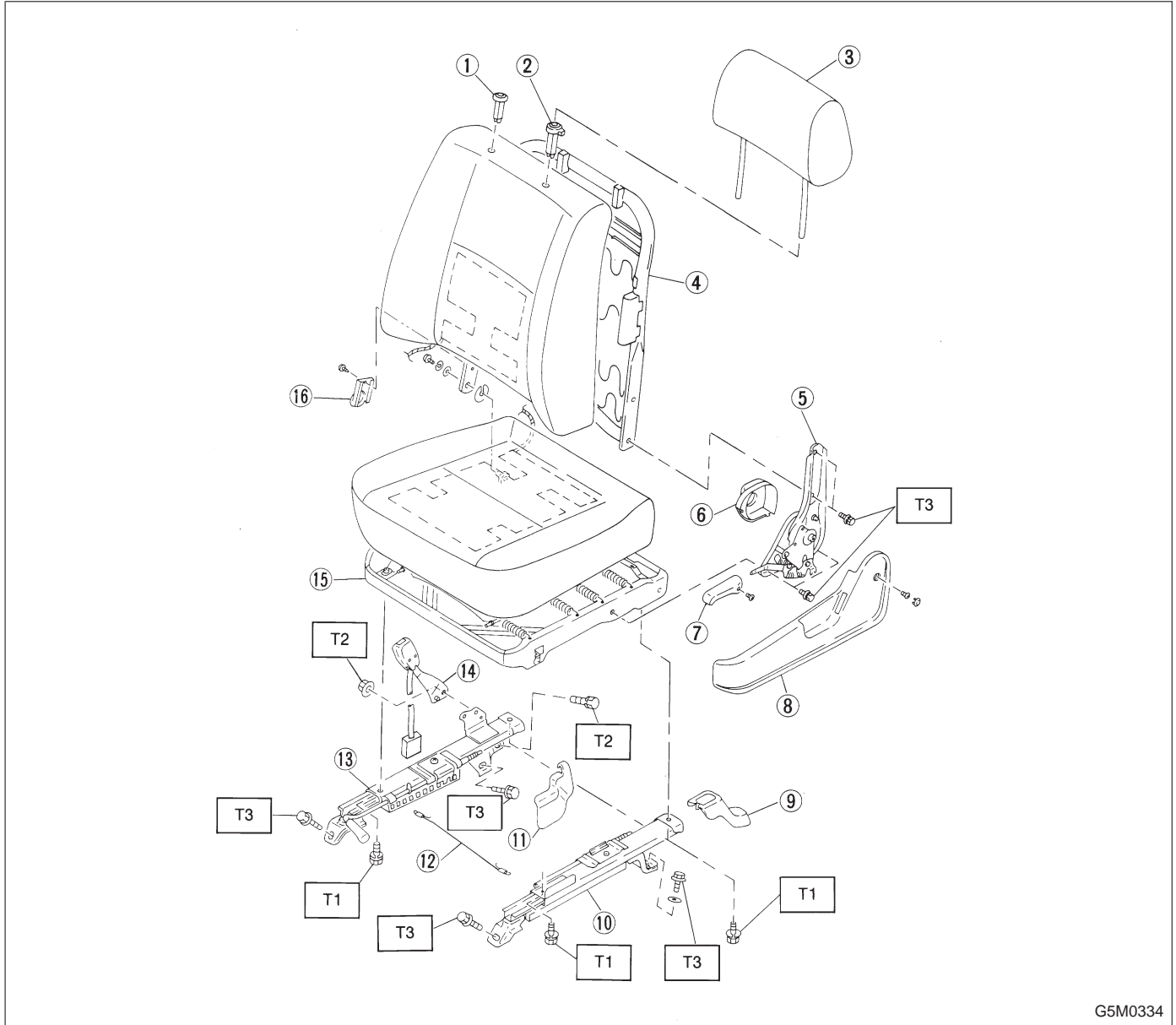


1. Front Seat



G5M0334

- ① Headrest free bushing
- ② Headrest lock bushing
- ③ Pad and cover ASSY
- ④ Front backrest frame ASSY
- ⑤ Reclining hinge ASSY
- ⑥ Hinge spring cover
- ⑦ Reclining lever

- ⑧ Hinge cover
- ⑨ Cover (Bolt) (outer)
- ⑩ Outer slide rail ASSY
- ⑪ Cover (Bolt) (inner)
- ⑫ Connect wire
- ⑬ Inner slide rail ASSY
- ⑭ Inner belt ASSY

- ⑮ Front cushion frame ASSY
- ⑯ Protector

Tightening torque: N·m (kg·m, ft·lb)
T1: 18 — 27 (1.8 — 2.8, 13 — 20)
T2: 23 — 36 (2.3 — 3.7, 17 — 27)
T3: 42 — 62 (4.3 — 6.3, 31 — 46)