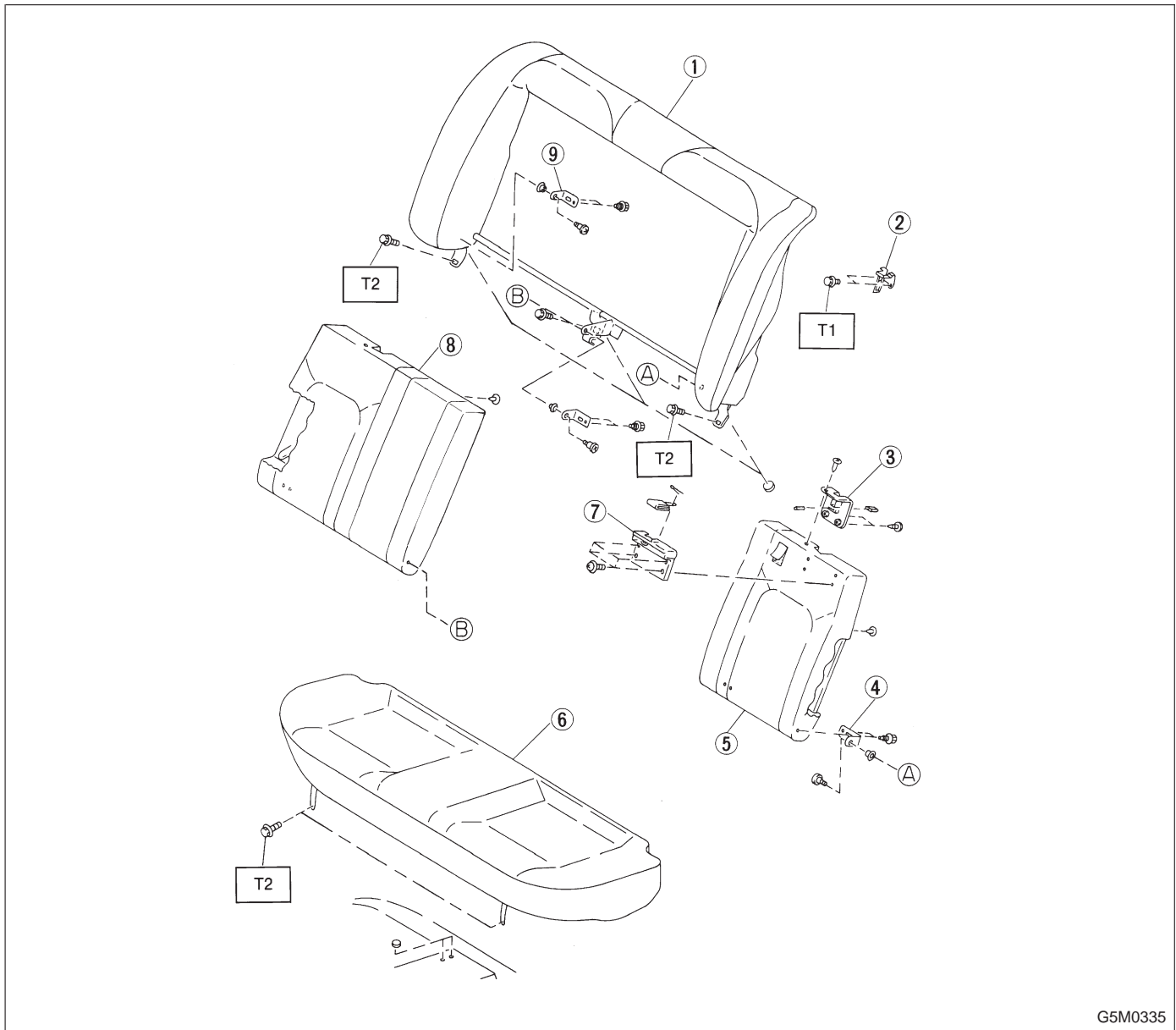


2. Rear Seat (Sedan and Coupe)

1. FOLD-DOWN TYPE

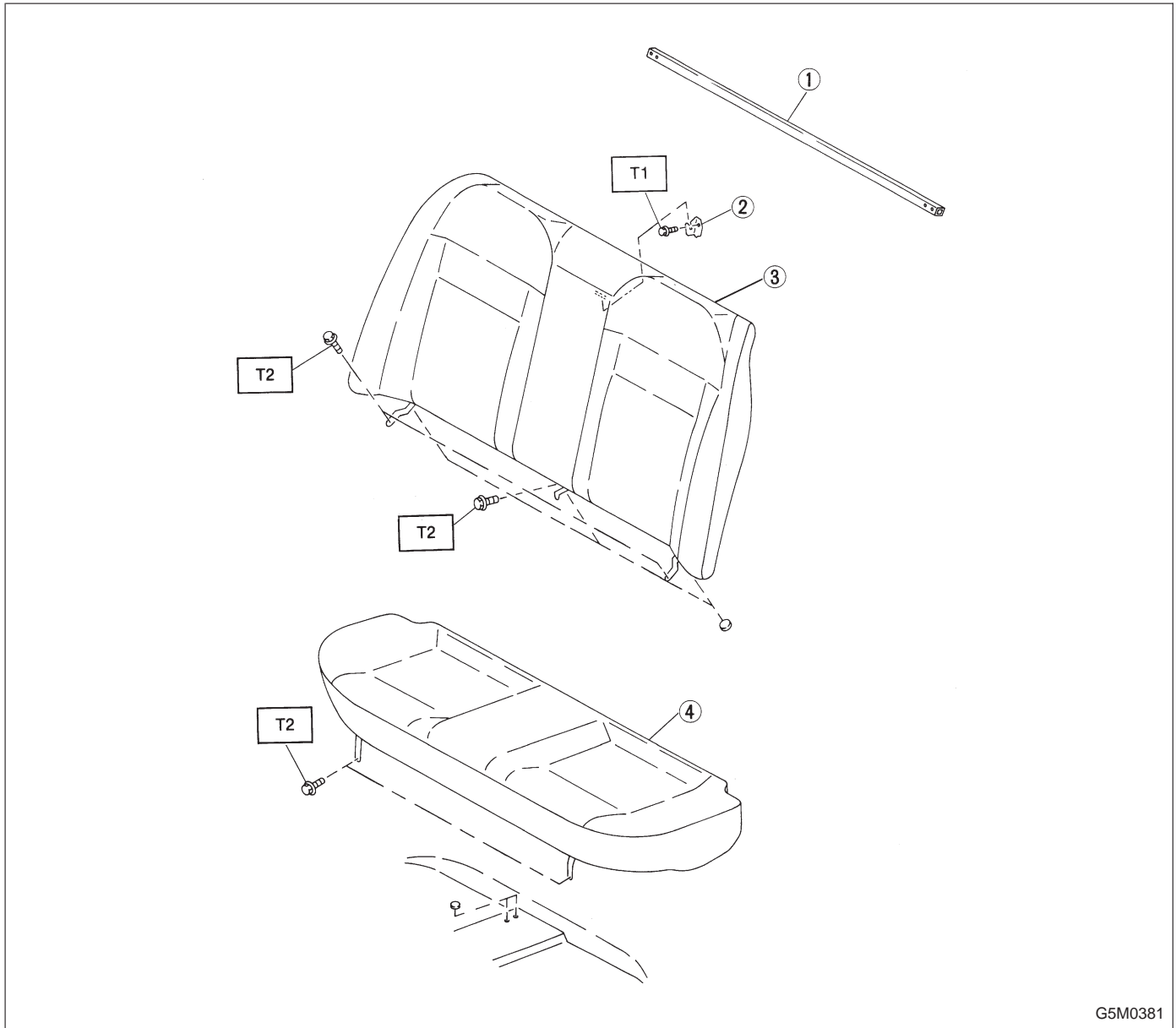


G5M0335

- ① Backrest
- ② Striker
- ③ Lock cover
- ④ Bracket (LH)
- ⑤ Backrest (LH)
- ⑥ Cushion
- ⑦ Lock ASSY
- ⑧ Backrest (RH)
- ⑨ Bracket (RH)

Tightening torque: N·m (kg·m, ft·lb)
T1: 7 — 13 (0.7 — 1.3, 5.1 — 9.4)
T2: 18 — 31 (1.8 — 3.2, 13 — 23)

2. FIXED TYPE



G5M0381

- ① Rear seat reinforcement
- ② Hook
- ③ Backrest
- ④ Rear cushion

Tightening torque: N·m (kg·m, ft·lb)
T1: 7 — 13 (0.7 — 1.3, 5.1 — 9.4)
T2: 18 — 31 (1.8 — 3.2, 13 — 23)