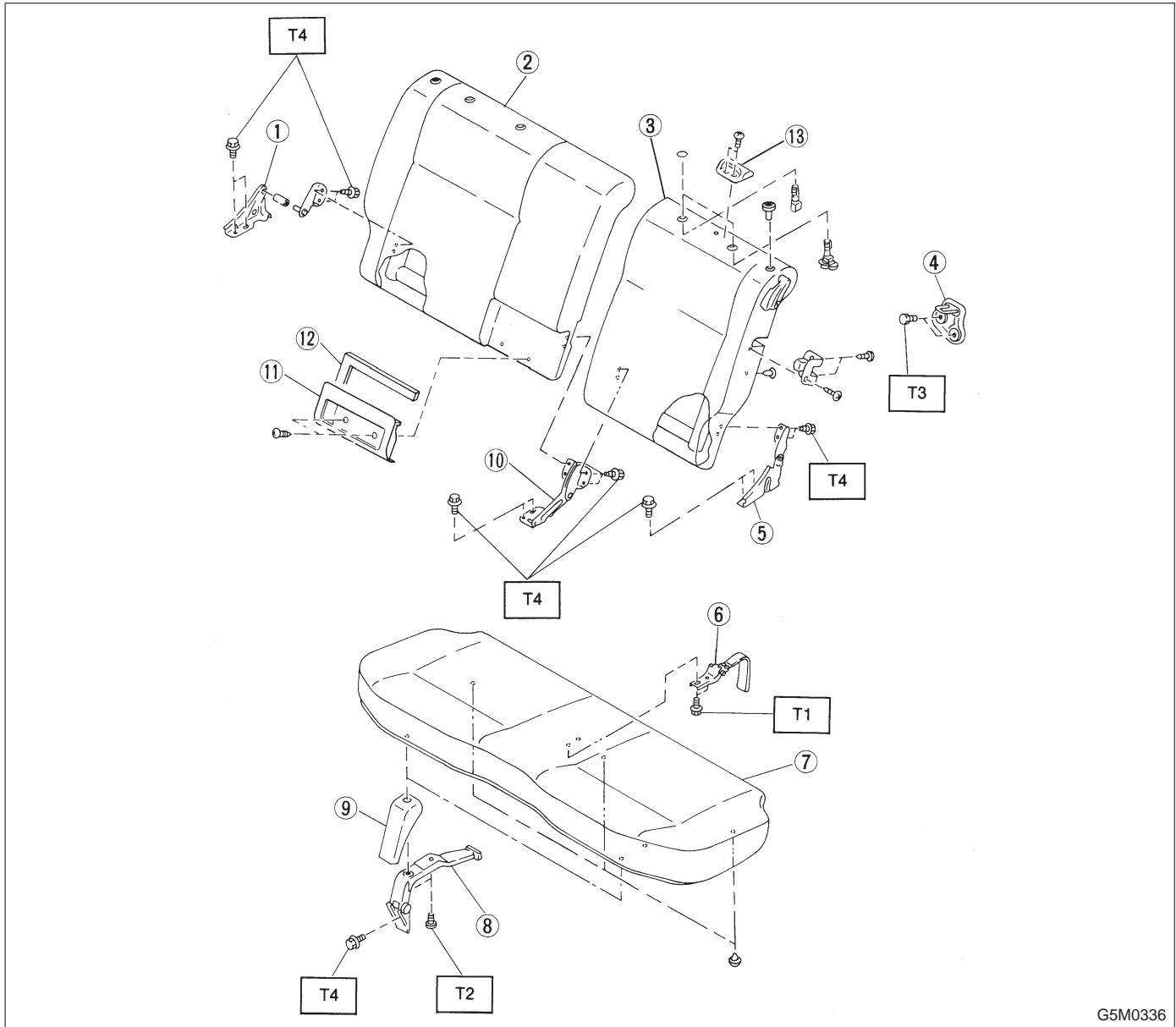


3. Rear Seat (Wagon)



G5M0336

- | | |
|----------------------|-------------------------|
| ① Hinge bracket (RH) | ⑧ Hinge |
| ② Backrest (RH) | ⑨ Hinge cover |
| ③ Backrest (LH) | ⑩ Backrest center hinge |
| ④ Striker | ⑪ Belt pocket |
| ⑤ Hinge bracket (LH) | ⑫ Pad ASSY pocket |
| ⑥ Lock hinge | ⑬ Hook |
| ⑦ Rear cushion | |

Tightening torque: N·m (kg·m, ft·lb)
T1: 1 — 3 (0.1 — 0.3, 0.7 — 2.2)
T2: 4.4 — 7.4
(0.45 — 0.75, 3.3 — 5.4)
T3: 7 — 13 (0.7 — 1.3, 5.1 — 9.4)
T4: 18 — 31 (1.8 — 3.2, 13 — 23)