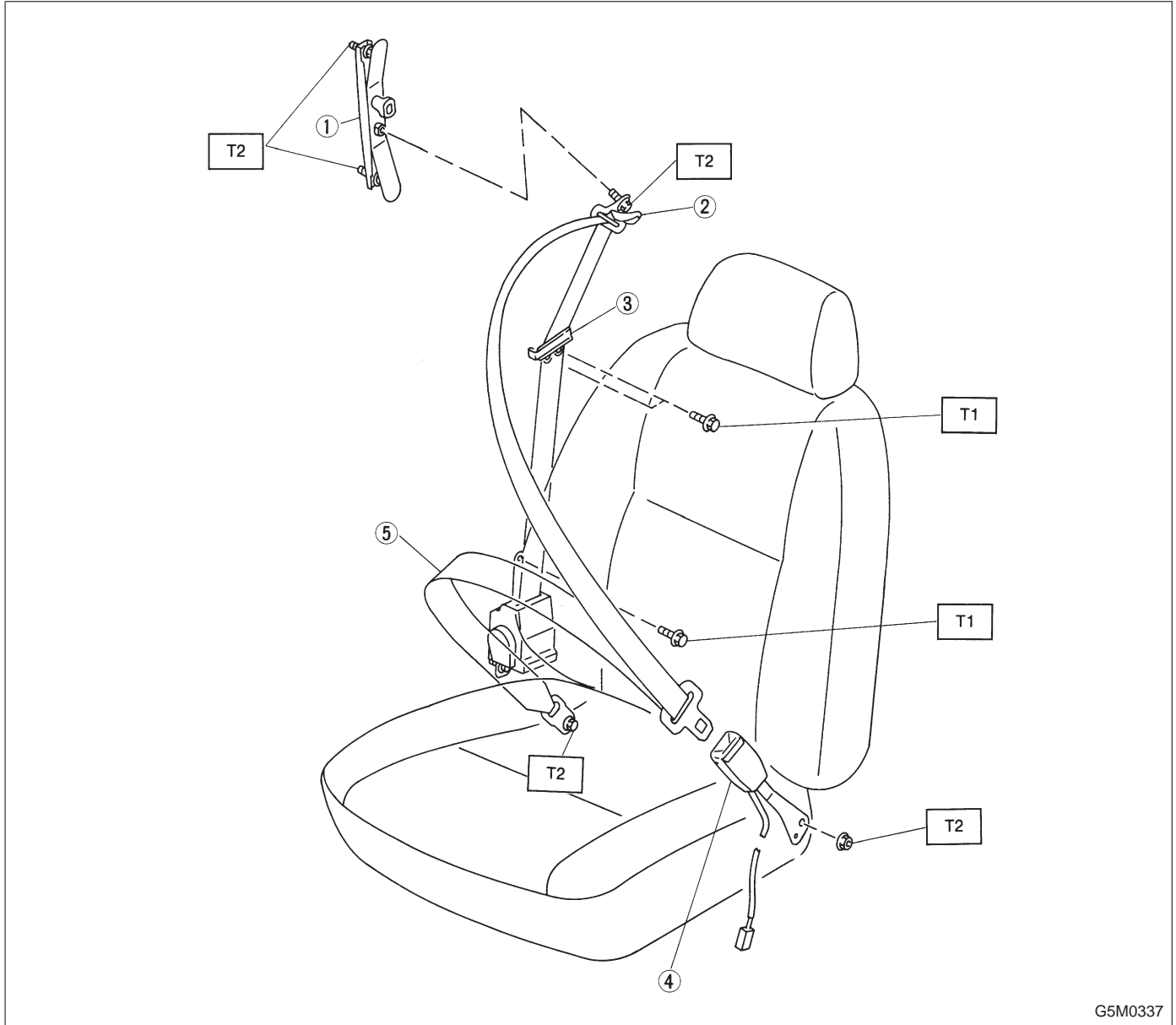


4. Front Seat Belts



- ① Adjuster anchor ASSY
- ② Through cover
- ③ Webbing guide
- ④ Inner belt ASSY
- ⑤ Outer belt ASSY

Tightening torque: N·m (kg·m, ft·lb)
T1: 10 — 16 (1.0 — 1.6, 7 — 12)
T2: 23 — 49 (2.3 — 5.0, 17 — 36)