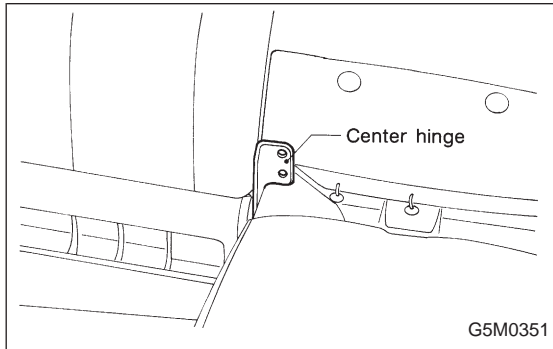
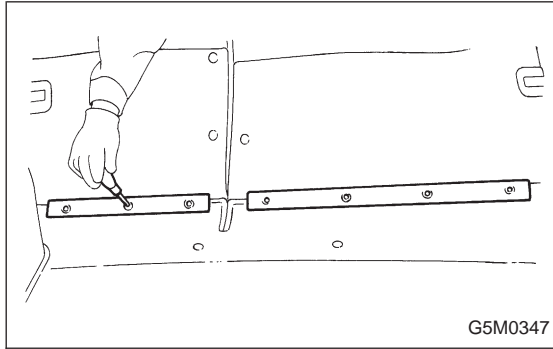
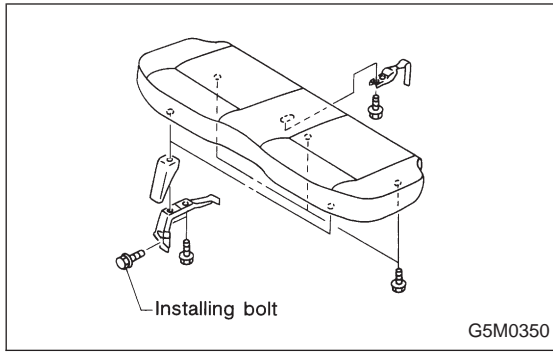
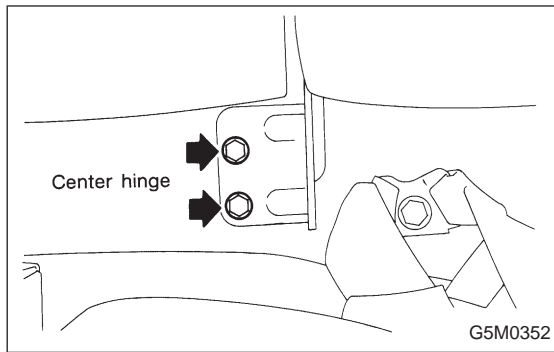


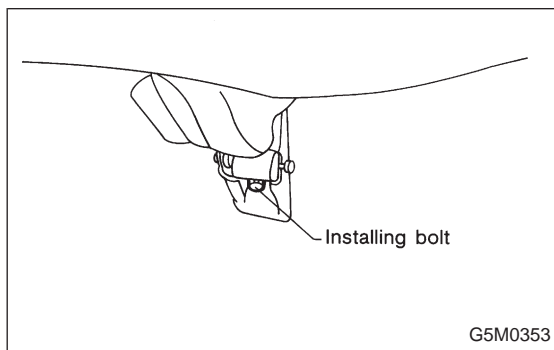
## 3. Rear Seat (Wagon)

**3. Rear Seat (Wagon)****A: REMOVAL**

- 1) Remove bolts securing hinges (located at front of seat) to body.
- 2) Pull strap (located in middle rear portion of cushion) to release lock. Lift cushion out and away from body.
- 3) Pull knobs (located at each side of backrest's upper portion) up to release lock, and fold backrest all the way forward.
- 4) Remove screws which secure overlapped portions of luggage compartment mat and mat directly behind backrest.
- 5) Roll up mat (located at rear of left backrest) and remove the bolt which secures center hinge to backrest.
- 6) Tilt left backrest forward until striker engages with lock, and remove the bolt which secures side hinge to body.
- 7) Pull knob up until left backrest lock is released. Slide backrest forward and away from body.
- 8) Remove the bolt which secures center hinge of right backrest to body.
- 9) Pull knob up until right backrest lock is released. While tilting backrest forward, remove hinge pin from hole in bracket, and remove backrest and away from body.

**B: INSTALLATION**

- 1) Install hinge bracket to body.
- 2) Insert right backrest hinge pin into hole in bracket. Tilt backrest backward until striker engages with lock.
- 3) Secure right backrest center hinge to body using a bolt.
- 4) Temporarily install left backrest side hinge to body using a bolt, and fold backrest forward to the floor.
- 5) Roll up mat (located at rear of left backrest), and install center hinge using a bolt.
- 6) Tilt left backrest until striker engages with lock, and tighten bolt [refer to step 4)].



- 7) Install hinges to front of cushion and tighten with bolts. Check that lock properly engages.
- 8) Fold backrest onto cushion and overlap trunk mat and mat at rear of backrest. While pushing down on edges of these mats, tighten screws.

**CAUTION:**

- Do not allow center seat belt to get under cushion when folding cushion.
- Ensure that side seat belt tongue is free from cushion and trim panel.
- Before folding cushion, store seat belt in belt pocket located in backrest.
- Lift front of cushion to ensure that cushion is properly locked.
- Before removing or installing backrest, pull seat belt out of backrest belt pocket.