

7. Rear Pillar Upper Trim Panel (Sedan and Coupe)

A: REMOVAL

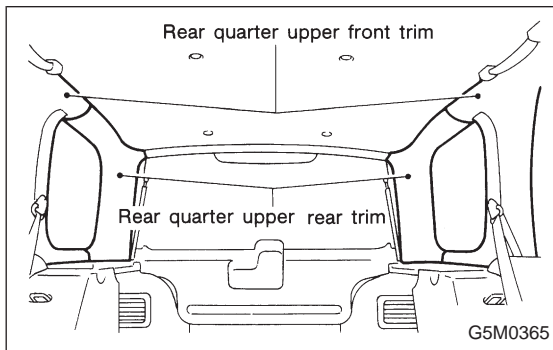
- 1) Remove rear seat cushion and backrest.
- 2) Remove tapping screw from rear pillar lower trim panel, and remove trim panel by sliding it forward.
- 3) Remove front pillar upper trim end.
- 4) Pry the pawl off front end using screwdriver.
- 5) Remove clips which hold rear pillar upper trim, and remove trim panel by sliding it forward.

B: INSTALLATION

Installation is in the reverse order of removal.

CAUTION:

Be sure to securely hook pawls of rear pillar upper trim panel on body flange.



8. Rear Quarter Pillar Upper Trim Panel (Wagon)

A: REMOVAL

- 1) Set rear seat cushion up.
- 2) Remove rear seat backrest.
- 3) Remove rear quarter lower trim.
- 4) Remove rear rail trim.
- 5) Remove rear quarter upper front trim.
- 6) Remove rear quarter upper rear trim.

B: INSTALLATION

Installation is in the reverse order of removal.

CAUTION:

Be sure to securely hook pawls of rear quarter pillar trim panel on body flange.