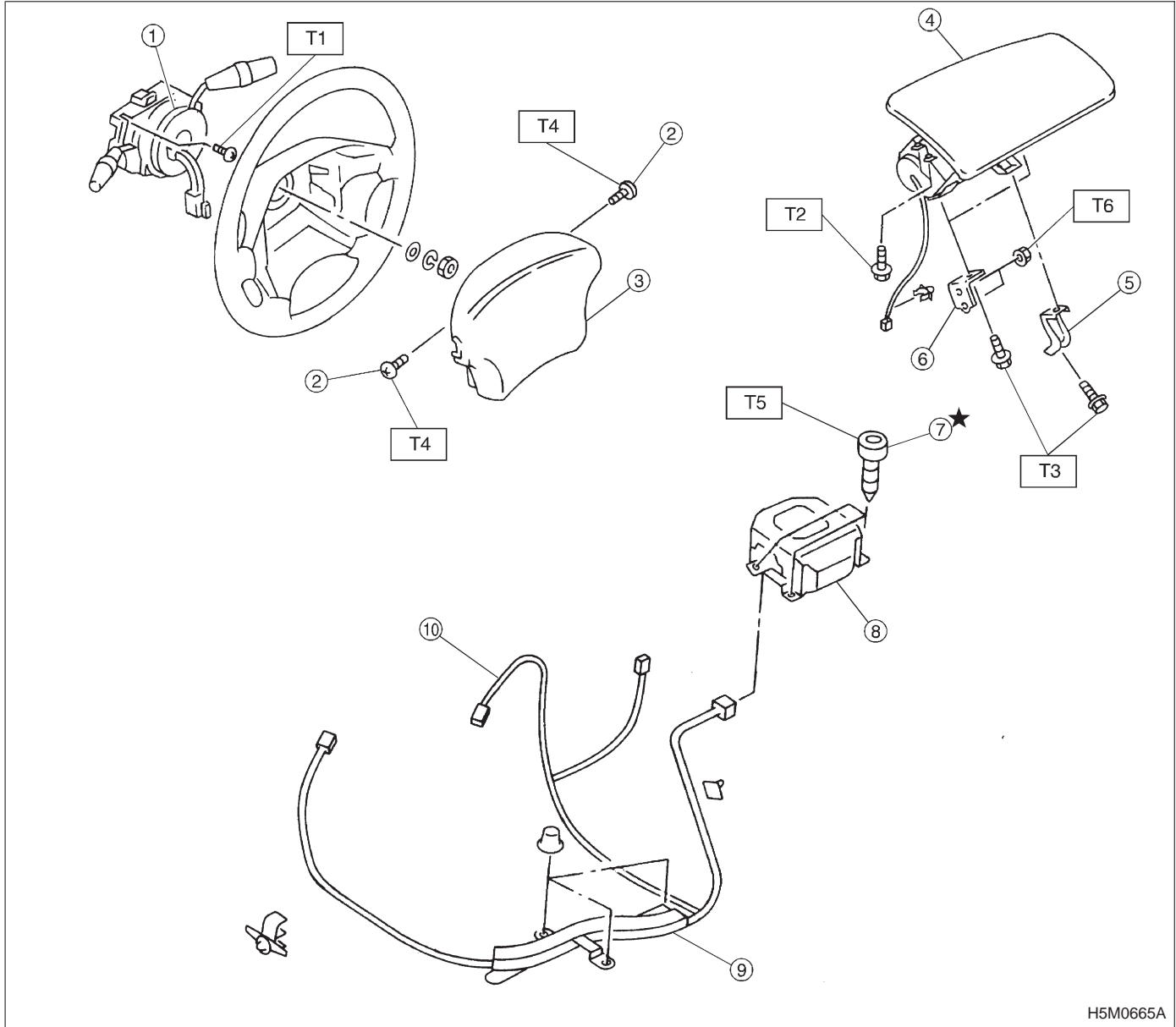


1. SRS Airbag



H5M0665A

- ① Combination switch ASSY with roll connector
- ② TORX® bolt
- ③ Airbag module ASSY (Driver)
- ④ Airbag module ASSY (Passenger)
- ⑤ BRKT A
- ⑥ BRKT B
- ⑦ TORX® bolt
- ⑧ Airbag control module
- ⑨ Protector LH
- ⑩ Airbag main harness

**Tightening torque: N·m (kg·cm, in·lb)**

- T1: 2.5±0.5 (25±5, 21.7±4.3)
- T2: 4.4±1.5 (45±15, 39±13)
- T3: 7.4±0.2 (75±2, 65.1±1.7)
- T4: 9.8±2.0 (100±20, 87±17)
- T5: 9.81±2.45 (100.0±25.0, 86.8±21.7)
- T6: 17.7±4.9 (180±50, 156±43)