

- 2) Remove four bolts and then carefully remove airbag module.
- 3) Refer to "5-5 [W102]" for handling of a removed airbag module.

B: INSTALLATION

Installation is in reverse order of removal procedures. Observe the following: Make sure that ignition switch is off.

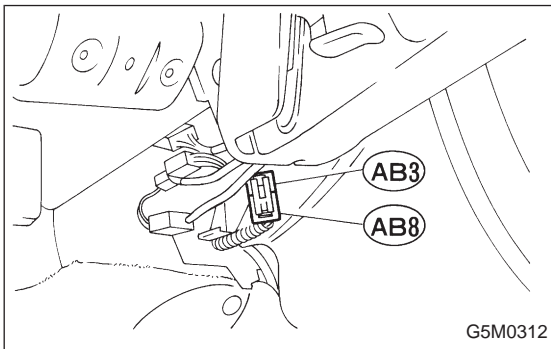
CAUTION:

Do not allow harness and connectors to interfere or get caught with other parts.

3. Main Harness

A: REMOVAL

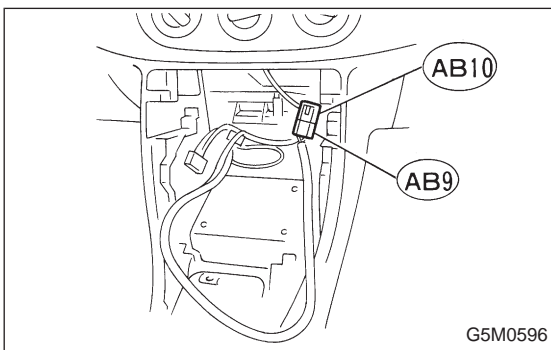
- 1) Turn ignition switch off.
- 2) Disconnect ground cable from battery and wait for at least 20 seconds before starting work.



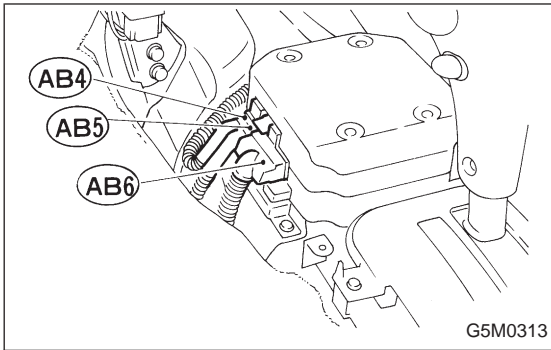
- 3) Remove lower cover. <Ref. to 5-4 [W1A0].> Disconnect airbag connector (AB3) and (AB8) below steering column.

CAUTION:

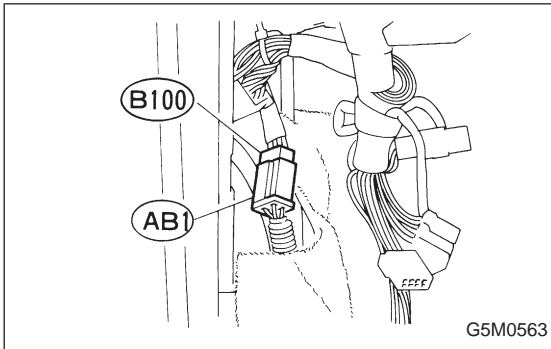
Do not reconnect airbag connector at steering column until main harness are securely re-installed.



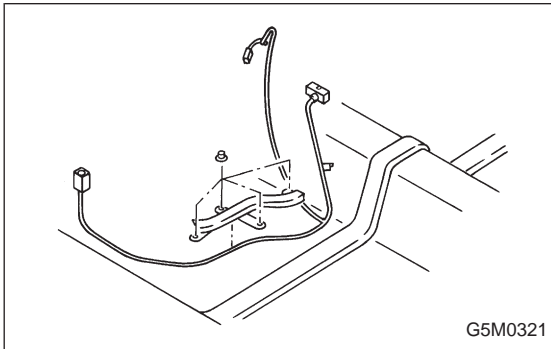
- 4) Disconnect airbag connector (AB9) and (AB10) <Ref. to 5-5 [T5F1].>



5) Remove instrument panel console. <Ref. to 5-4 [W1A0].> Disconnect 12-pin yellow connector (AB6) from airbag control unit. <Ref. to 5-5 [M2-6].>



6) Disconnect body harness connector (B39) from connector (AB1).



7) Roll up floor mat and side sill cover. (LH side). Remove main harness from clip and protector.

B: INSTALLATION

Installation is in reverse order of removal procedures.

4. Airbag Control Module

CAUTION:

- Do not disassemble the airbag control module.

