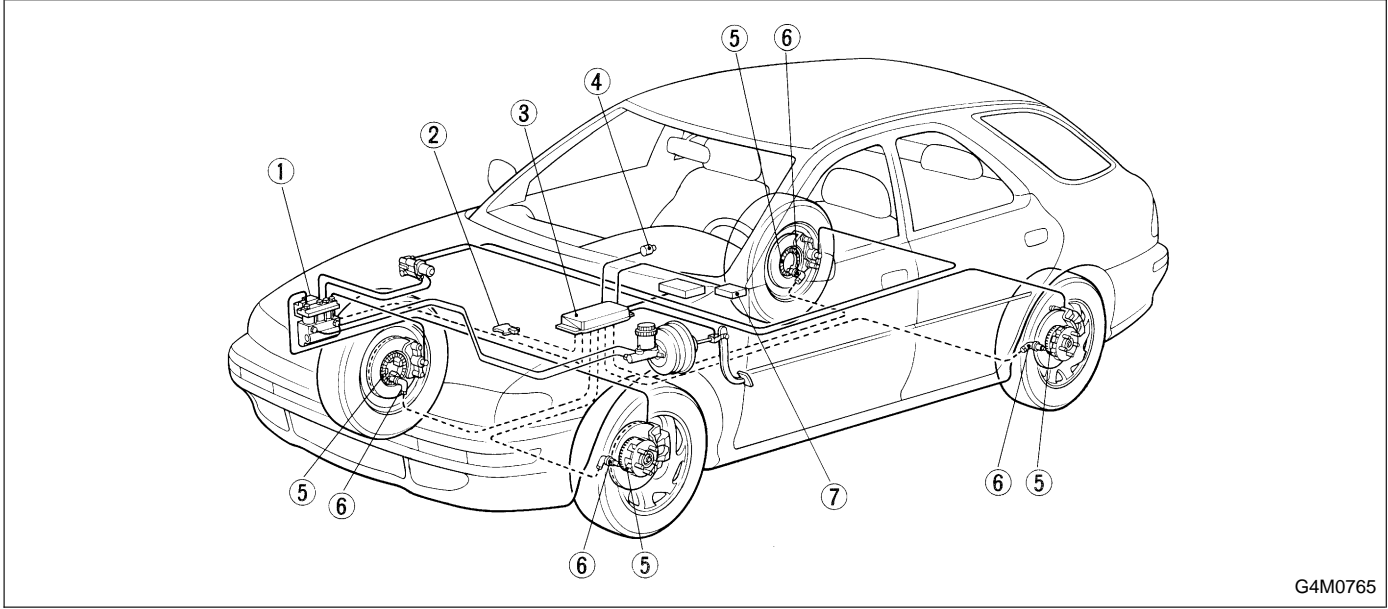
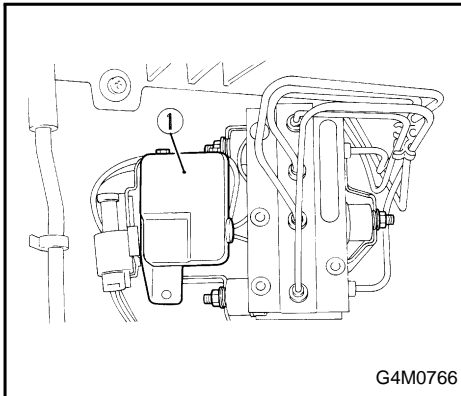


2. Electrical Unit Location

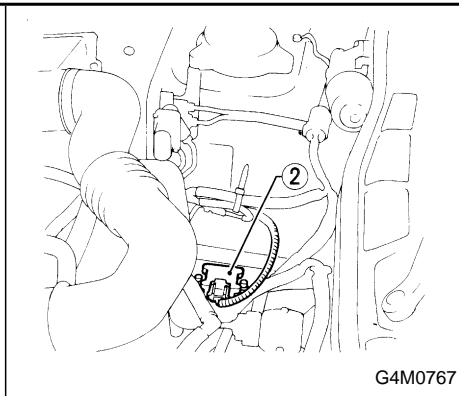


G4M0765

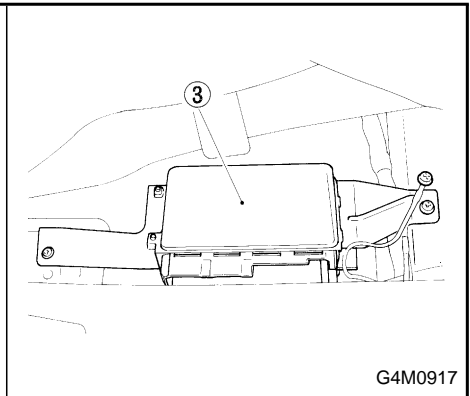
- ① Hydraulic control unit
- ② G sensor (AWD MT model)
- ③ A.B.S. control module
- ④ Warning light
- ⑤ Tone wheel
- ⑥ A.B.S. sensor
- ⑦ Check connector



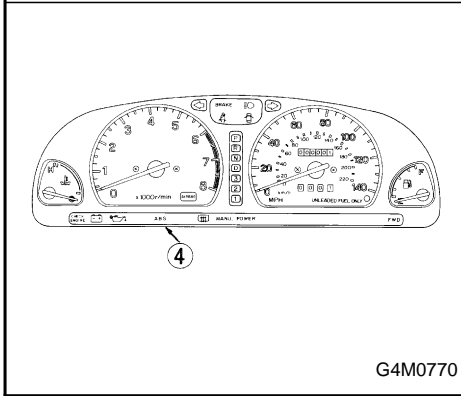
G4M0766



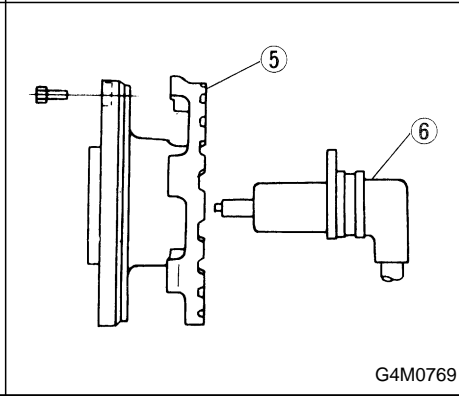
G4M0767



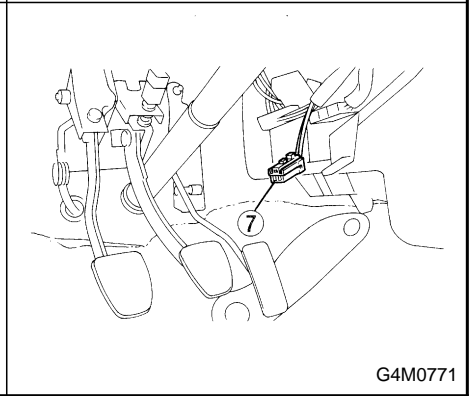
G4M0917



G4M0770



G4M0769



G4M0771