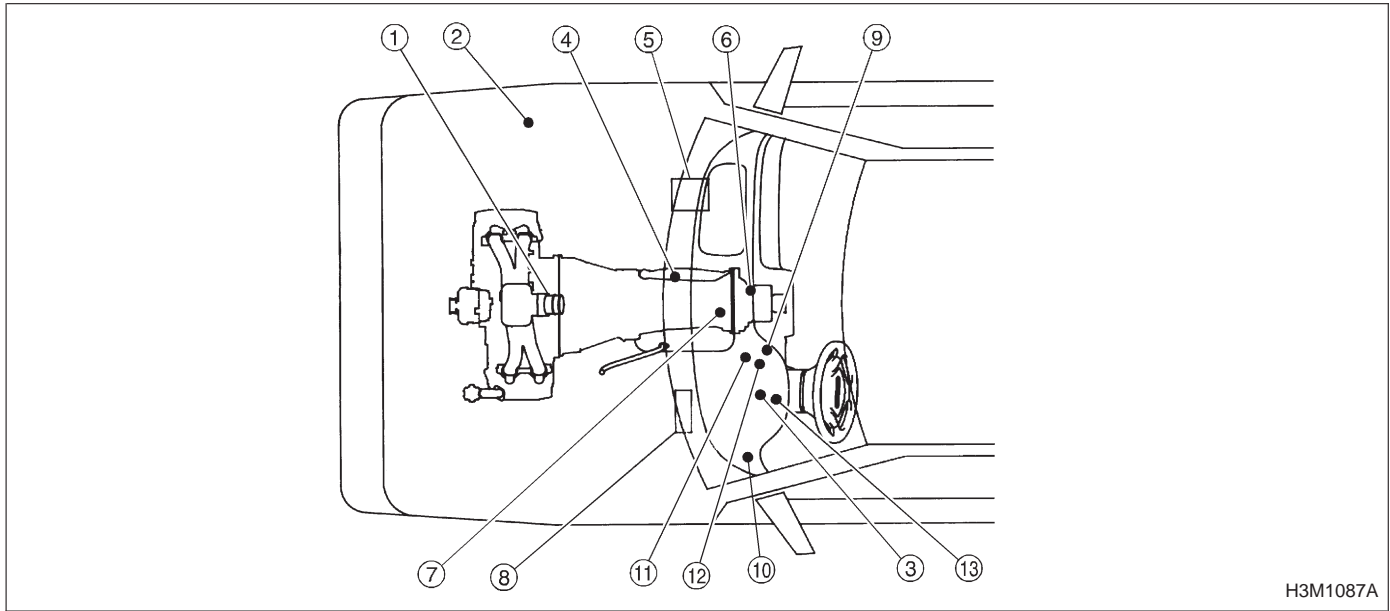


**3. Electrical Components Location**

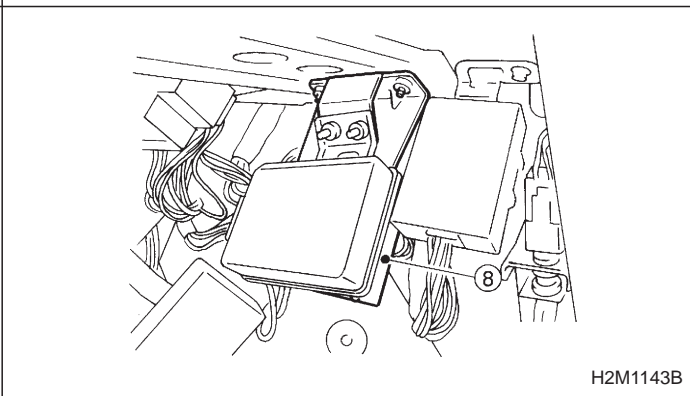
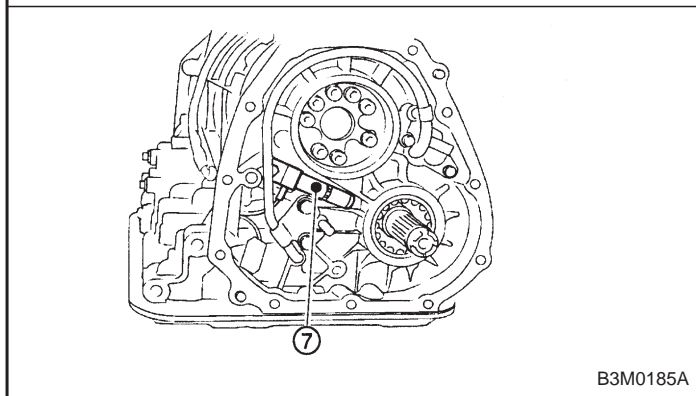
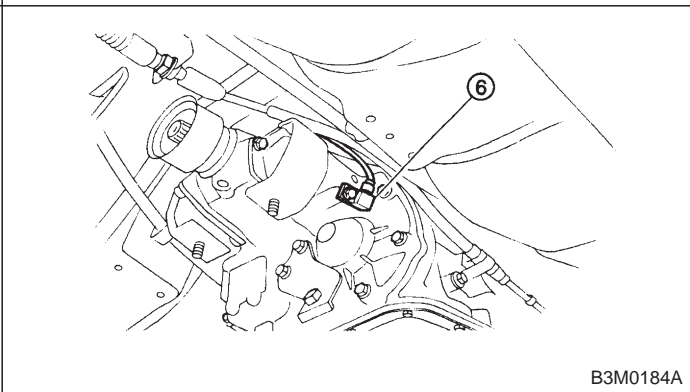
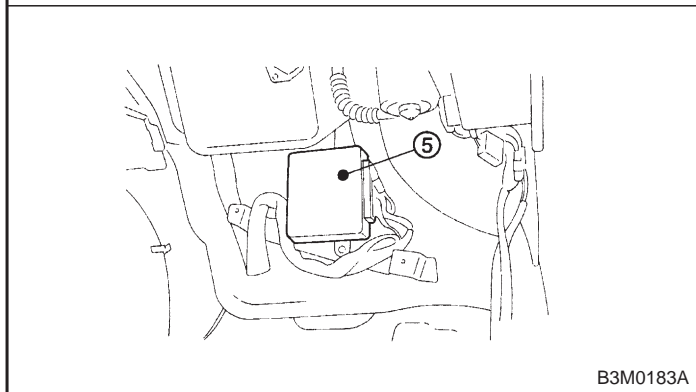
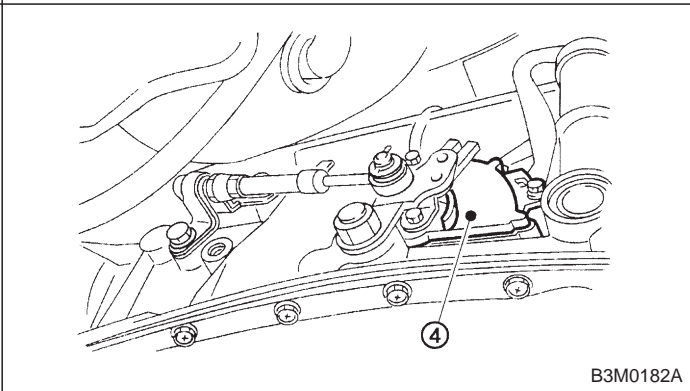
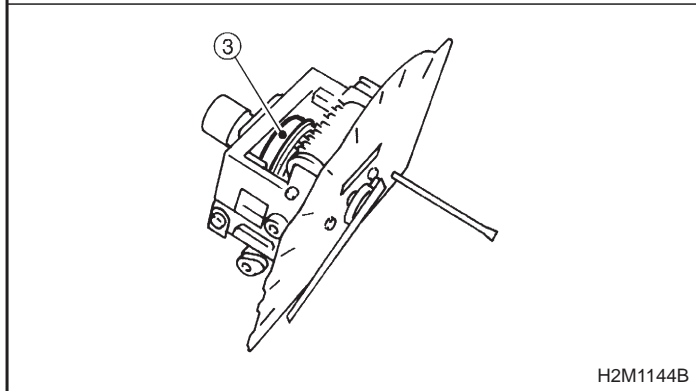
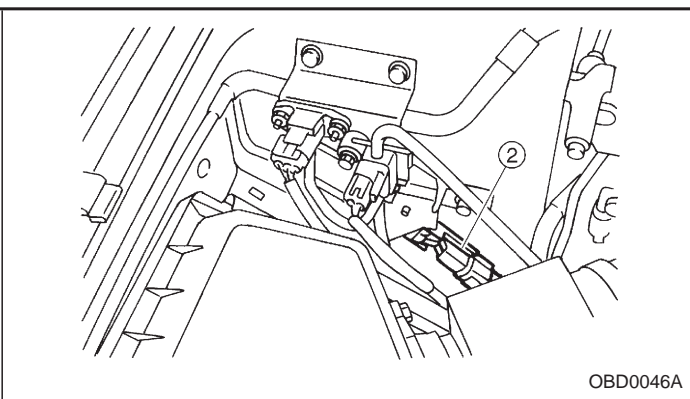
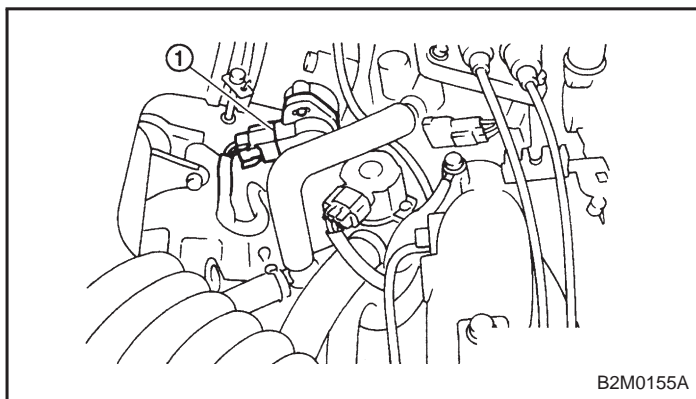
**1. SENSOR AND CONTROL MODULE**



H3M1087A

- ① Throttle position sensor
- ② Dropping resistor
- ③ Vehicle speed sensor 2
- ④ Inhibitor switch
- ⑤ ECM
- ⑥ Vehicle speed sensor 1 (AWD)
- ⑦ Vehicle speed sensor 1 (FWD)
- ⑧ TCM

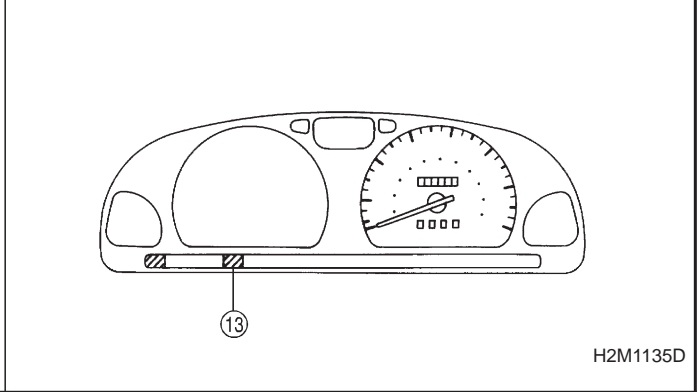
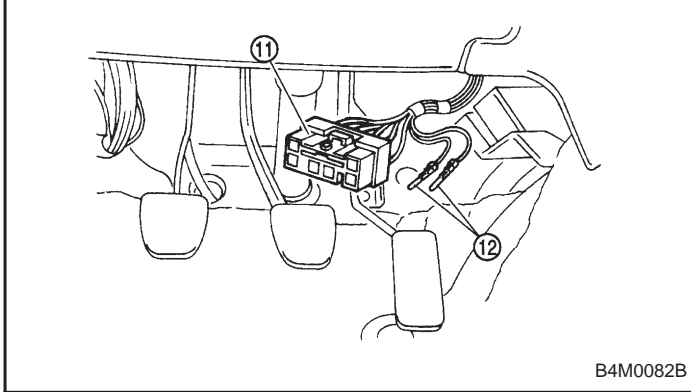
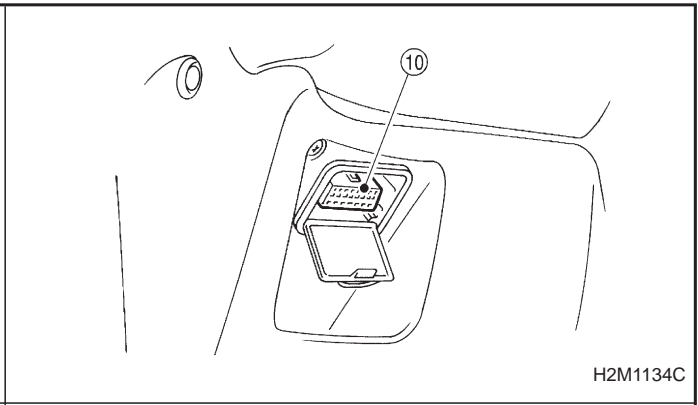
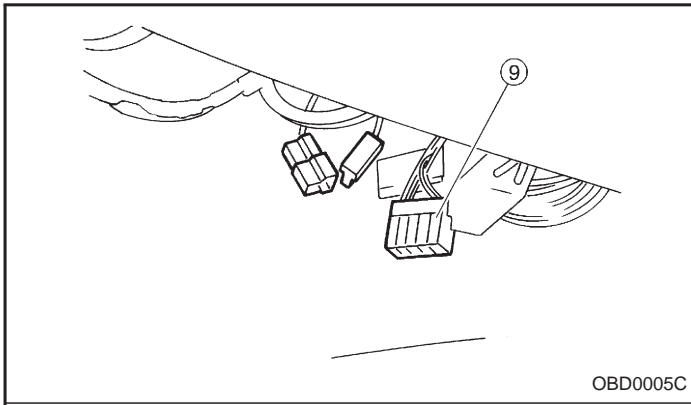
- ⑨ Data link connector (for Subaru select monitor only)
- ⑩ Data link connector (for Subaru select monitor and OBD-II general scan tool)
- ⑪ Diagnosis connector
- ⑫ Diagnosis terminal
- ⑬ AT OIL TEMP indicator light (AT diagnostic indicator light)



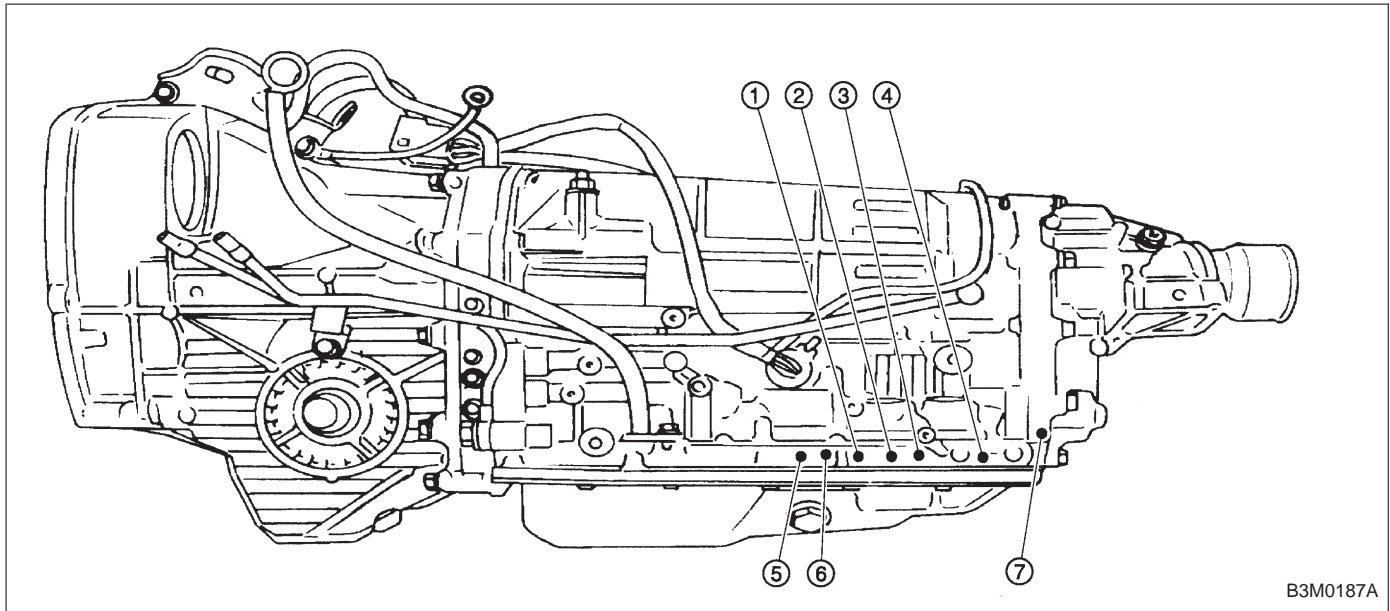
# 3-2b

# AUTOMATIC TRANSMISSION AND DIFFERENTIAL

## 3. Electrical Components Location

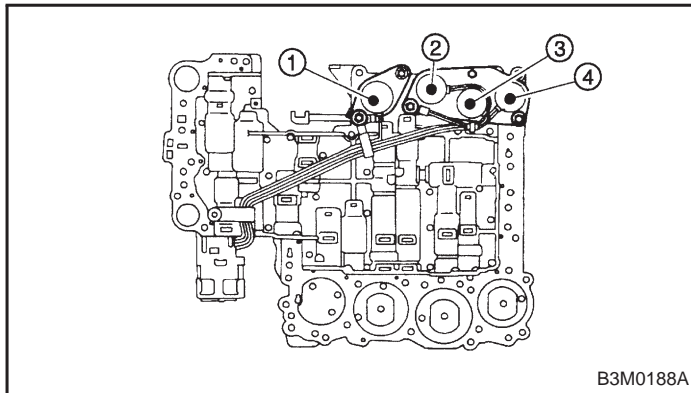


**2. SOLENOID**

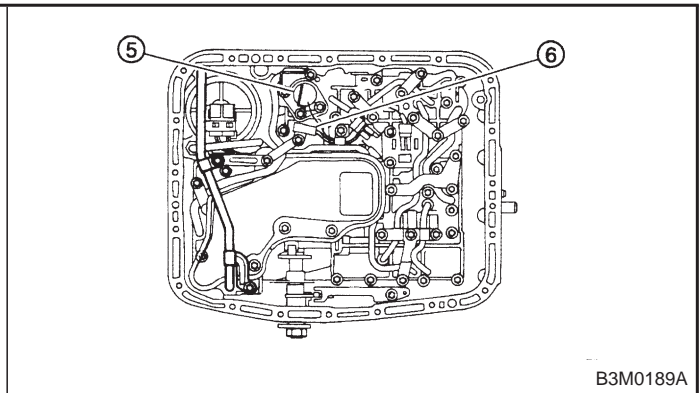


B3M0187A

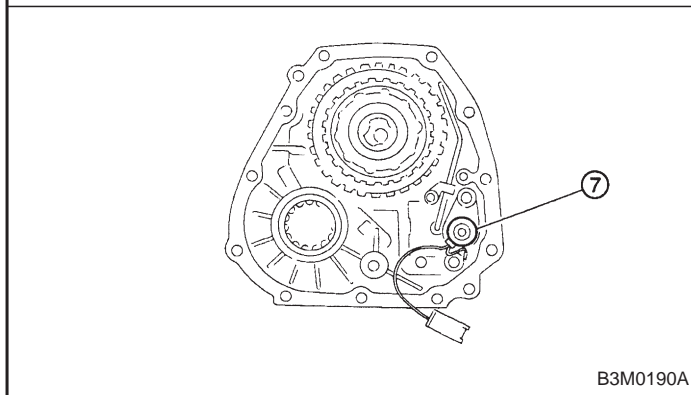
- ① Duty solenoid A
- ② Solenoid 2
- ③ Solenoid 1
- ④ Solenoid 3
- ⑤ Duty solenoid B
- ⑥ ATF temperature sensor
- ⑦ Duty solenoid C (AWD)



B3M0188A



B3M0189A



B3M0190A

**SUBARU.**