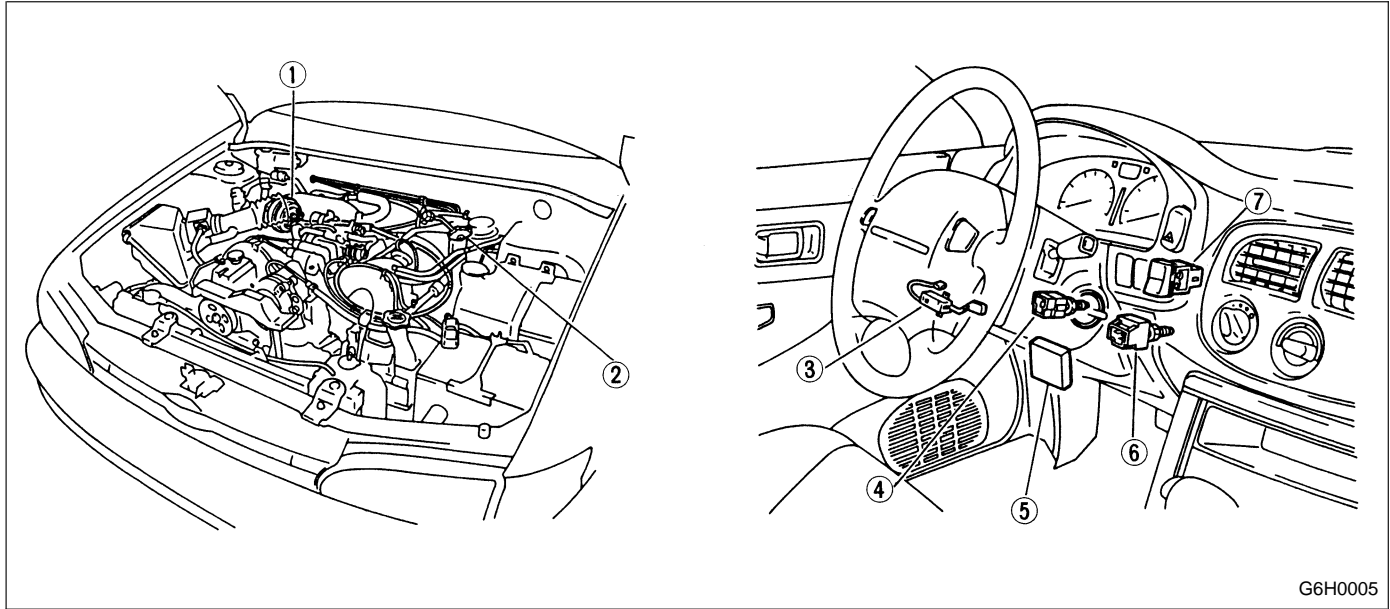


2. Electrical Unit Location



G6H0005

- ① Actuator
- ② Inhibitor switch
- ③ Sub switch
- ④ Clutch switch

- ⑤ Control module
- ⑥ Stop and brake switch
- ⑦ Main switch