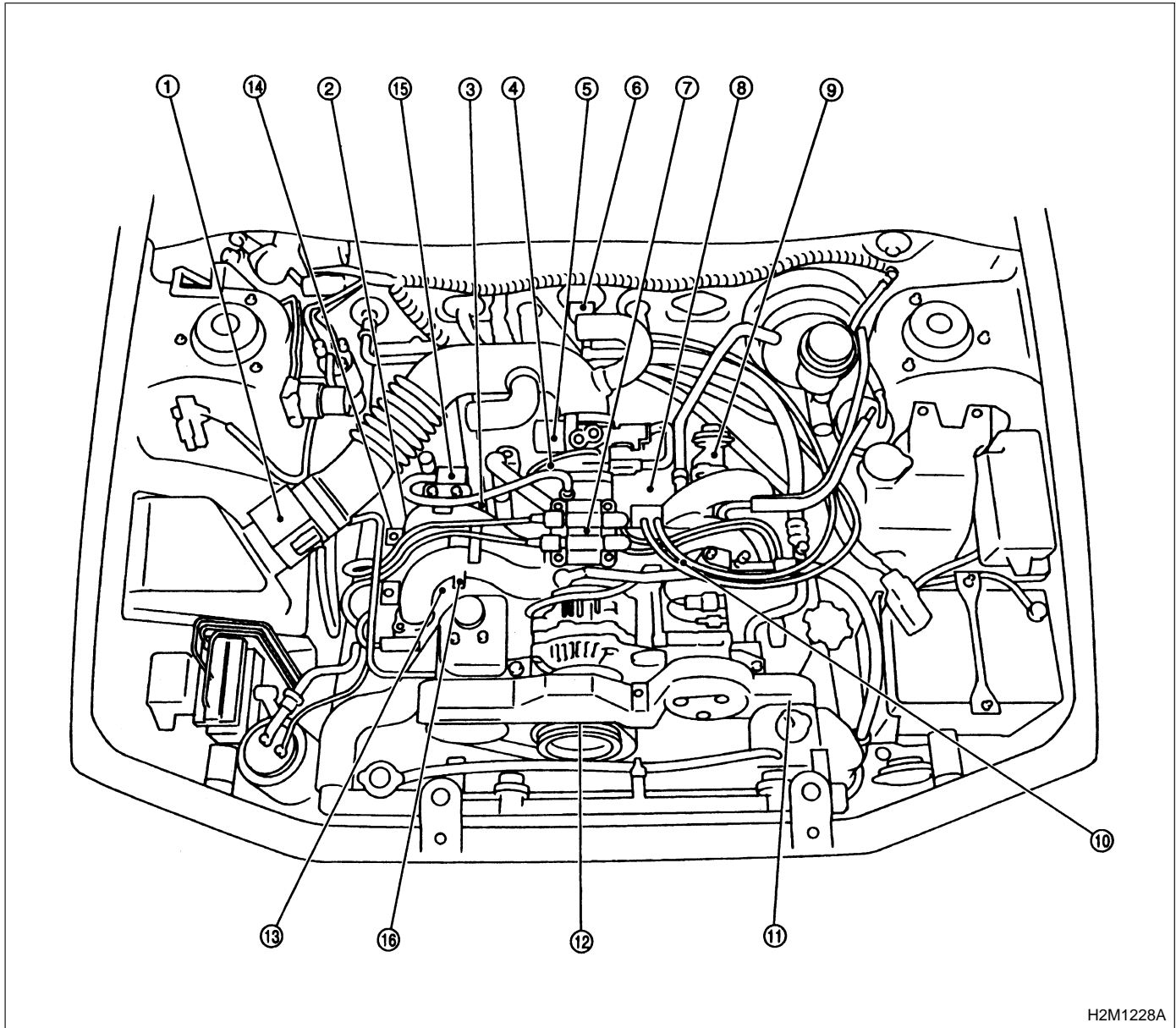


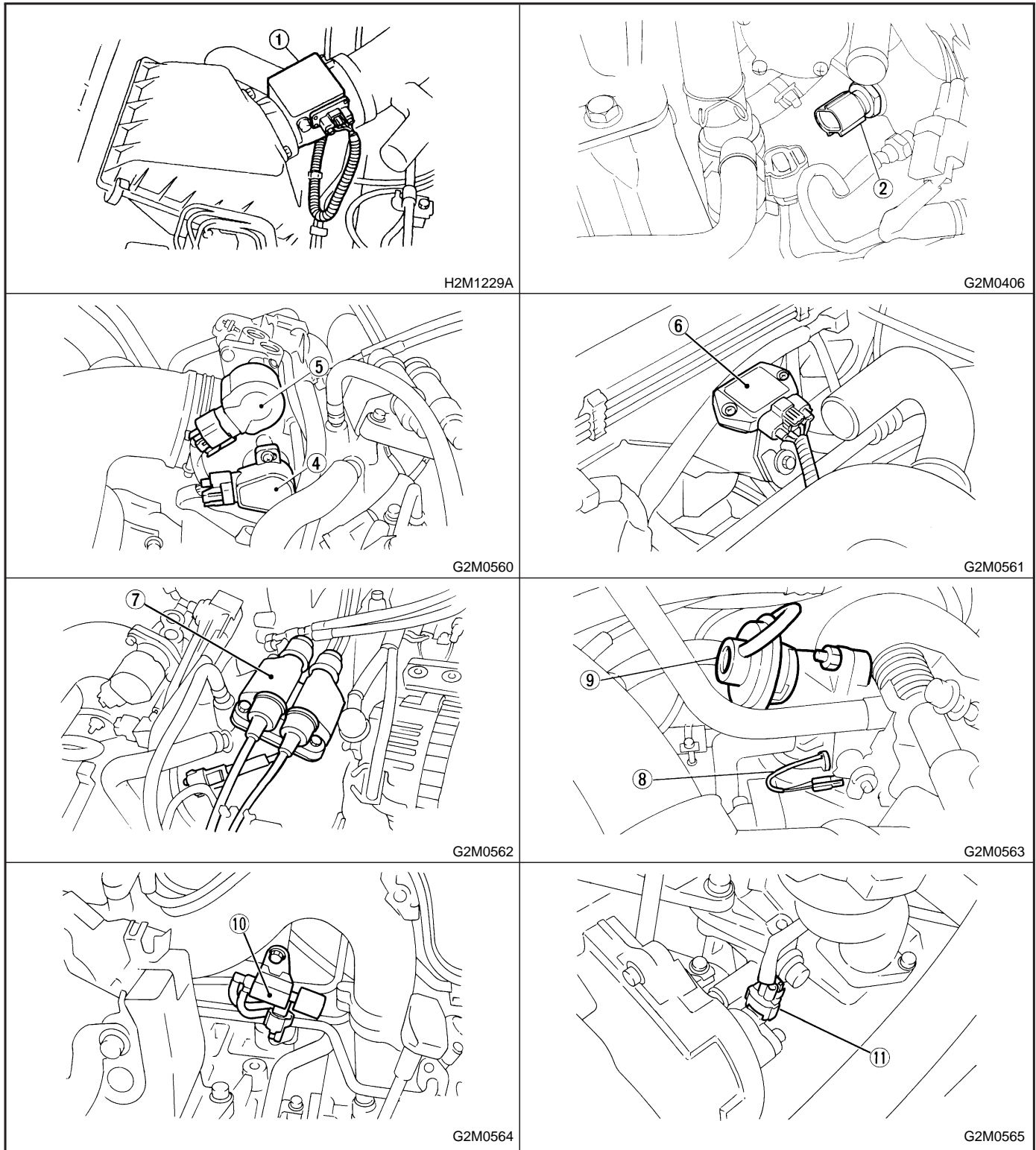
4. Electrical Unit Location

1. SENSOR AND SOLENOID VALVE

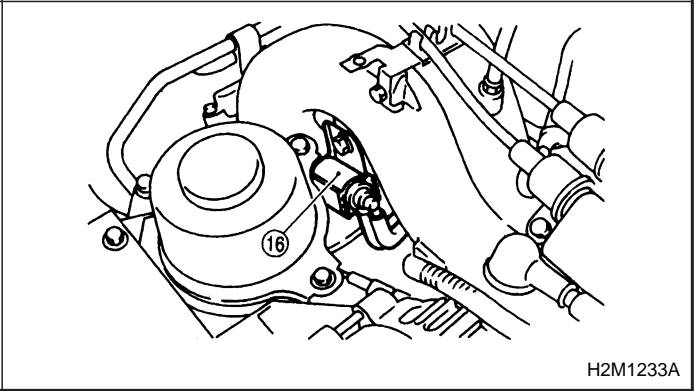
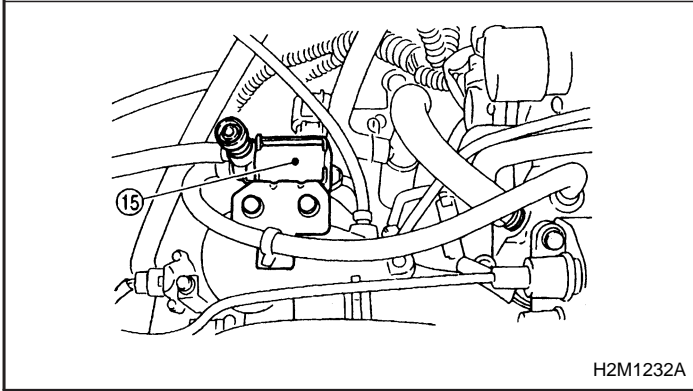
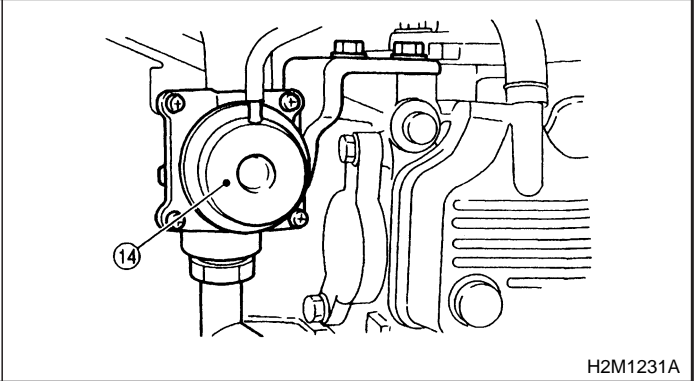
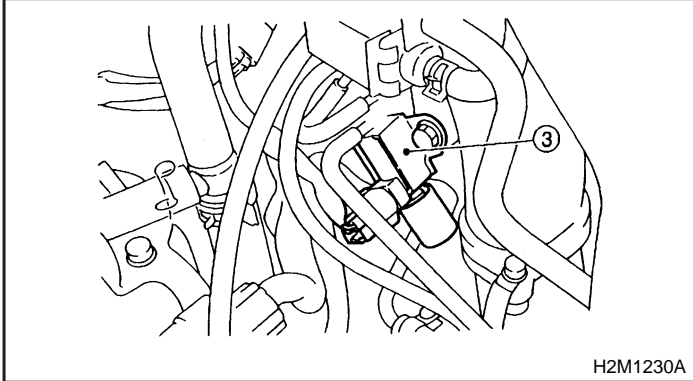
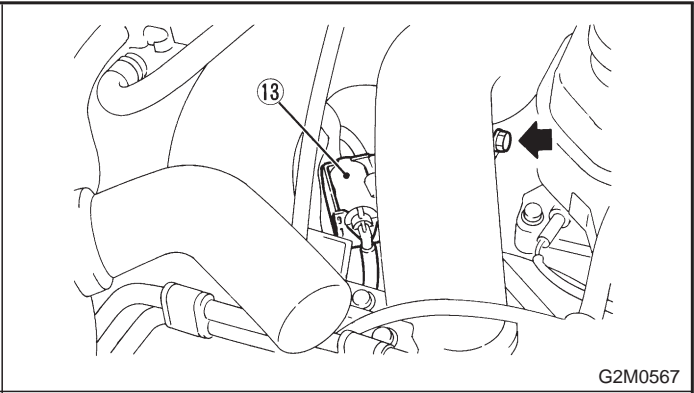
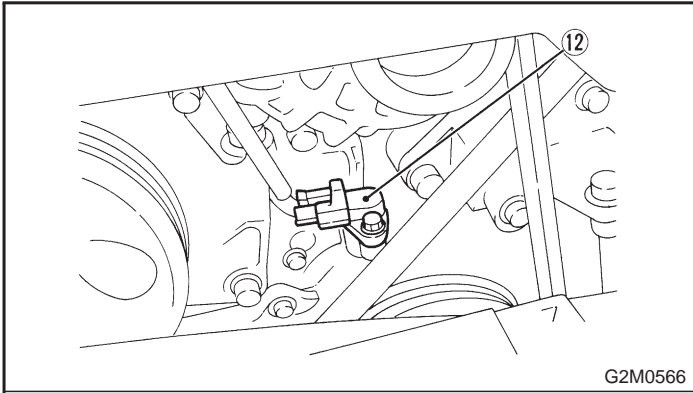


H2M1228A

- | | |
|--|---|
| ① Mass air flow sensor | ⑨ EGR valve |
| ② Engine coolant temperature sensor | ⑩ EGR solenoid valve |
| ③ Air suction solenoid valve | ⑪ Camshaft position sensor |
| ④ Throttle position sensor | ⑫ Crankshaft position sensor |
| ⑤ Idle air control solenoid valve | ⑬ Purge control solenoid valve |
| ⑥ Ignitor | ⑭ Air suction valve |
| ⑦ Ignition coil | ⑮ FICD solenoid valve (With A/C model) |
| ⑧ Recirculation gas temperature sensor | ⑯ Purge control solenoid valve (California FWD model) |



4. Electrical Unit Location

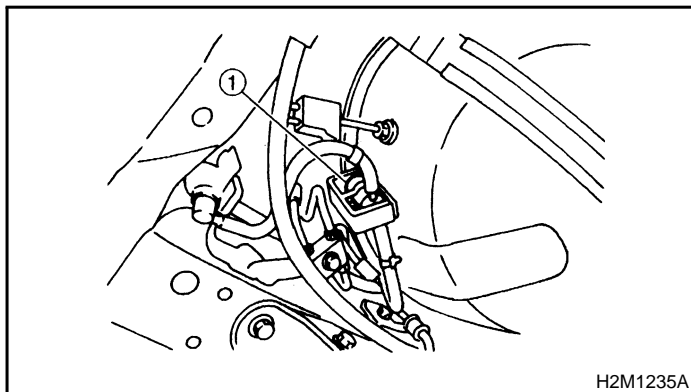




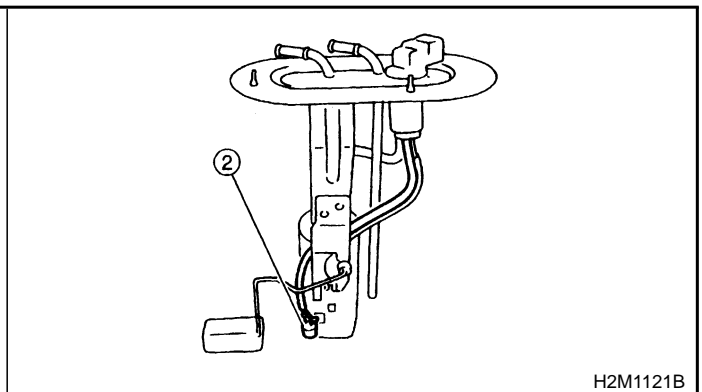
H2M1234A

- ① Fuel tank pressure control solenoid valve
- ② Fuel temperature sensor

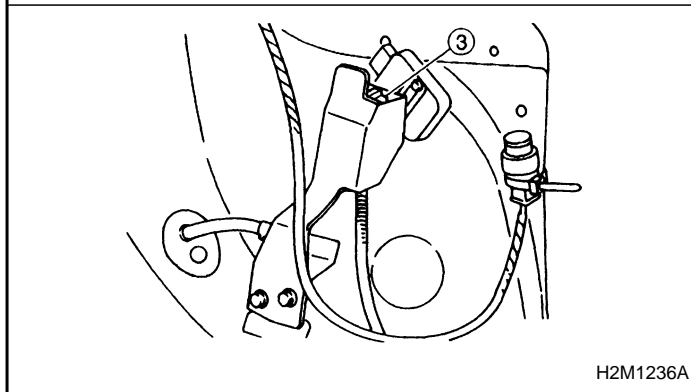
- ③ Fuel tank pressure sensor



H2M1235A



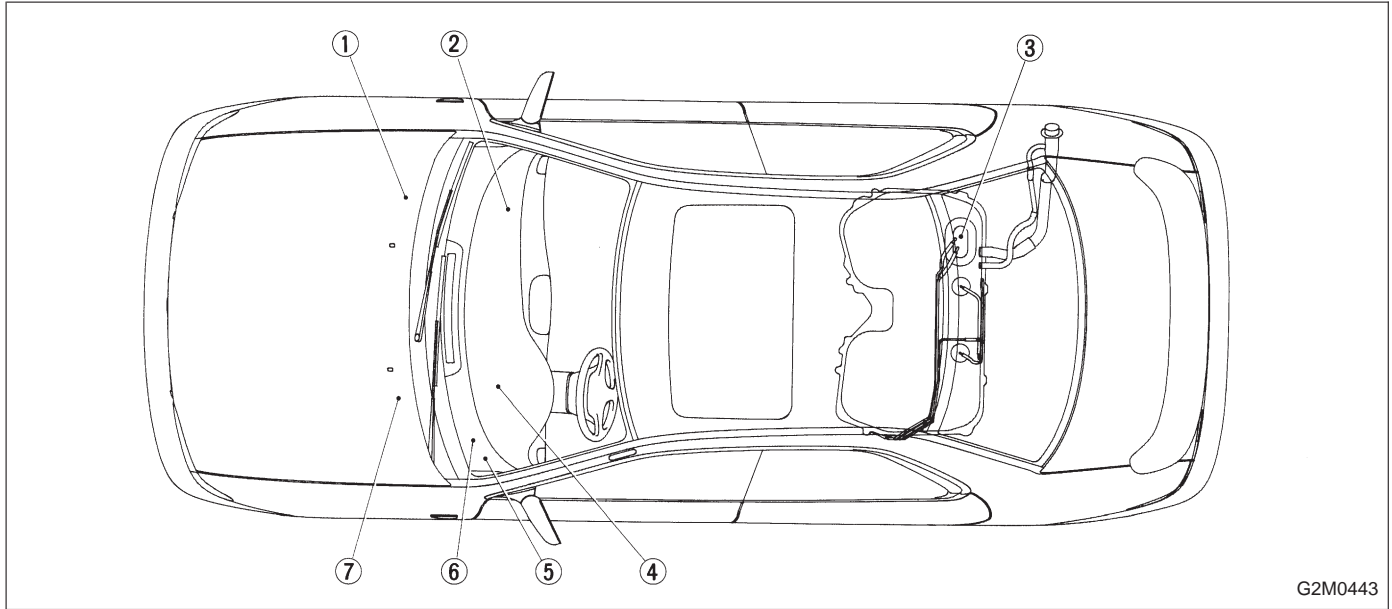
H2M1121B



H2M1236A

SUBARU.

2. MODULE AND RELAY



- ① Inhibitor switch
- ② ECM
- ③ Fuel pump
- ④ TCM
- ⑤ Main relay

- ⑥ Fuel pump relay
- ⑦ Starter
- ⑧ Read memory connector
- ⑨ Test mode connector
- ⑩ Data link connector

