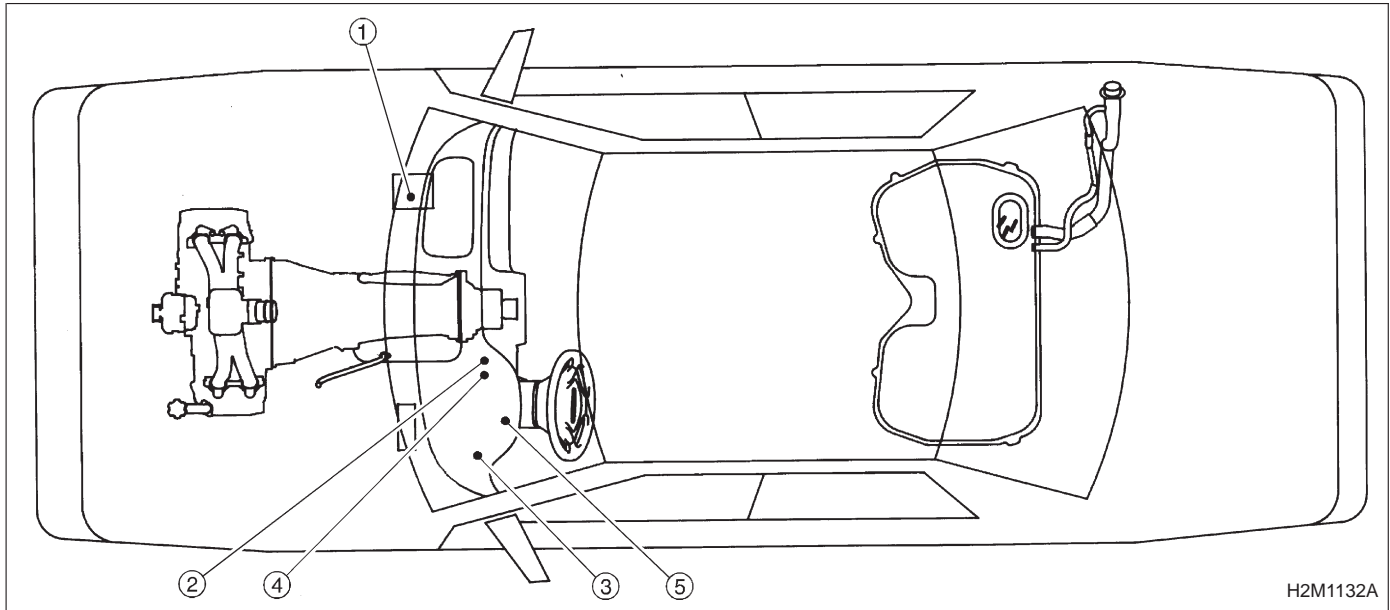


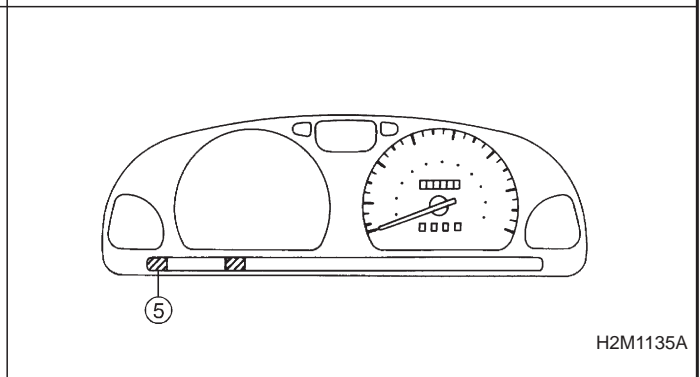
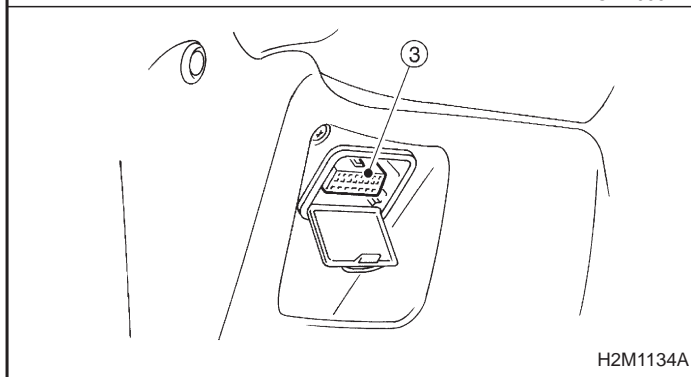
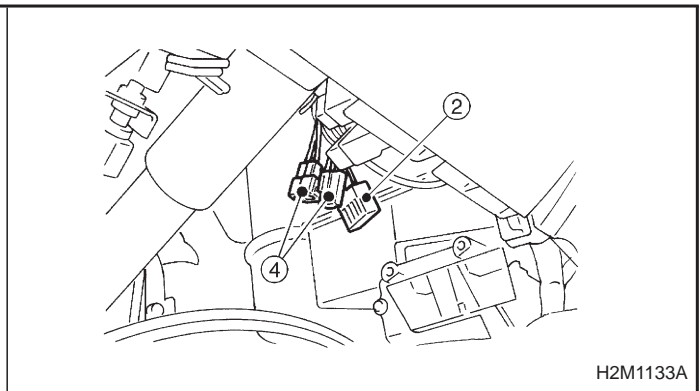
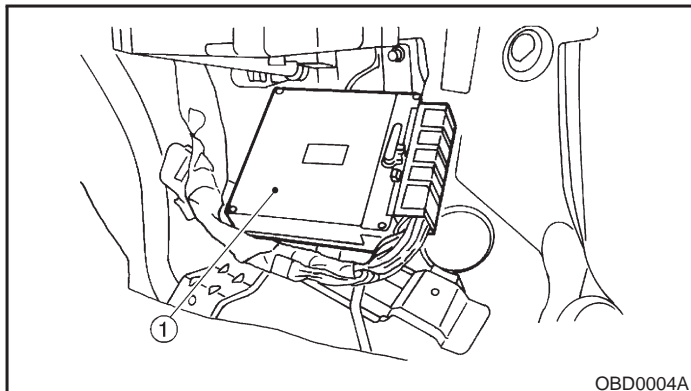
2. Electrical Components Location

A: ENGINE

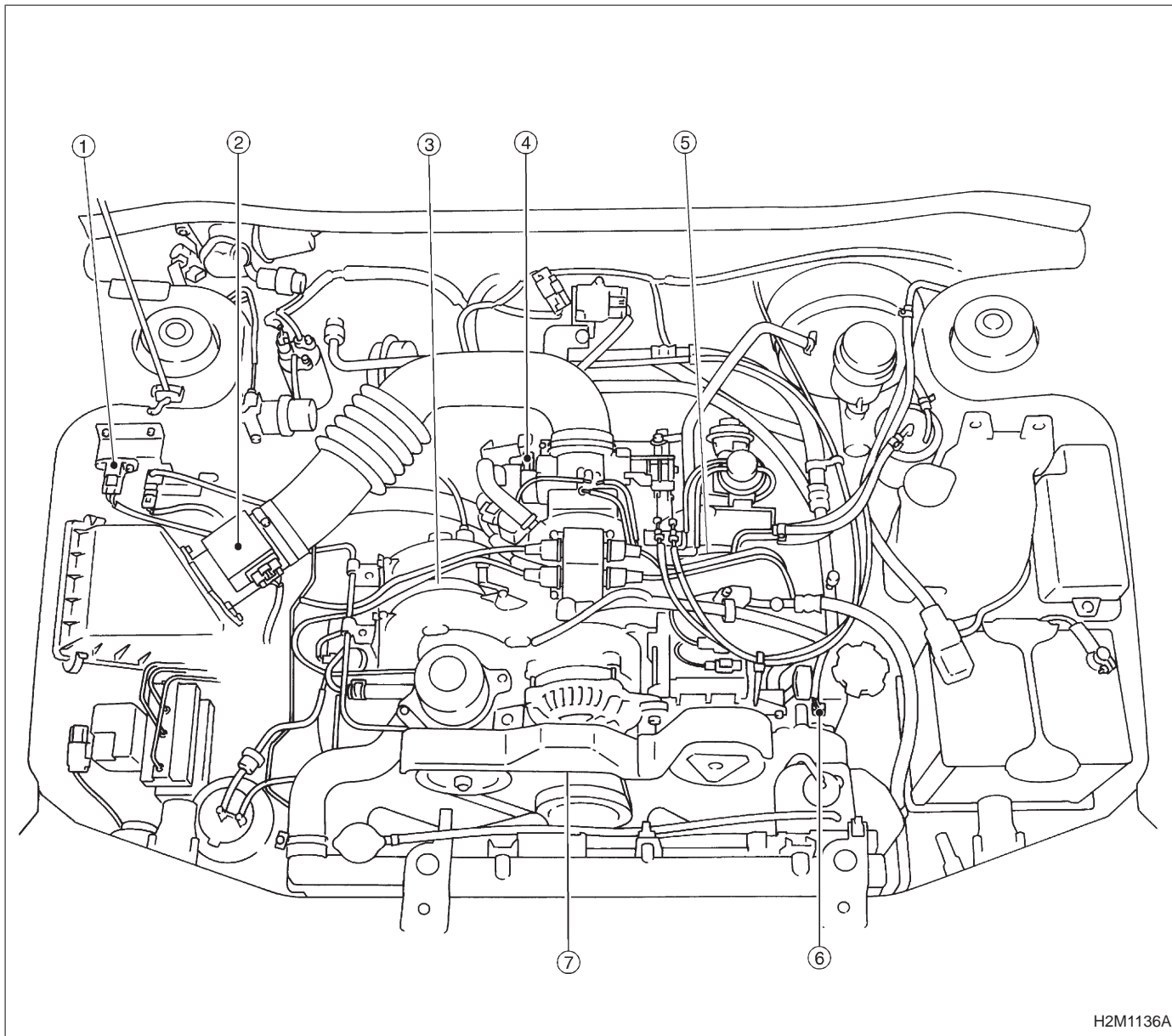
1. MODULE



- ① Engine control module (ECM)
- ② Data link connector (for Subaru select monitor only)
- ③ Data link connector (for Subaru select monitor and OBD-II general scan tool)
- ④ Test mode connector
- ⑤ CHECK ENGINE malfunction indicator lamp (MIL)



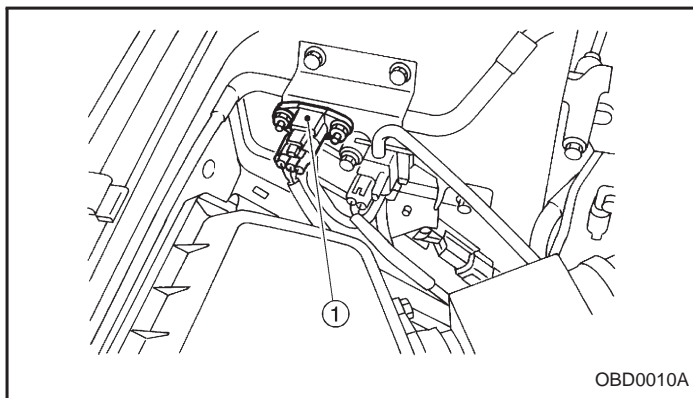
2. SENSOR



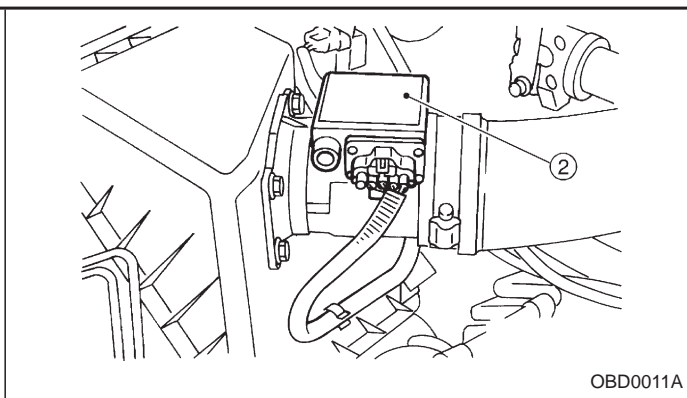
H2M1136A

- ① Pressure sensor
- ② Mass air flow sensor
- ③ Engine coolant temperature sensor
- ④ Throttle position sensor

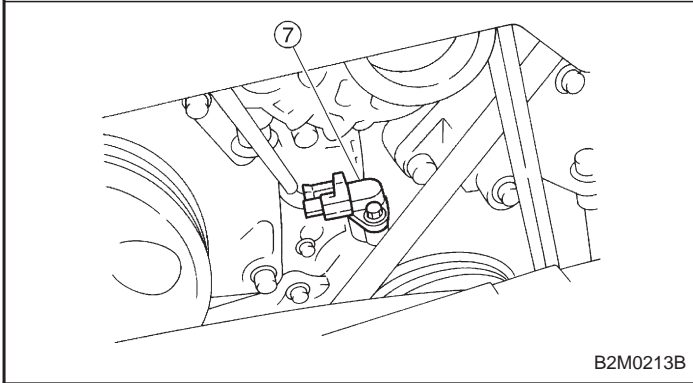
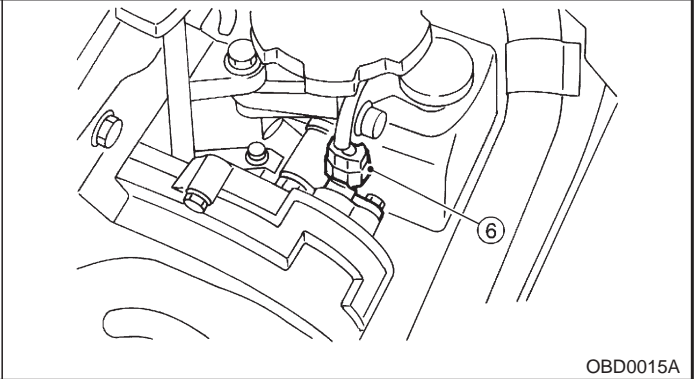
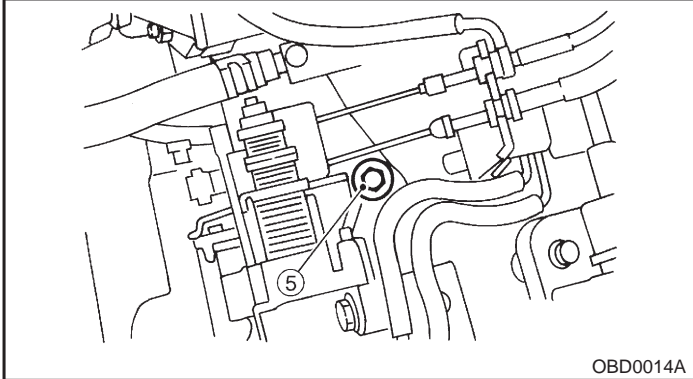
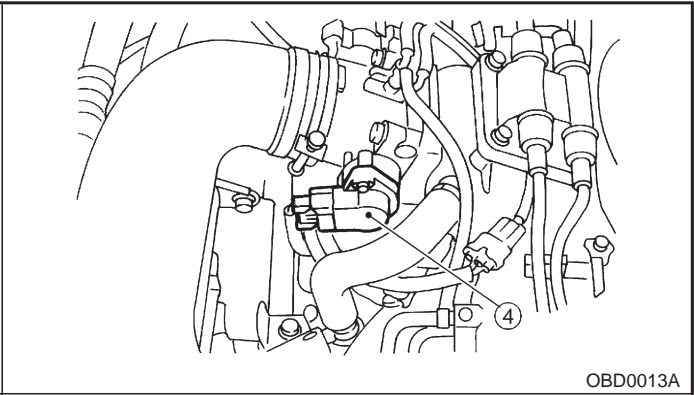
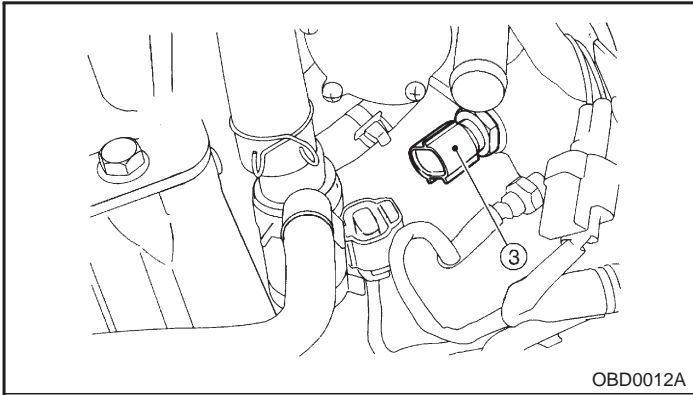
- ⑤ Knock sensor
- ⑥ Camshaft position sensor
- ⑦ Crankshaft position sensor

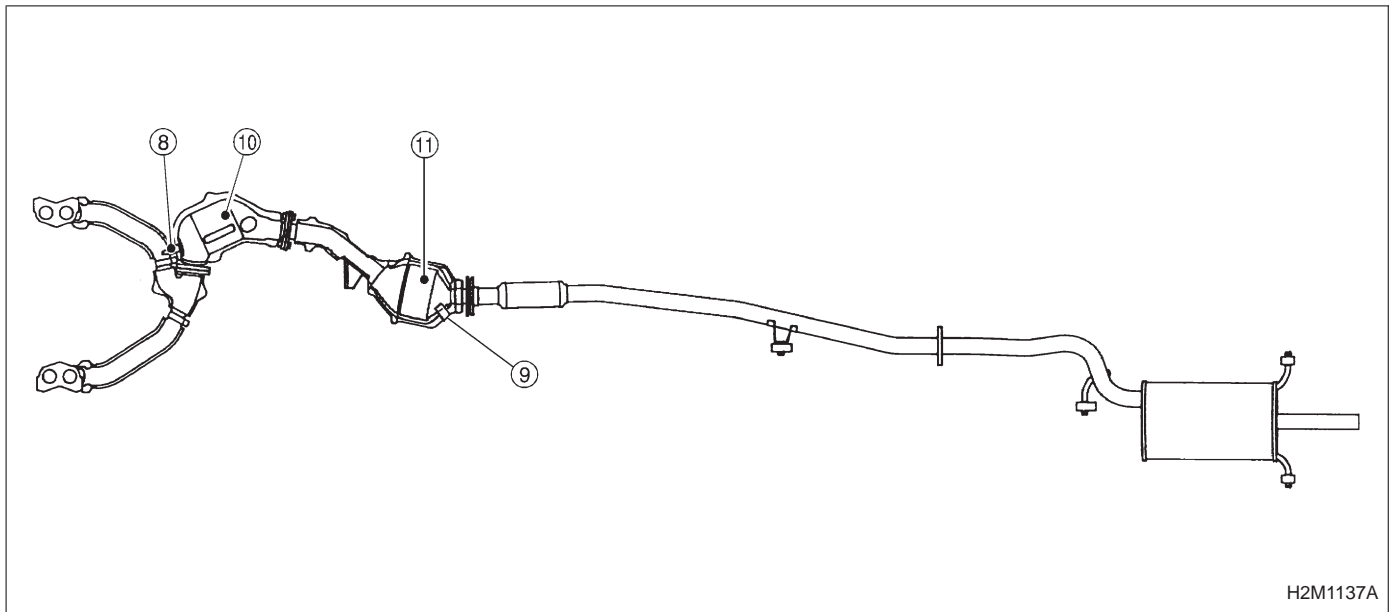


OBD0010A



OBD0011A

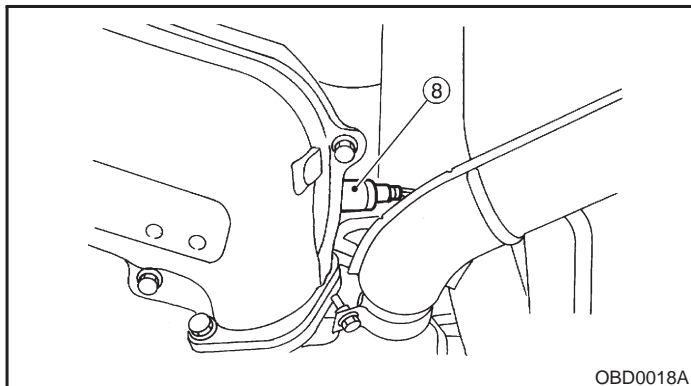




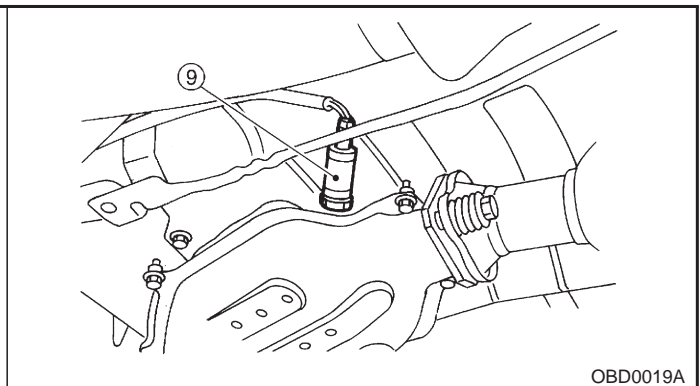
H2M1137A

- ⑧ Front oxygen sensor
- ⑨ Rear oxygen sensor

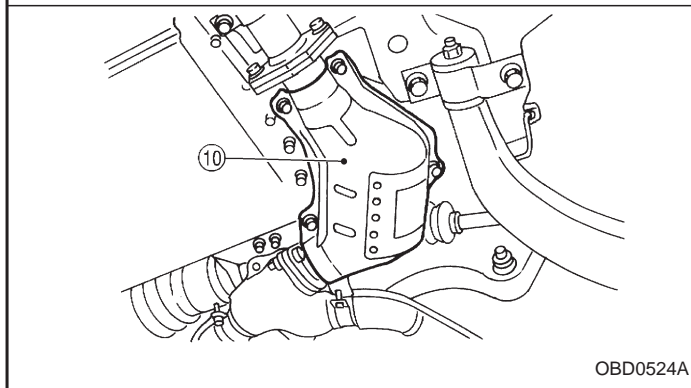
- ⑩ Front catalytic converter
- ⑪ Rear catalytic converter



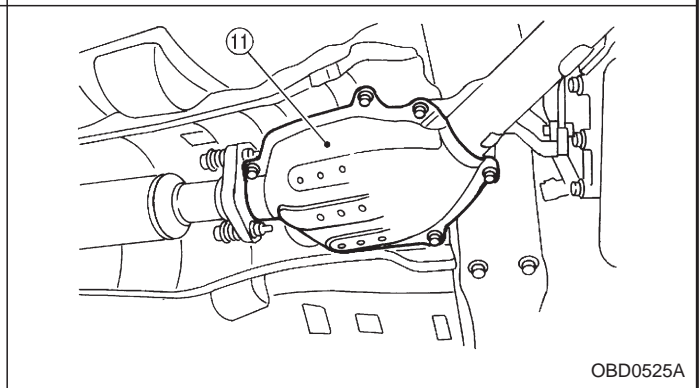
OBD0018A



OBD0019A

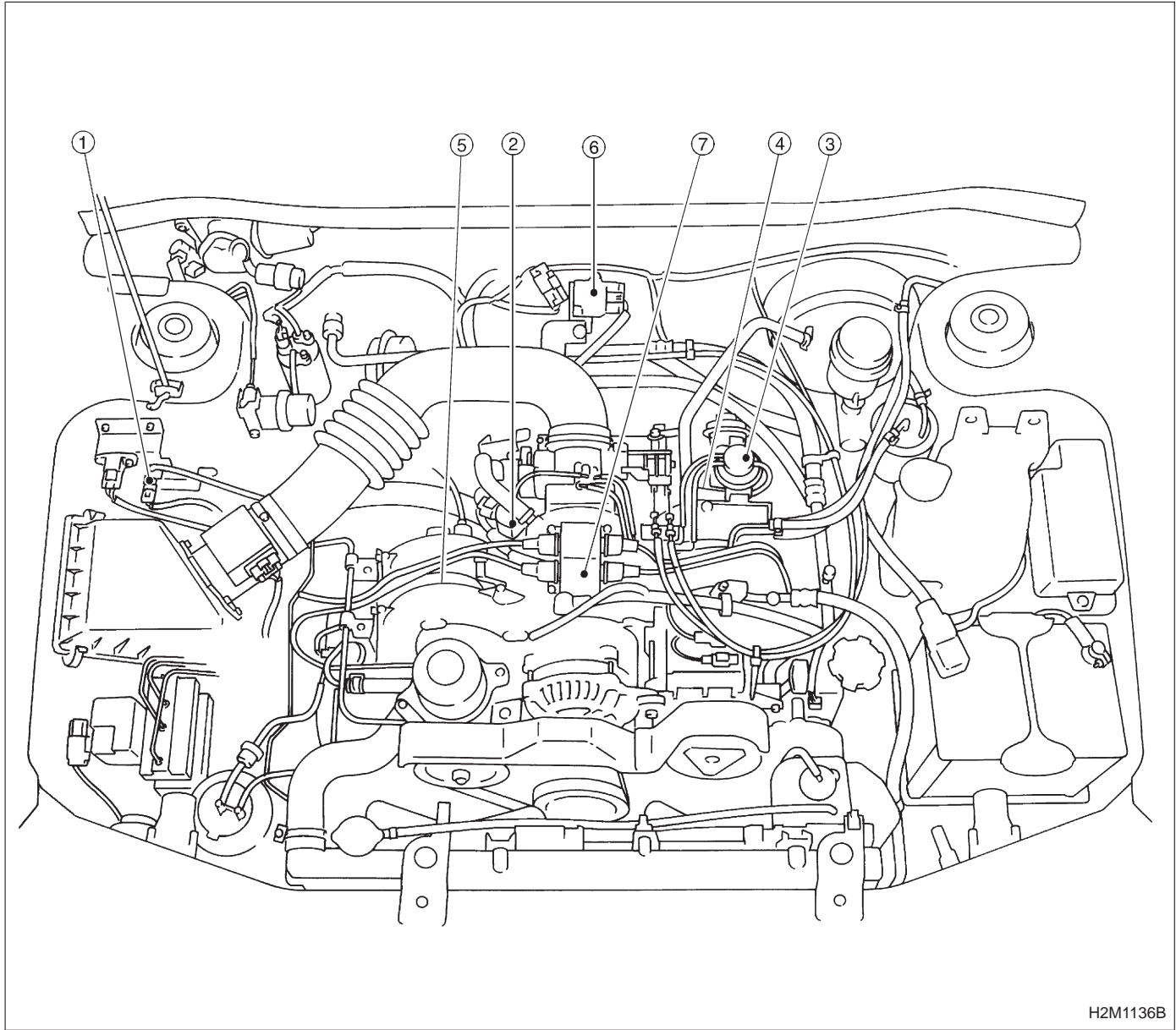


OBD0524A



OBD0525A

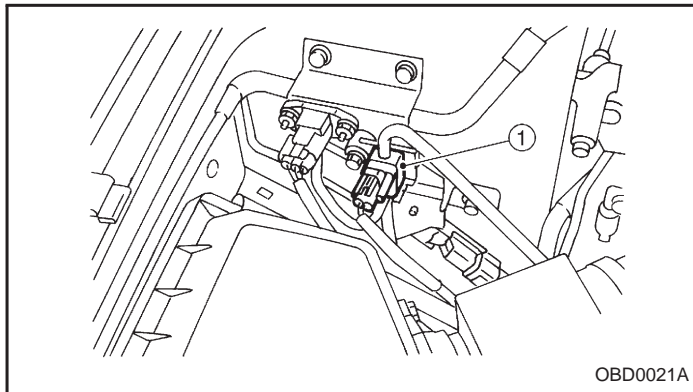
3. SOLENOID VALVE, EMISSION CONTROL SYSTEM PARTS AND IGNITION SYSTEM PARTS



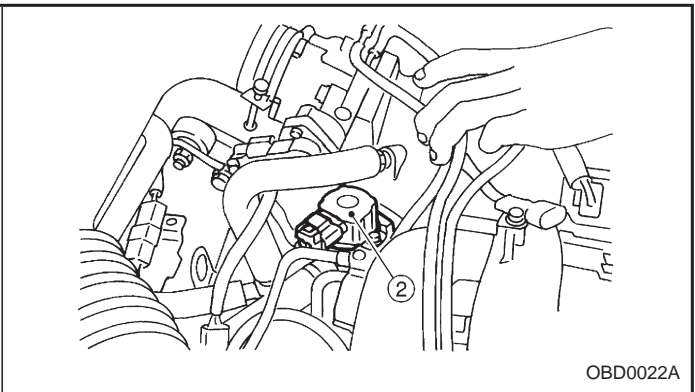
H2M1136B

- ① Pressure sources switching solenoid valve
- ② Idle air control solenoid valve
- ③ EGR valve
- ④ EGR control solenoid valve

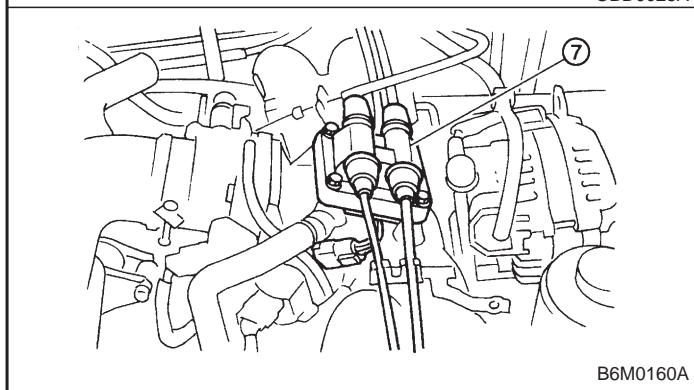
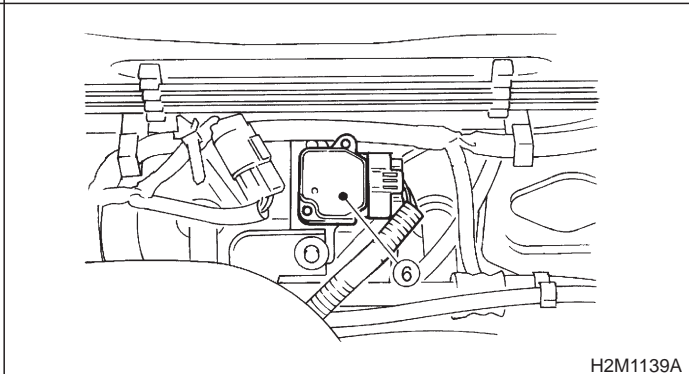
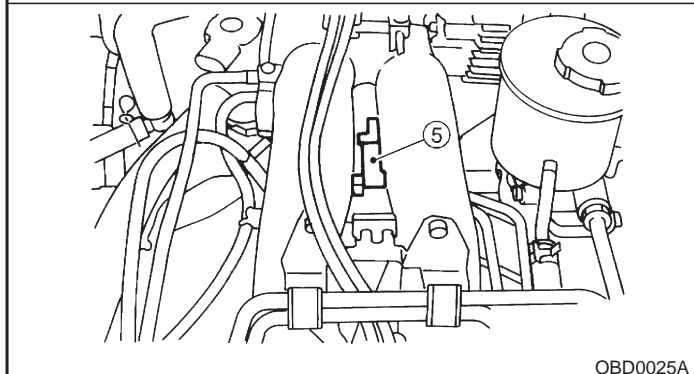
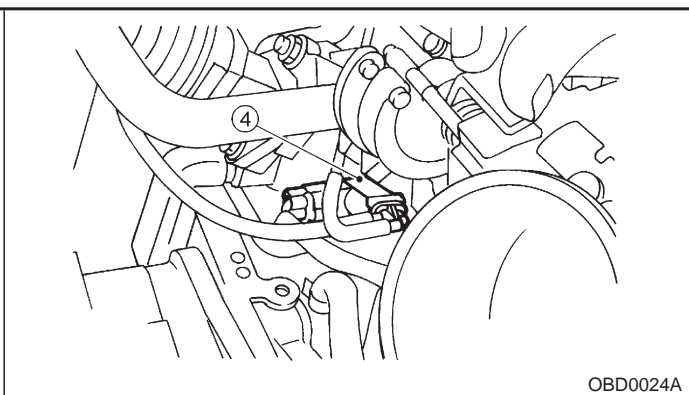
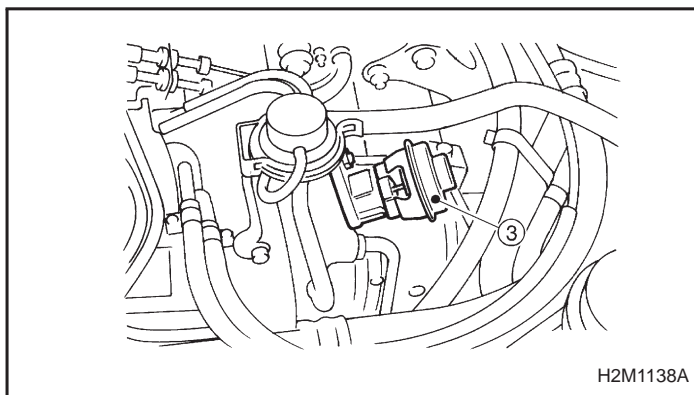
- ⑤ Purge control solenoid valve
- ⑥ Ignitor
- ⑦ Ignition coil



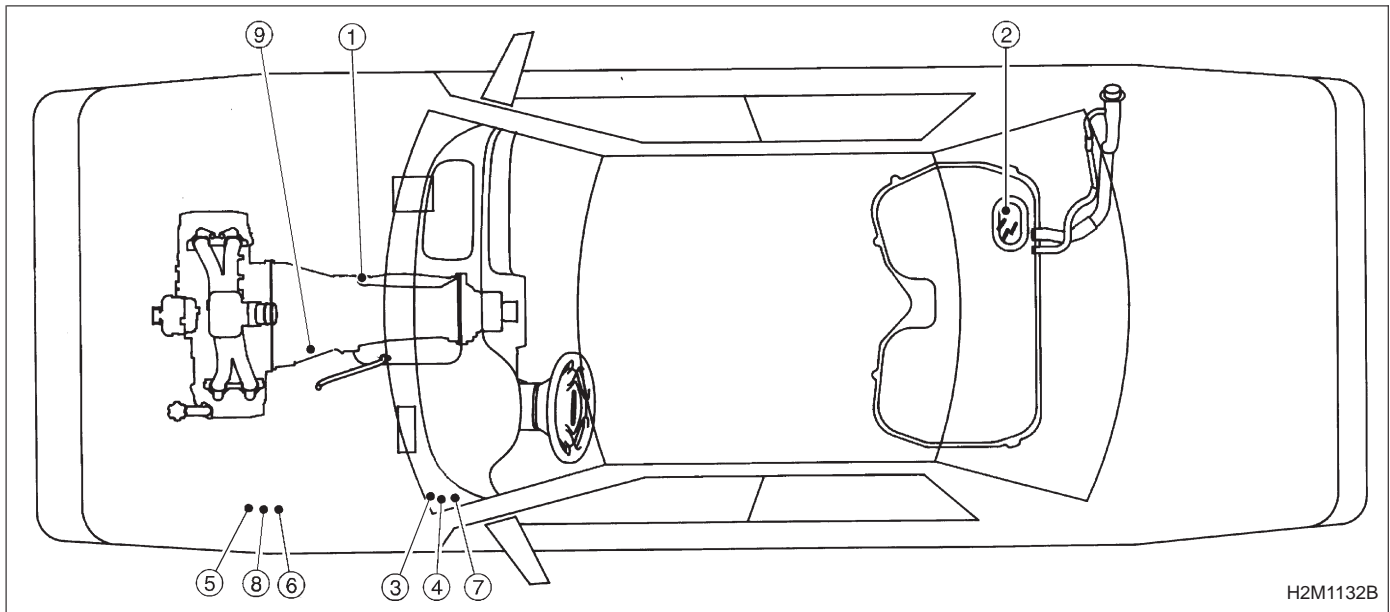
OBD0021A



OBD0022A

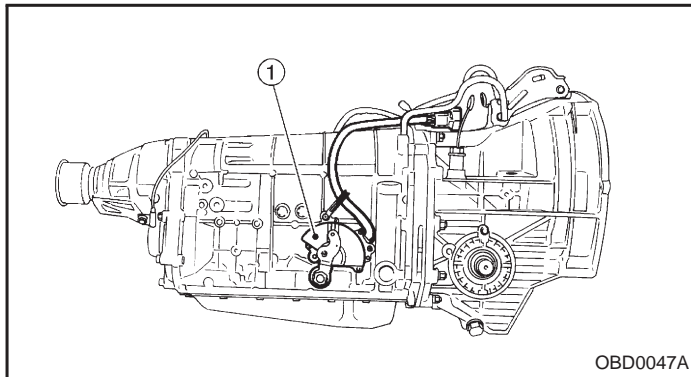


2. Electrical Components Location

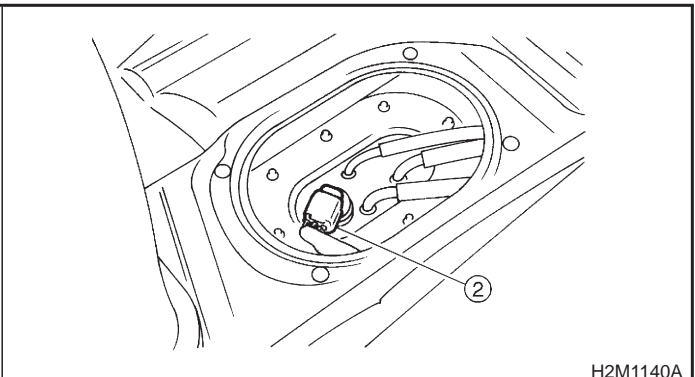


H2M1132B

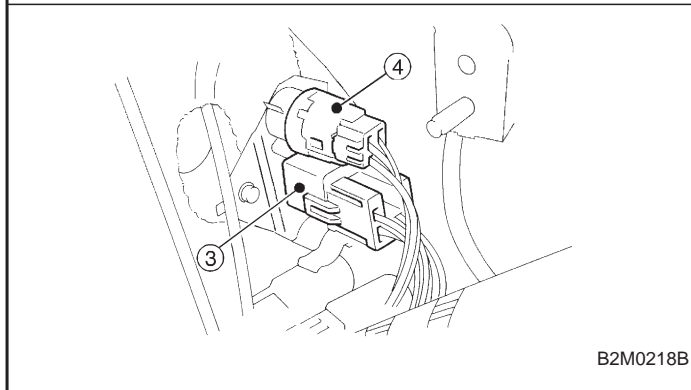
- ① Inhibitor switch
- ② Fuel pump
- ③ Main relay
- ④ Fuel pump relay
- ⑤ Radiator sub fan relay 2 (With A/C models only)
- ⑥ Radiator sub fan relay 1 (With A/C models only)
- ⑦ Main fan relay
- ⑧ Radiator main fan relay 2 (With A/C models only)
- ⑨ Starter



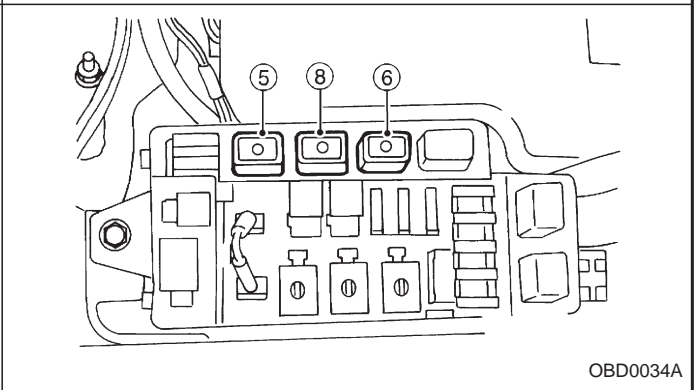
OBD0047A



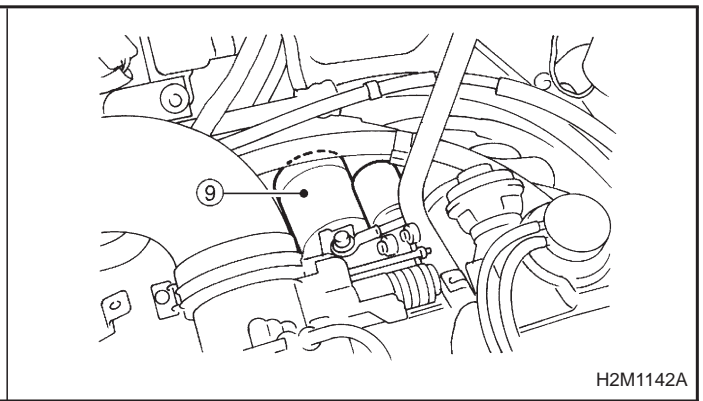
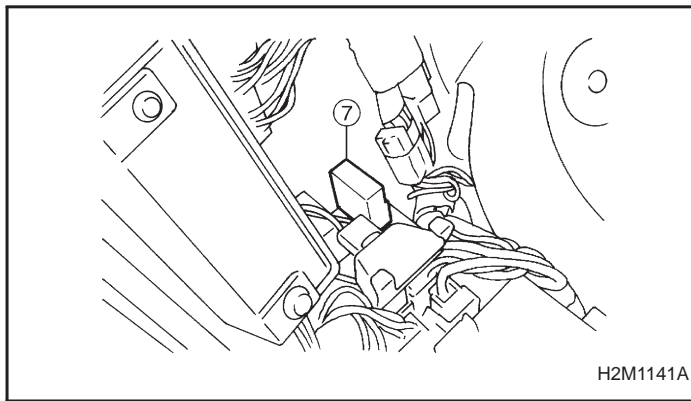
H2M1140A



B2M0218B

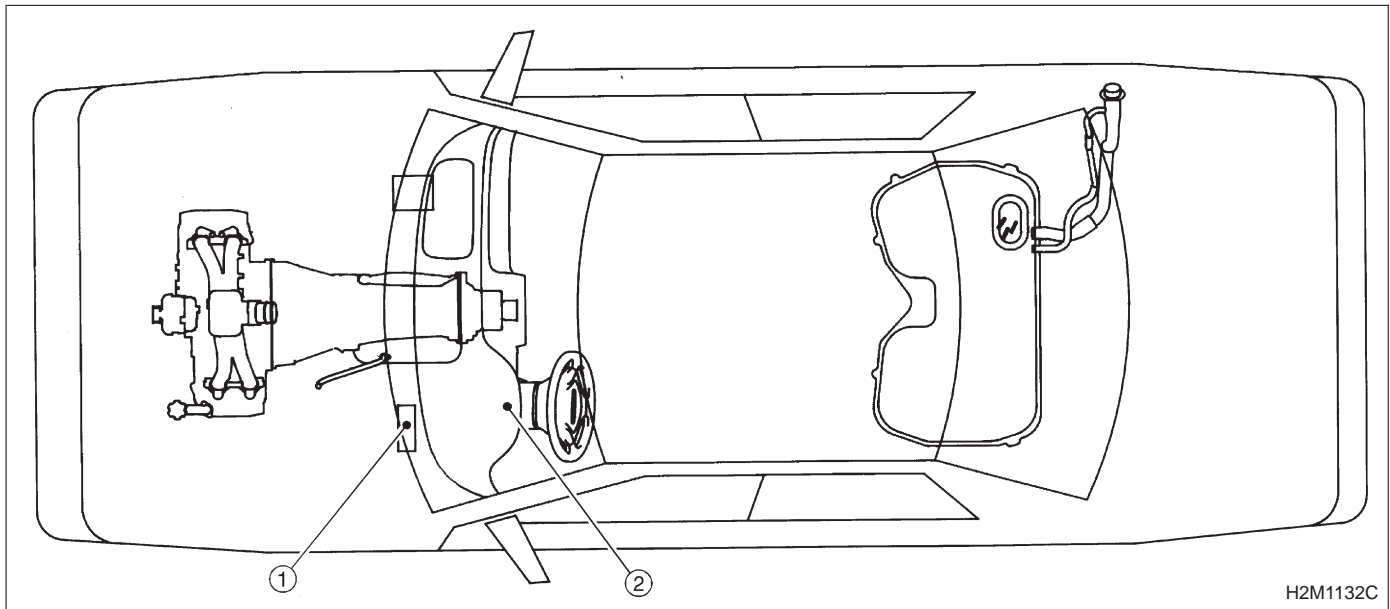


OBD0034A



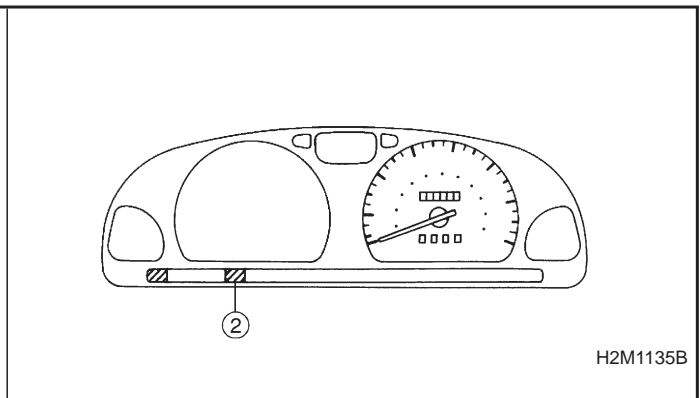
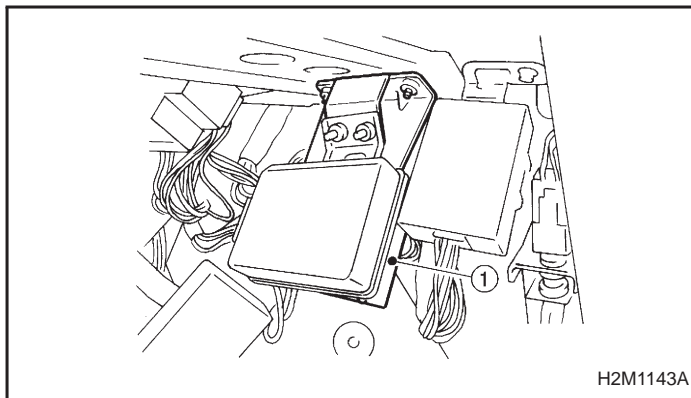
B: TRANSMISSION

1. MODULE

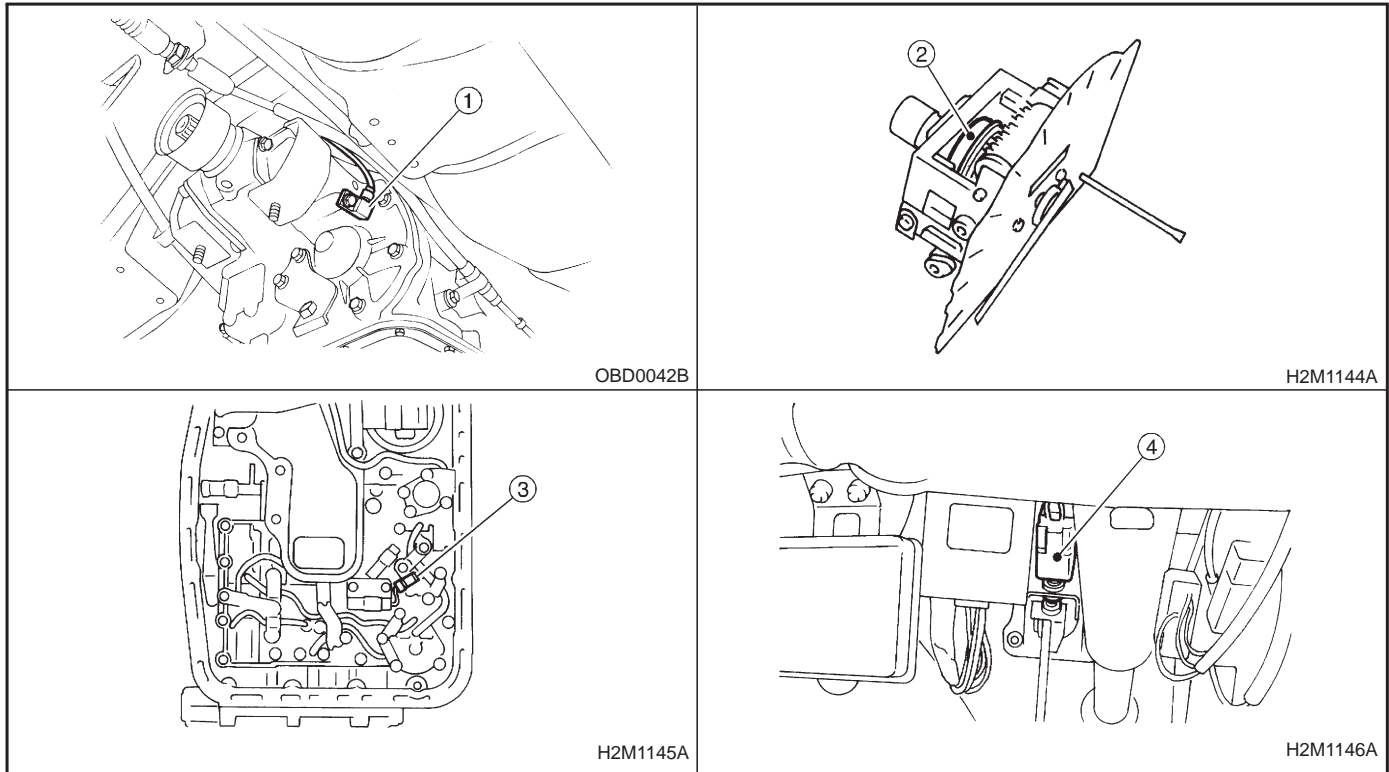


① Transmission Control Module (TCM)

② AT diagnostic indicator light



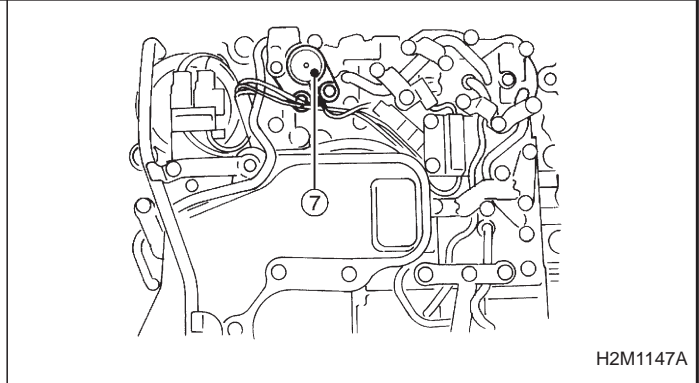
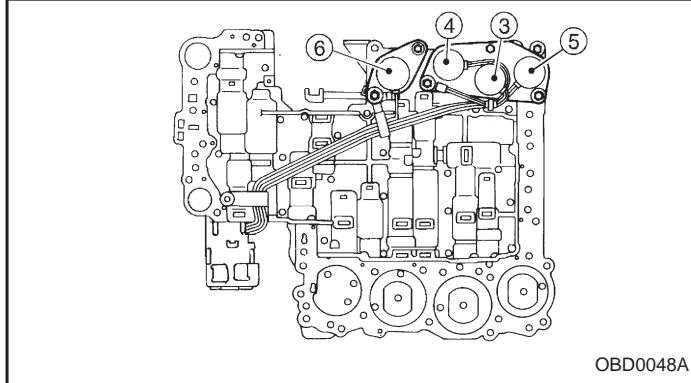
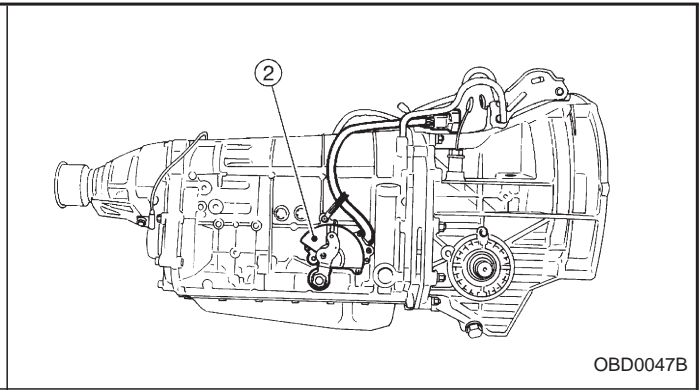
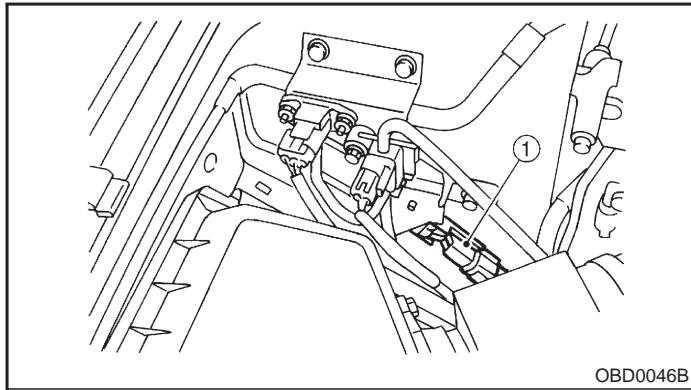
2. SENSOR



- ① Vehicle speed sensor 1
- ③ ATF temperature sensor

- ② Vehicle speed sensor 2
- ④ Brake light switch

3. SOLENOID VALVE AND RELAY



- ① Dropping resistor
- ② Inhibitor switch
- ③ Shift solenoid valve 1
- ④ Shift solenoid valve 2

- ⑤ Shift solenoid valve 3
- ⑥ Duty solenoid valve A
- ⑦ Duty solenoid valve B