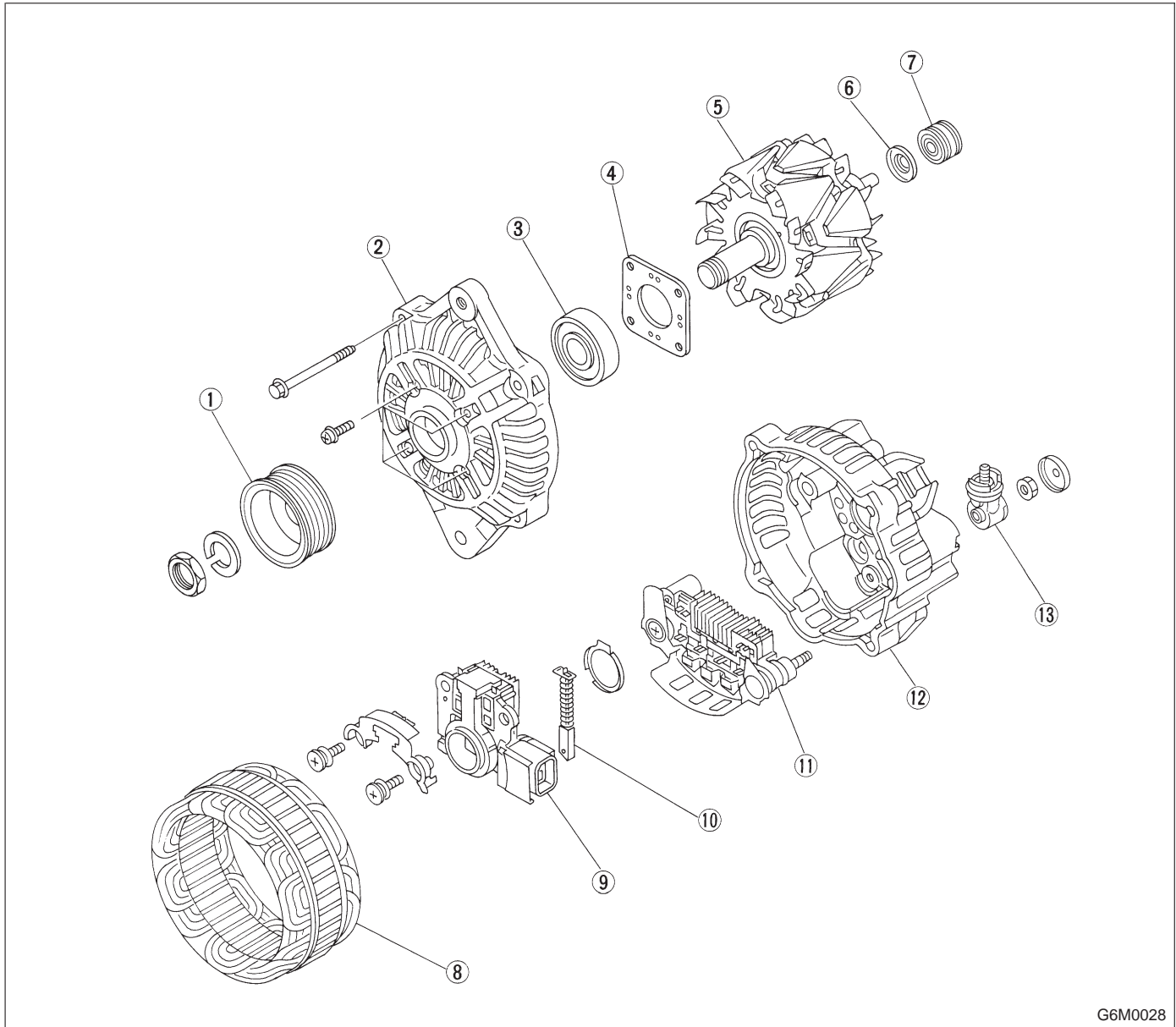


2. Generator



G6M0028

- | | | |
|--------------------|----------------|----------------|
| ① Pulley | ⑥ Holder | ⑩ Brush |
| ② Front cover | ⑦ Bearing | ⑪ IC regulator |
| ③ Ball bearing | ⑧ Stator coil | ⑫ Rear cover |
| ④ Bearing retainer | ⑨ Brush holder | ⑬ Terminal |
| ⑤ Rotor | | |