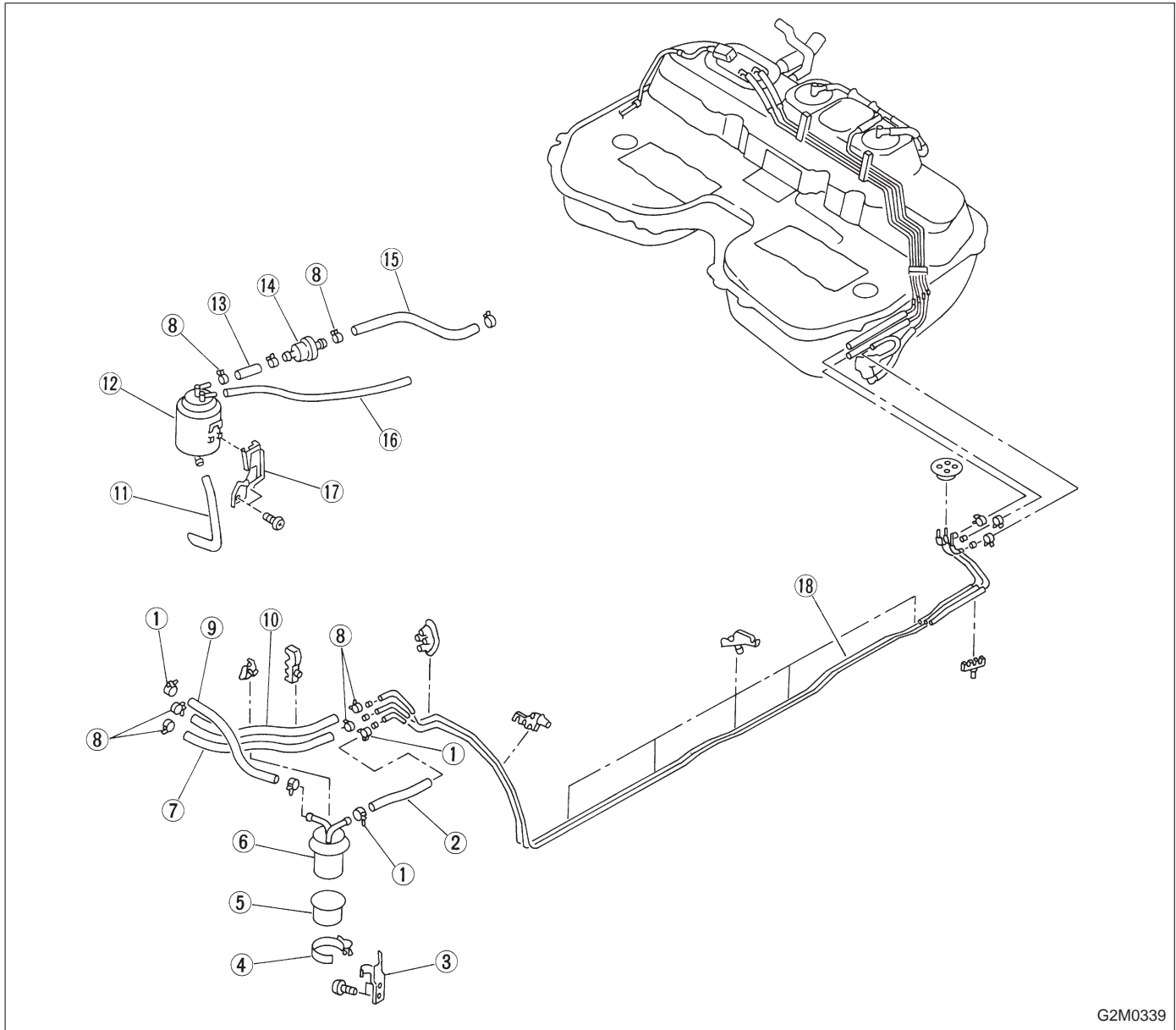


2. Fuel Line

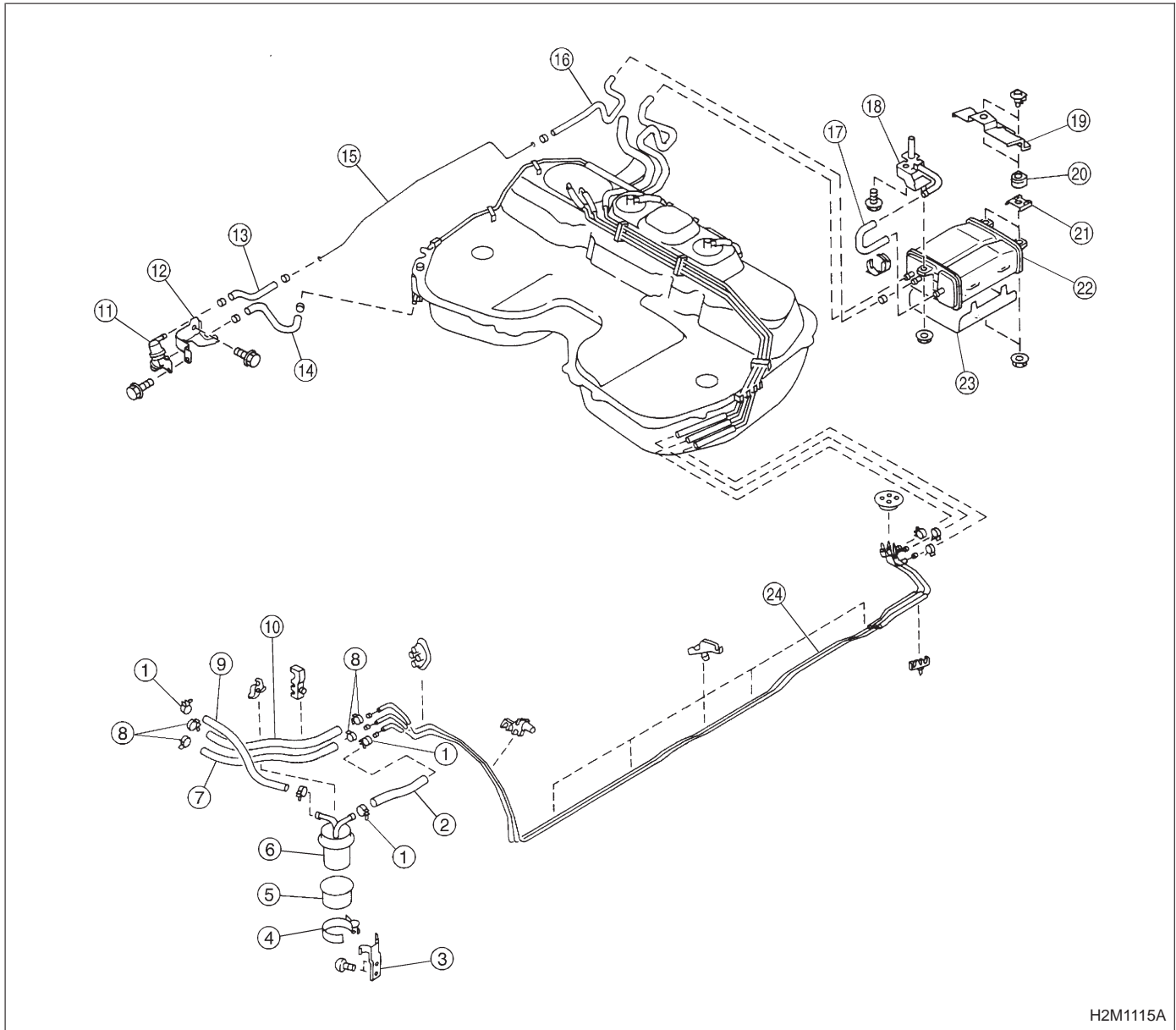
1. FWD (EXCEPT CALIFORNIA) AND AWD MODEL



G2M0339

- | | |
|------------------------|--------------------|
| ① Clamp | ⑩ Fuel return hose |
| ② Fuel delivery hose A | ⑪ Air vent hose |
| ③ Fuel filter bracket | ⑫ Canister |
| ④ Fuel filter holder | ⑬ Canister hose A |
| ⑤ Fuel filter cup | ⑭ Two-way valve |
| ⑥ Fuel filter | ⑮ Canister hose B |
| ⑦ Evaporation hose | ⑯ Canister hose C |
| ⑧ Clip | ⑰ Canister bracket |
| ⑨ Fuel delivery hose B | ⑱ Fuel pipe ASSY |

2. CALIFORNIA FWD MODEL



H2M1115A

- | | | |
|------------------------|---------------------------|--------------------------|
| ① Clamp | ⑨ Fuel delivery hose B | ⑰ Canister hose B |
| ② Fuel delivery hose A | ⑩ Fuel return hose | ⑱ Canister holder |
| ③ Fuel filter bracket | ⑪ Roll over valve | ⑲ Canister upper bracket |
| ④ Fuel filter holder | ⑫ Roll over valve bracket | ⑳ Cushion rubber |
| ⑤ Fuel filter cup | ⑬ Evaporation hose H | ㉑ Canister lower bracket |
| ⑥ Fuel filter | ⑭ Evaporation hose I | ㉒ Canister |
| ⑦ Evaporation hose | ⑮ Evaporation pipe B | ㉓ Canister cover |
| ⑧ Clip | ⑯ Canister hose A | ㉔ Fuel pipe ASSY |